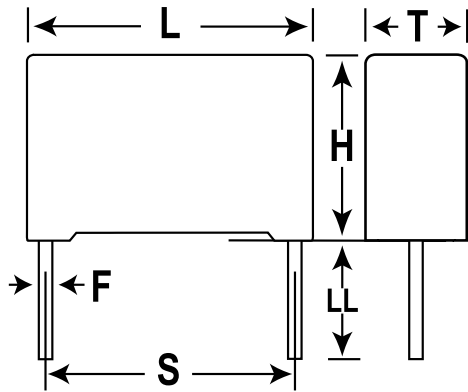


Film, Double Metallized Polypropylene, Commercial Grade, R76, 4700 pF, 5%, 1,600 V, 85C, Lead Spacing = 15mm



General Information	
Dielectric:	Double Metallized Polypropylene
Style:	Radial
Series:	R76
Features:	Pulse
RoHS:	Yes
Lead:	Cut
Approvals:	AEC-Q200
AEC-Q200:	Yes
Miscellaneous:	Voltage Derating: 1.35%/C Above 75C (AC), 1.25%/C Above 85C (DC)

Dimensions	
L	18mm +0.3mm
H	11mm +0.1mm
T	5mm +0.2mm
S	15mm +/-0.4mm
LL	4mm +1.5mm
F	0.8mm +/-0.05mm

Specifications	
Capacitance:	4700 pF
Capacitance Tolerance:	5%
Voltage DC:	1600 VDC
Voltage AC:	650 VAC
Temperature Range:	-55/+105C
Rated Temperature:	85C
Dissipation Factor:	0.1% 1kHz, 0.06% 10kHz, 0.1% 100kHz
Insulation Resistance:	100 GOhms
Max dV/dt:	6,000 V
Inductance:	10 nH

Packaging Specifications	
Packaging:	Bulk
Packaging Quantity:	2000