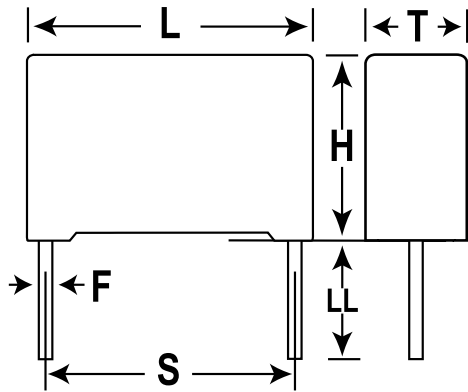


R76, Film, Double Metallized Polypropylene, Commercial Grade, 1000 pF, 5%, 1,000 V, 85C, Lead Spacing = 10mm



Dimensions	
L	13mm +0.2mm
H	9mm +0.1mm
T	4mm +0.2mm
S	10mm +/-0.4mm
LL	4mm +1.5mm
F	0.6mm +/-0.05mm

Packaging Specifications	
Packaging:	Bulk, Bag
Packaging Quantity:	2000

General Information	
Supplier:	KEMET
Series:	R76
Dielectric:	Double Metallized Polypropylene
Style:	Radial
Features:	Automotive Grade, Pulse
RoHS:	Yes
Lead:	Cut
Approvals:	AEC-Q200
AEC-Q200:	Yes
Miscellaneous:	Voltage Derating: 1.35%/C Above 75C (AC), 1.25%/C Above 85C (DC)

Specifications	
Capacitance:	1000 pF
Capacitance Tolerance:	5%
Voltage DC:	1000 VDC
Voltage AC:	600 VAC
Temperature Range:	-55/+105C
Rated Temperature:	85C
Dissipation Factor:	0.04% 1kHz, 0.06% 10kHz, 0.25% 100kHz
Insulation Resistance:	100 GOhms
Max dVdt:	4,800 V
Inductance:	9 nH