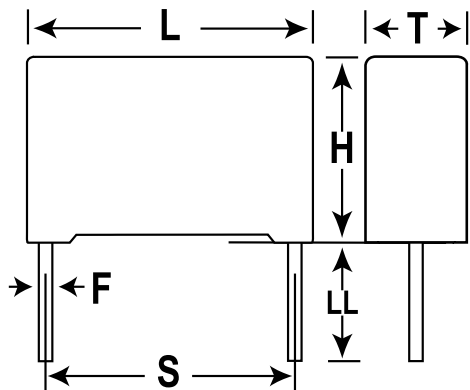


Film, Double Metallized Polypropylene, Commercial Grade, R76, 1 uF, 5%, 630 V, 85C, Lead Spacing = 27.5mm



Dimensions

L	32mm +0.3mm
H	33mm +0.1mm
T	18mm +0.2mm
S	27.5mm +/-0.4mm
LL	30mm +5mm
F	0.8mm +/-0.05mm

Packaging Specifications

Packaging:	Bulk
Packaging Quantity:	128

General Information

Dielectric:	Double Metallized Polypropylene
Style:	Radial
Series:	R76
Features:	Pulse
RoHS:	Yes
Lead:	Wire Leads
Miscellaneous:	Voltage Derating: 1.35%/C Above 75C (AC), 1.25%/C Above 85C (DC)

Specifications

Capacitance:	1 uF
Capacitance Tolerance:	5%
Voltage DC:	630 VDC
Voltage AC:	400 VAC
Temperature Range:	-55/+105C
Rated Temperature:	85C
Dissipation Factor:	0.1% 1kHz, 0.06% 10kHz, 0.1% 100kHz
Insulation Resistance:	30 GOhms
Max dVdt:	900 V
Inductance:	18 nH