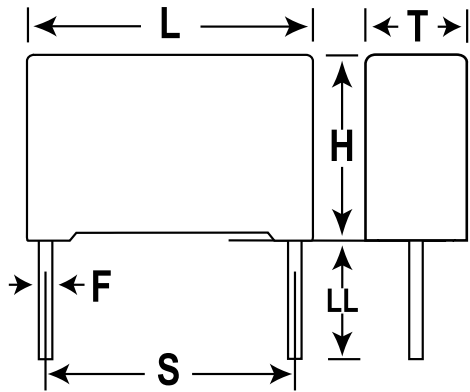


Film, Double Metallized Polypropylene, Commercial Grade, R76, 0.68 uF, 5%, 630 V, 85C, Lead Spacing = 27.5mm



**Dimensions**

L	32mm +0.3mm
H	25mm +0.1mm
T	13mm +0.2mm
S	27.5mm +/-0.4mm
LL	30mm +5mm
F	0.8mm +/-0.05mm

**Packaging Specifications**

<b>Packaging:</b>	Bulk
<b>Packaging Quantity:</b>	288

**General Information**

<b>Dielectric:</b>	Double Metallized Polypropylene
<b>Style:</b>	Radial
<b>Series:</b>	R76
<b>Features:</b>	Pulse
<b>RoHS:</b>	Yes
<b>Lead:</b>	Wire Leads
<b>Miscellaneous:</b>	Voltage Derating: 1.35%/C Above 75C (AC), 1.25%/C Above 85C (DC)

**Specifications**

<b>Capacitance:</b>	0.68 uF
<b>Capacitance Tolerance:</b>	5%
<b>Voltage DC:</b>	630 VDC
<b>Voltage AC:</b>	400 VAC
<b>Temperature Range:</b>	-55/+105C
<b>Rated Temperature:</b>	85C
<b>Dissipation Factor:</b>	0.1% 1kHz, 0.06% 10kHz, 0.1% 100kHz
<b>Insulation Resistance:</b>	44.1176 GOhms
<b>Max dVdt:</b>	900 V
<b>Inductance:</b>	18 nH