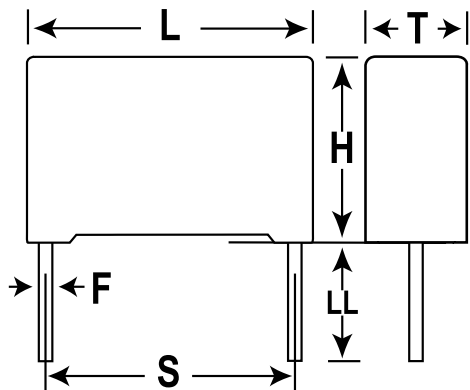


R75, Film, Metallized Polypropylene, Commercial Grade, 2.2 uF, 10%, 400 V, 85C, Lead Spacing = 27.5mm



General Information	
Supplier:	KEMET
Series:	R75
Dielectric:	Metallized Polypropylene
Style:	Radial
Features:	Pulse
RoHS:	Yes
Lead:	Cut
AEC-Q200:	No
Miscellaneous:	Above 85C DC And AC Voltage Derating Is 1.25%/C

Dimensions	
L	32mm +0.3mm
H	25mm +0.1mm
T	13mm +0.2mm
S	27.5mm +/-0.4mm
LL	4mm +1.5mm
F	0.8mm +/-0.05mm

Specifications	
Capacitance:	2.2 uF
Capacitance Tolerance:	10%
Voltage DC:	400 VDC
Voltage AC:	220 VAC
Temperature Range:	-55/+105C
Rated Temperature:	85C
Dissipation Factor:	0.06% 1kHz
Insulation Resistance:	13.6364 GOhms
Max dVdt:	130 V
Inductance:	18 nH

Packaging Specifications	
Packaging:	Bulk, Bag
Packaging Quantity:	480