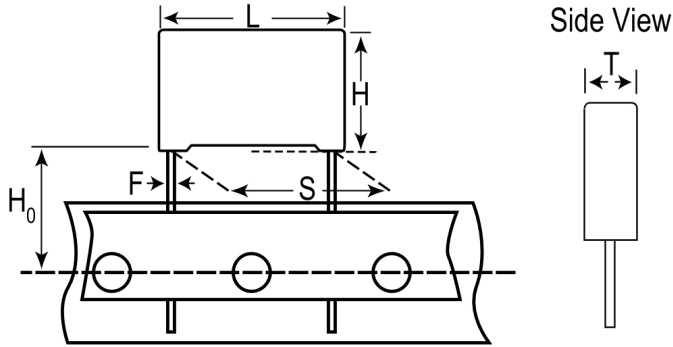


R71PF3100GY30M

Aliases (71PF3100GY30M)

R71, Film, Metallized Polypropylene, General Purpose, 0.1 uF, 20%, 630 VDC, 105°C, 10mm



General Information	
Series	R71
Dielectric	Metallized Polypropylene
Style	Radial
Features	PFC and Pulse
RoHS	Yes
Termination	Tinned Wire
Lead	Wire Leads
AEC-Q200	No
Typical Component Weight	1.382 g
Miscellaneous	Above 105C DC And AC Voltage Derating Is 4%/C.

Specifications	
Capacitance	0.1 uF
Capacitance Tolerance	20%
Voltage DC	630 VDC
Voltage AC	275 VAC
Temperature Range	-40/+110°C
Rated Temperature	105°C
Dissipation Factor	0.1% 25C
Insulation Resistance	100 GOhms
Max dV/dt	400 V/us
ESR	397.9 mOhms (100kHz)
Ripple Current	0.6 Amps (100kHz 85C), 40 Amps (Peak)
Inductance	9 nH

Click [here](#) for the 3D model.

Dimensions	
L	13mm +0.2/-0.5mm
H	12mm +0.1/-0.5mm
T	6mm +0.2/-0.5mm
S	10mm +/-0.4mm
H0	18.5mm +/-0.5mm
F	0.6mm +/-0.05mm

Packaging Specifications	
Packaging	T&R
Packaging Quantity	500

Statements of suitability for certain applications are based on our knowledge of typical operating conditions for such applications, but are not intended to constitute - and we specifically disclaim - any warranty concerning suitability for a specific customer application or use. This information is intended for use only by customers who have the requisite experience and capability to determine the correct products for their application. Any technical advice inferred from this information or otherwise provided by us with reference to the use of our products is given gratis, and we assume no obligation or liability for the advice given or results obtained.