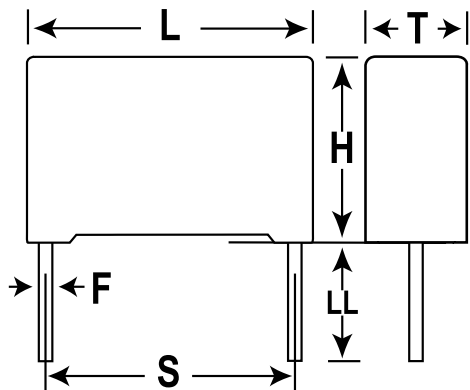


Film, Metallized Polyester, Commercial Grade, R60, 0.22 uF, 5%, 400 V, 85C, Lead Spacing = 15mm



Dimensions	
L	18mm +0.2mm
H	11mm +1mm
T	5mm +0.2mm
S	15mm +/-0.4mm
LL	4mm +1.5mm
F	0.8mm +/-0.05mm

Packaging Specifications	
Packaging:	Bulk
Packaging Quantity:	2000

General Information	
Dielectric:	Metallized Polyester
Style:	Radial
Series:	R60
Features:	Pulse
RoHS:	Yes
Lead:	Cut
Approvals:	AEC-Q200
AEC-Q200:	Yes
Miscellaneous:	Upper Operating Temperature Of 125C Is Allowed For A Maximum Operating Time Of 1,000 Hours. Above 85C, DC And AC Voltage Derating Is 1.25%/C.

Specifications	
Capacitance:	0.22 uF
Capacitance Tolerance:	5%
Voltage DC:	400 VDC
Voltage AC:	200 VAC
Temperature Range:	-55/+105C
Rated Temperature:	85C
Dissipation Factor:	1% 1kHz
Insulation Resistance:	30 GOhms
Max dVdt:	20 V
Inductance:	10 nH