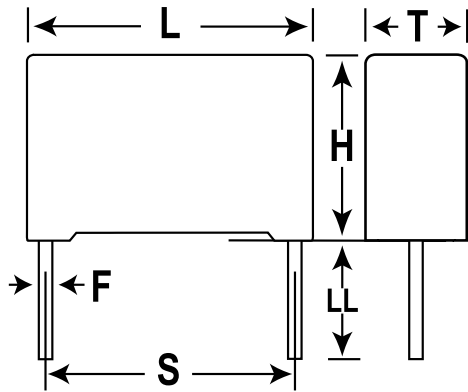


Capacitor, film, 5.6 uF, +/-10% Tol, -55/+105C, General Purpose, 50 VDC@85C, Lead Spacing=10 mm



Dimensions (mm)		
Symbol	Dimension	Tolerance
L	13	+0.2
H	12	+1
T	6	+0.2
S	10	+/-0.4
LL	25	+2/-1
F	0.6	+/-0.05

Notes:

-L,H,T are nominal dimensions and do not imply a minimum.

General Information	
Supplier:	KEMET
Dielectric:	Metallized Polyester (Stacked)
Application:	General Purpose
Sub Application:	AEC-Q200
Style:	Radial Box
Lead Form:	Wire Leads
RoHS:	Yes

Specifications	
Capacitance:	5.6 uF
Voltage:	50 VDC
Tolerance:	+/-10%
Voltage AC:	30 VAC
Rated Temperature:	85C
Temperature Range:	-55/+105C
Dissipation Factor @ 1 kHz:	1%
Insulation Resistance:	223.2 MOhm
Maximum dVdT:	30 v/us
Miscellaneous:	Upper operating temperature of 125C is allowed for a maximum operating time of 1,000 hours. Above 85C, DC and AC voltage derating is 1.25%/C.

Packaging Specifications	
Package Kind:	Bulk
Package Quantity:	1200