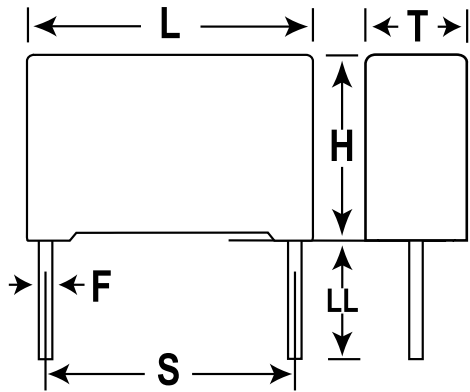


Film, Metallized Polypropylene, Safety, R46, 1 uF, 10%, 560 V, 275 V, 110C, Lead Spacing = 22.5mm



Dimensions

L	26.5mm +0.3mm
H	20mm +0.1mm
T	11mm +0.2mm
S	22.5mm +/-0.4mm
LL	4mm +2mm
F	0.8mm +/-0.05mm

Packaging Specifications

Packaging:	Bulk
Packaging Quantity:	360

General Information

Dielectric:	Metallized Polypropylene
Style:	Radial
Series:	R46
Features:	Pulse
RoHS:	Yes
Lead:	Cut
Approvals:	ENEC, UL, cUL, CQC

Specifications

Capacitance:	1 uF
Capacitance Tolerance:	10%
Voltage DC:	560 VDC
Voltage AC:	275 VAC
Temperature Range:	-40/+110C
Rated Temperature:	110C
Dissipation Factor:	0.1% 1kHz
Insulation Resistance:	30 GOhms
Max dVdt:	200 V
Safety Class:	X2