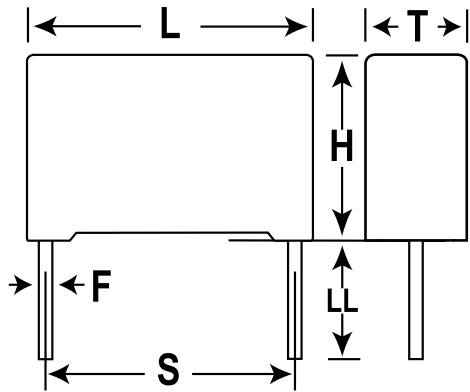


Film, Metallized Polypropylene, Safety, R46, 0.47 uF, 20%, 560 V, 275 V, 110C, Lead Spacing = 22.5mm



**Dimensions**

L	26.5mm +0.3mm
H	16mm +0.1mm
T	7mm +0.2mm
S	22.5mm +/-0.4mm
LL	4mm +2mm
F	0.8mm +/-0.05mm

**Packaging Specifications**

Packaging:	Bulk
Packaging Quantity:	700

**General Information**

Dielectric:	Metallized Polypropylene
Style:	Radial
Series:	R46
Features:	Pulse
RoHS:	Yes
Lead:	Cut
Approvals:	ENEC, UL, cUL, CQC

**Specifications**

Capacitance:	0.47 uF
Capacitance Tolerance:	20%
Voltage DC:	560 VDC
Voltage AC:	275 VAC
Temperature Range:	-40/+110C
Rated Temperature:	110C
Dissipation Factor:	0.1% 1kHz
Insulation Resistance:	63.8298 GOhms
Max dVdt:	200 V
Safety Class:	X2