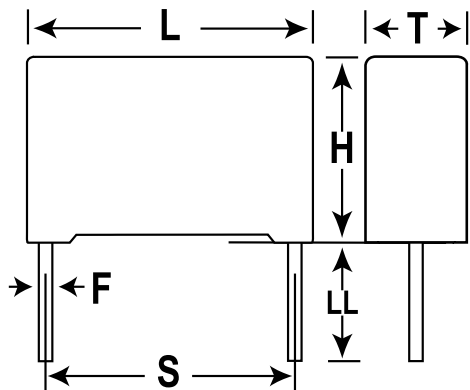


Film, Metallized Polypropylene, Safety, R46, 0.1 uF, 20%, 630 V, 310 V, 110C, Lead Spacing = 15mm



Dimensions

| | |
|----|-----------------|
| L | 18mm +0.3mm |
| H | 11mm +0.1mm |
| T | 5mm +0.2mm |
| S | 15mm +/-0.4mm |
| LL | 4mm +2mm |
| F | 0.6mm +/-0.05mm |

Packaging Specifications

| | |
|----------------------------|------|
| Packaging: | Bulk |
| Packaging Quantity: | 2000 |

General Information

| | |
|--------------------|--------------------------|
| Dielectric: | Metallized Polypropylene |
| Style: | Radial |
| Series: | R46 |
| Features: | Pulse |
| RoHS: | Yes |
| Lead: | Cut |
| Approvals: | ENEC, UL, cUL, CQC |

Specifications

| | |
|-------------------------------|-----------|
| Capacitance: | 0.1 uF |
| Capacitance Tolerance: | 20% |
| Voltage DC: | 630 VDC |
| Voltage AC: | 310 VAC |
| Temperature Range: | -40/+110C |
| Rated Temperature: | 110C |
| Dissipation Factor: | 0.1% 1kHz |
| Insulation Resistance: | 100 GOhms |
| Max dVdt: | 400 V |
| Safety Class: | X2 |