

ebm-papst Mulfingen GmbH & Co. KG

Bachmühle 2

D-74673 Mulfingen

Phone: +49(0)7938/81-0

Fax: +49(0)7938/81-110

info1@de.ebmpapst.com

www.ebmpapst.com

Nominal data

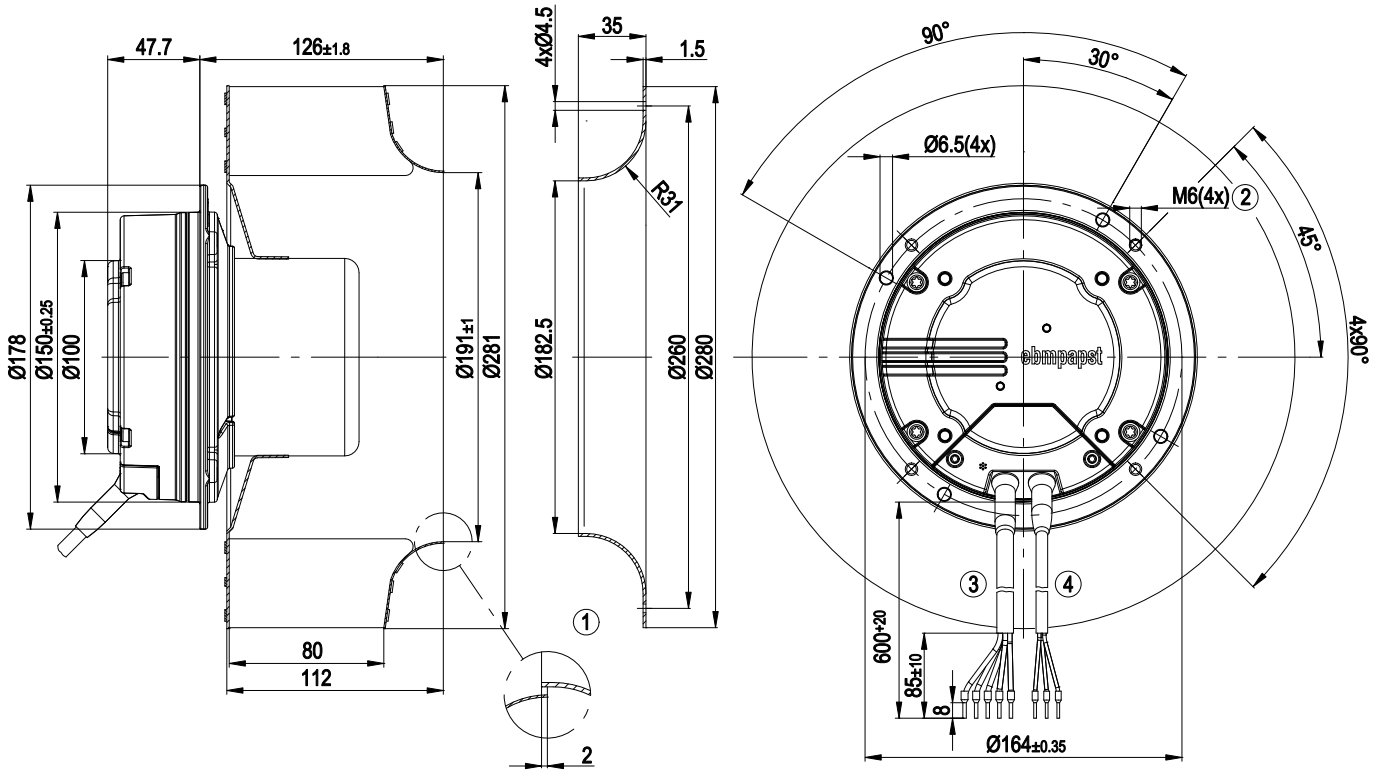
Type	R3G280-AF35-71	
Motor	M3G084-DF	
Phase		1~
Nominal voltage	[VAC]	230
Nominal voltage range	[VAC]	200 .. 277
Frequency	[Hz]	50/60
Type of data definition		ml
Speed	[min ⁻¹]	2600
Power input	[W]	455
Current draw	[A]	2.8
Min. ambient temperature	[°C]	-25
Max. ambient temperature	[°C]	40

ml = max. load · me = max. efficiency · rfa = running at free air · cs = customer specs · cu = customer unit
 Subject to alterations

Technical features

Leakage current	<= 3.5 mA
Size	280 mm
Operation mode	S1
Direction of rotation	Clockwise, seen on rotor
Mounting position	Shaft horizontal or rotor on bottom; rotor on top on request
EMC harmonics	Acc. to EN 61000-3-2/3
EMC interference emission	Acc. to EN 61000-6-3 (household environment)
EMC interference immunity	Acc. to EN 61000-6-2 (industrial environment)
Insulation class	"B"
Cable exit	Variable
Condensate discharge holes	None
Bearing motor	Ball bearing
Mass	4.86 kg
Material of electronics housing	Die-cast aluminium
Material of impeller	Sheet steel, hot-galvanised
Motor protection	Thermal overload protector (TOP) wired internally
Product conforming to standard	EN 61800-5-1
Surface of rotor	Coated in black
Number of blades	11
Type of protection	IP 54
Protection class	I
Technical features	<ul style="list-style-type: none"> - Output 10 VDC, max. 1.1 mA - Alarm relay - Motor current limit - Soft start - Control input 0-10 VDC / PWM - Over-temperature protected electronics / motor - Line undervoltage detection
Max. permissible ambient motor temp. (transp./ storage)	+80 °C
Min. permissible ambient motor temp. (transp./storage)	-40 °C
Approval	CSA C22.2 Nr.77; UL 2111; VDE

Product drawing

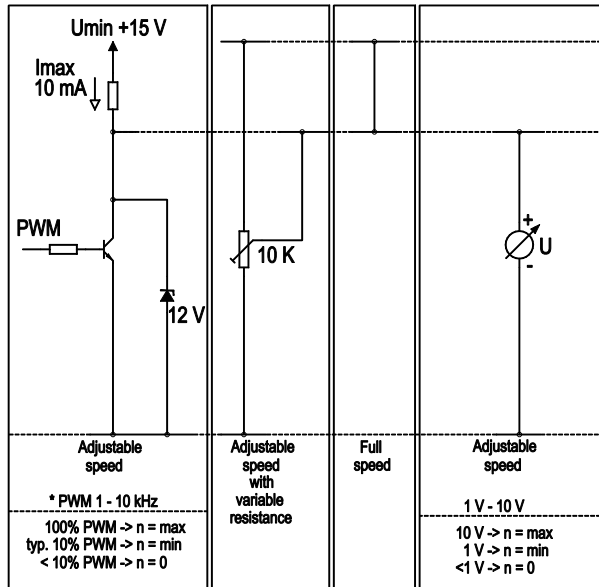


1	Accessory part: inlet nozzle 96360-2-4013 not included in the standard scope of delivery; other inlet nozzles on request
2	Depth of screw 8-10 mm
3	Connection line AWG18, 5 x crimped core-end sleeves
4	Connection line AWG22, 3 x crimped core-end sleeves

Connection screen

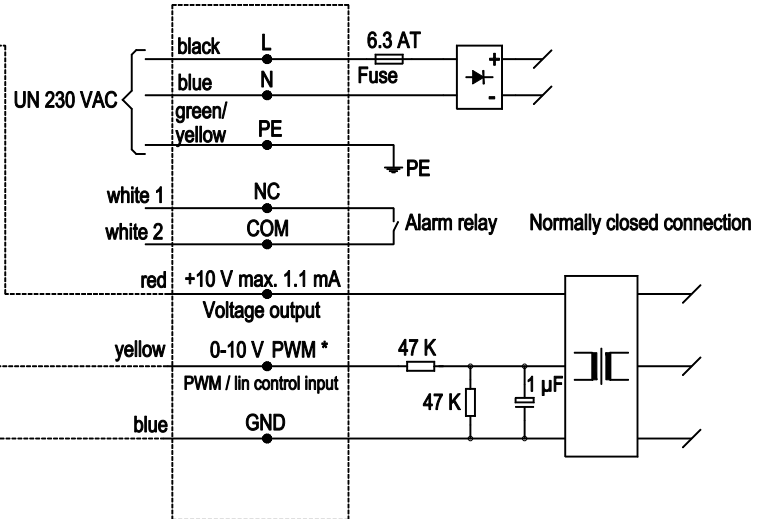
Customer circuit

Notes on various control possibilities and their applications

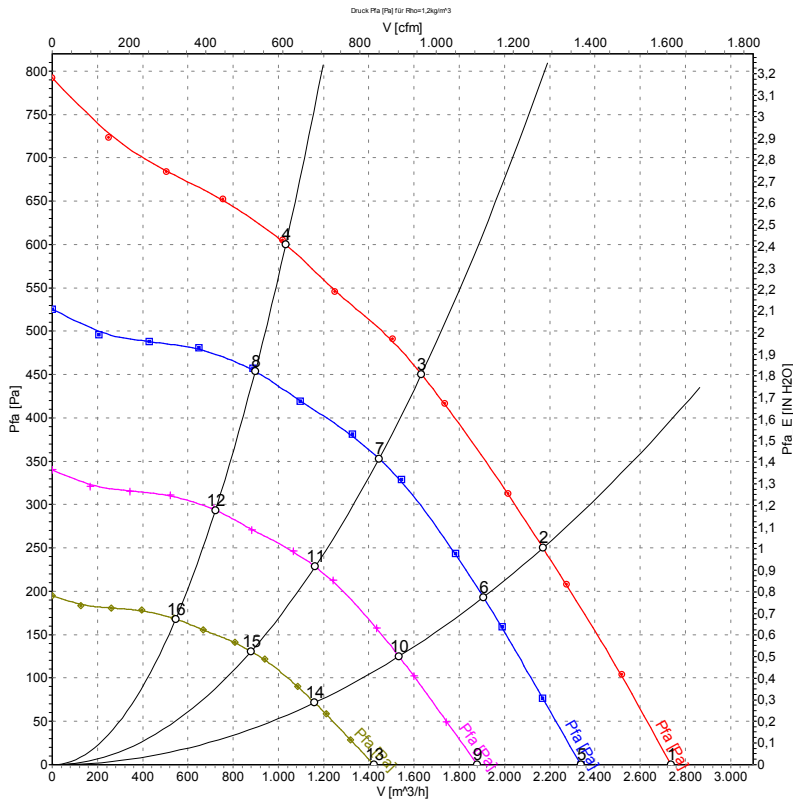


Connection

Fan / motor



Charts: Air flow 50 Hz



Measurement: LU-65464

Measured values

	U	f	n	P ₁	I	Ŵ	P _{fa}
	[V]	[Hz]	[min ⁻¹]	[W]	[A]	[m ³ /h]	[Pa]
1	230	50	2690	332	2.06	2735	0
2	230	50	2620	416	2.55	2170	250
3	230	50	2600	455	2.80	1635	450
4	230	50	2645	406	2.48	1030	600
5	230	50	2300	208	1.28	2340	0
6	230	50	2300	282	1.73	1905	193
7	230	50	2300	314	1.91	1445	353
8	230	50	2300	267	1.63	895	455
9	230	50	1850	108	0.67	1880	0
10	230	50	1850	147	0.90	1535	125
11	230	50	1850	163	0.99	1165	228
12	230	50	1850	139	0.85	720	295
13	230	50	1400	47	0.29	1425	0
14	230	50	1400	64	0.39	1160	72
15	230	50	1400	71	0.43	880	131
16	230	50	1400	60	0.37	545	169