

R1G310-AD33-52

EC centrifugal fan

backward curved, single inlet



ebm-papst Mulfingen GmbH & Co. KG

Bachmühle 2

D-74673 Mulfingen

Phone +49 7938 81-0

Fax +49 7938 81-110

info1@de.ebmpapst.com

www.ebmpapst.com

Nominal data

Type	R1G310-AD33-52		
Motor	M1G074-CF		
Nominal voltage	VDC	48	
Nominal voltage range	VDC	36 .. 57	
Type of data definition		rfa	
Speed	min ⁻¹	1600	
Power input	W	90	
Current draw	A	2.2	
Max. ambient temperature	°C	45	

mi = max. load · me = max. efficiency · rfa = running at free air · cs = customer specs · cu = customer unit
Subject to alterations

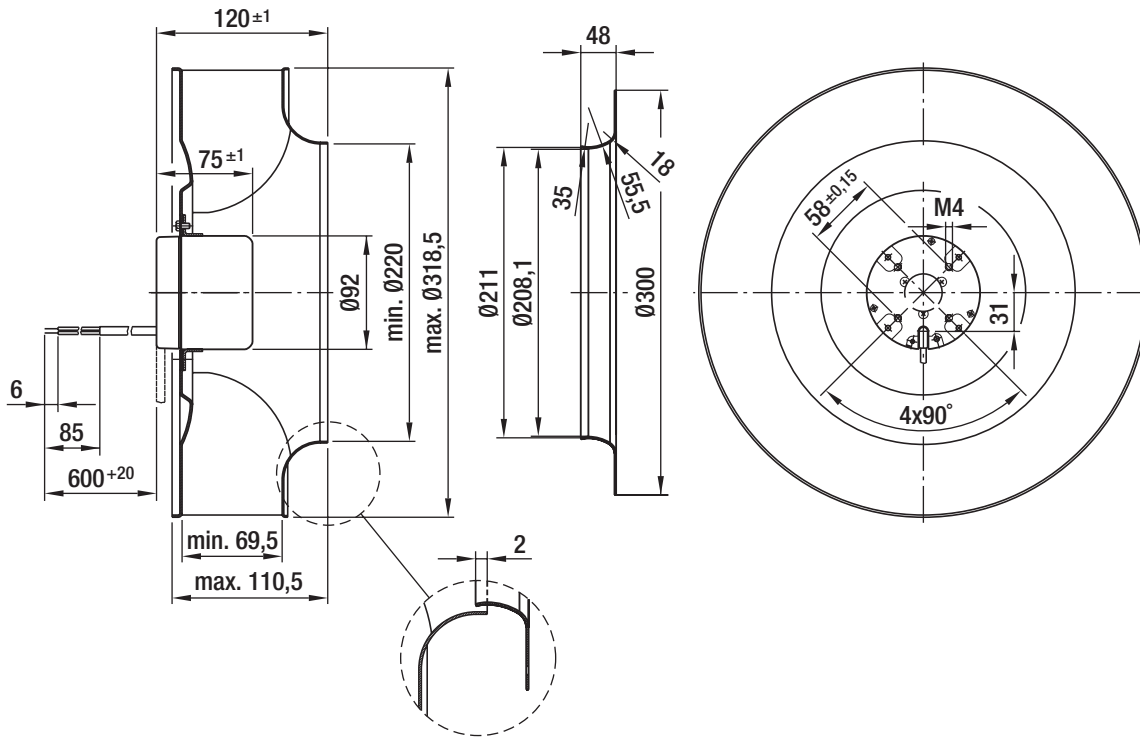
Technical features

Size	310 mm
Operation mode	Continuous operation (S1)
Direction of rotation	Clockwise, seen on rotor
Mounting position	Any
Humidity class	F0
Insulation class	"B"
Cable exit	Variable
Motor bearing	Ball bearing
Mass	2.6 kg
Material of electronics housing	Rotor: Coated in black
Material of impeller	Aluminum sheet, laser-welded
Motor protection	Reverse polarity and locked-rotor protection
Number of blades	6
Type of protection	IP 42
Protection class	I
Technical features	Control input 0-10 VDC / PWM, tach output, polarity and locked rotor protection
Approval	CCC; CSA C22.2 Nr.77; UL 1004-1

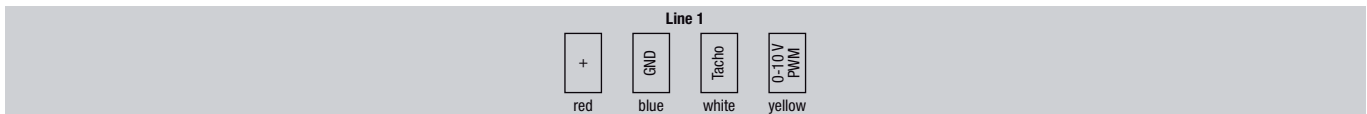
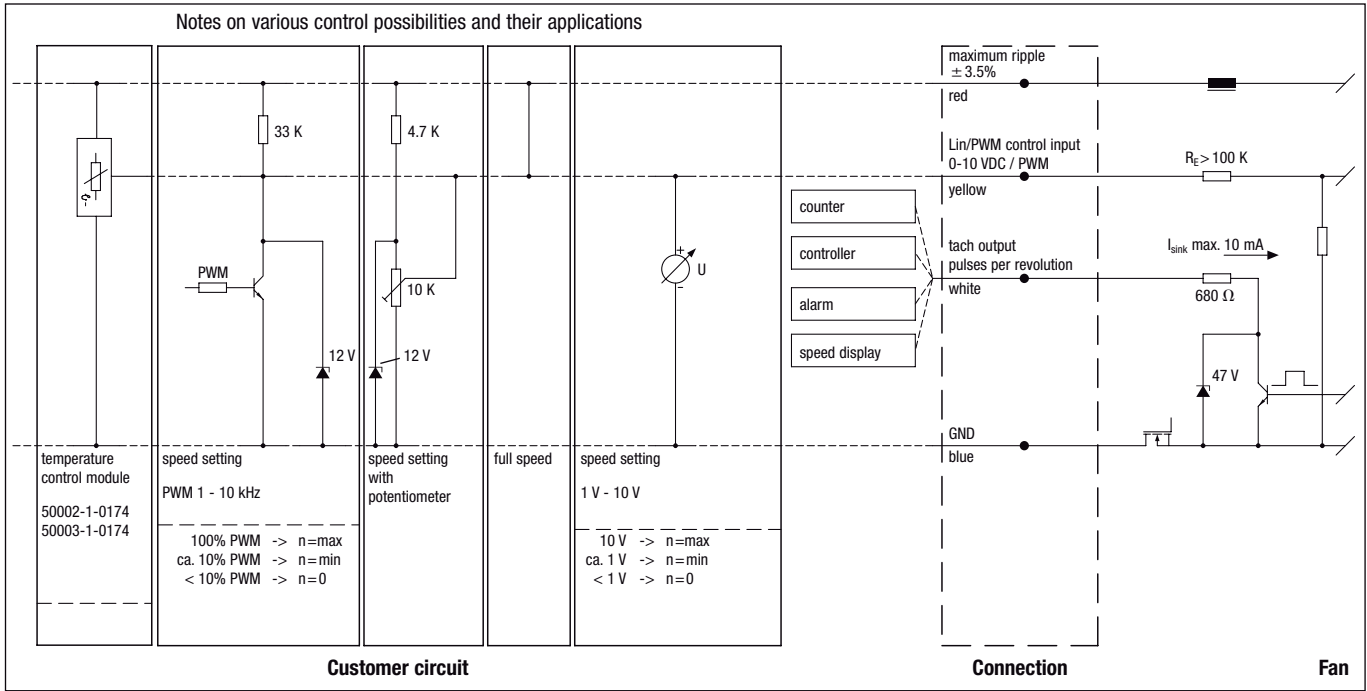
EC centrifugal fan

backward curved, single inlet

Product drawing

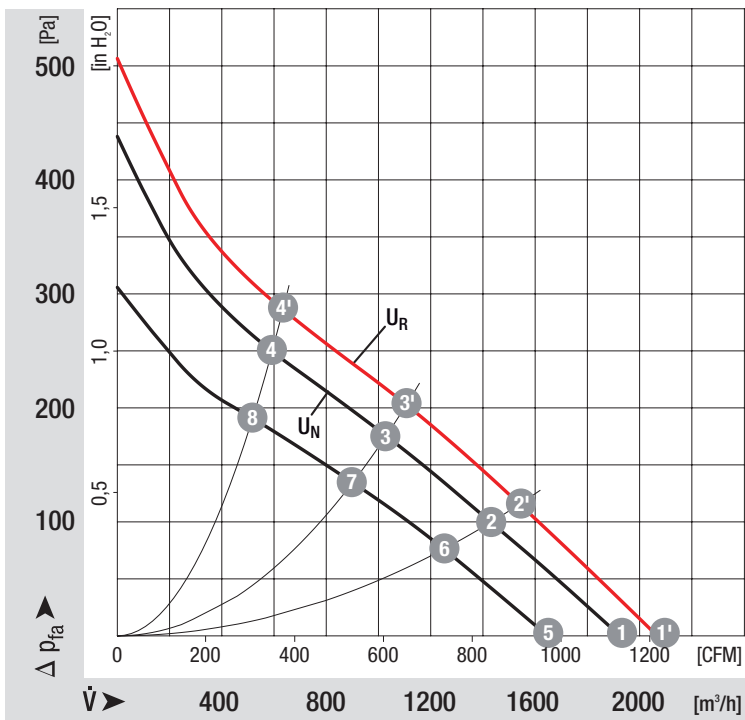


Connection screen



Line	Signal	Colour	Assignment / function	Line	Signal	Colour	Assignment / function
1	+	red	maximum ripple $\pm 3.5\%$	1	Tacho	white	Tach output: pulses per revolution
	GND	blue	GND		0-10 V / PWM	yellow	Control input

Charts: Air flow



Measured values

	n	P _e
	min ⁻¹	W
1'	1720	113
2'	1540	122
3'	1490	124
4'	1560	121
1	1600	90
2	1430	96
3	1390	99
4	1450	96
5	1150	69
6	1260	65
7	1230	67
8	1270	65