

R1G225-AF11-14

EC centrifugal fan

backward curved, single inlet



ebm-papst Mulfingen GmbH & Co. KG

Bachmühle 2 · D-74673 Mulfingen

Phone +49 7938 81-0

Fax +49 7938 81-110

info1@de.ebmpapst.com

www.ebmpapst.com

Limited partnership · Headquarters Mulfingen
County court Stuttgart · HRA 590344

General partner Elektrobau Mulfingen GmbH · Headquarters Mulfingen
County court Stuttgart · HRB 590142

Nominal data

Type	R1G225-AF11-14	
Motor	M1G074-BF	
Nominal voltage	VDC	48
Nominal voltage range	VDC	36 .. 57
Frequency	Hz	-
Type of data definition		fa
Speed	min ⁻¹	2700
Power input	W	95
Current draw	A	2.2
Min. ambient temperature	°C	-25
Max. ambient temperature	°C	60

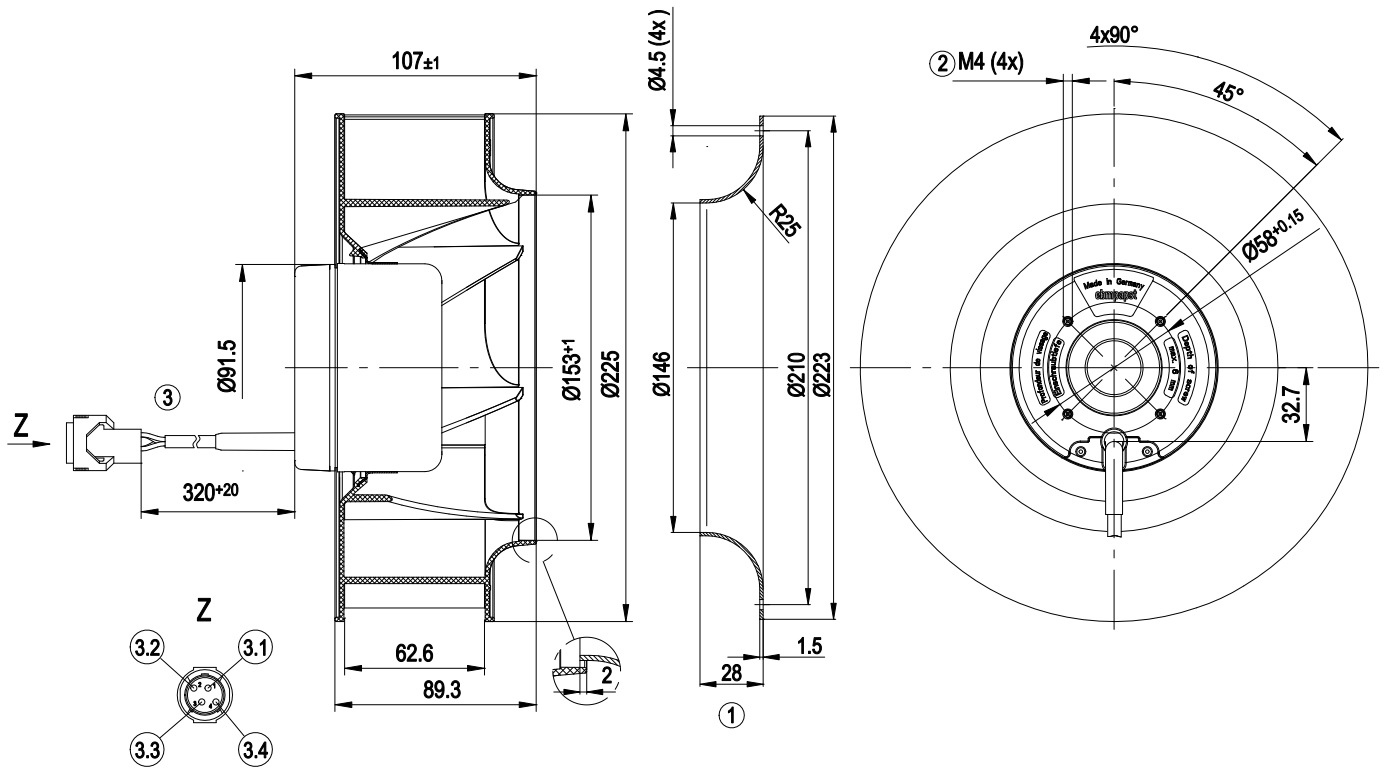
ml = Max. load · me = Max. efficiency · fa = Running at free air · cs = Customer specs · cu = Customer unit
Subject to alterations



Technical features

Mass	1.6 kg
Size	225 mm
Surface of rotor	Coated in black
Material of impeller	PA plastic
Number of blades	7
Direction of rotation	Clockwise, seen on rotor
Type of protection	IP 44
Insulation class	"B"
Humidity class	F4-1
Max. permissible ambient motor temp. (transp./ storage)	+80 °C
Min. permissible ambient motor temp. (transp./storage)	-40 °C
Mounting position	Any
Condensate discharge holes	None
Operation mode	S1
Motor bearing	Ball bearing
Technical features	<ul style="list-style-type: none"> - Tach output - Motor current limit - Soft start - PWM control input
EMC interference immunity	Acc. to EN 61000-6-2 (industrial environment)
EMC interference emission	Acc. to EN 55022 (Class B, household environment)
Electrical leads	With plug
Motor protection	Reverse polarity and locked-rotor protection
Cable exit	Variable
Product conforming to standard	EN 60950-1
Approval	UL 1004-1; CSA C22.2 Nr.77

Product drawing

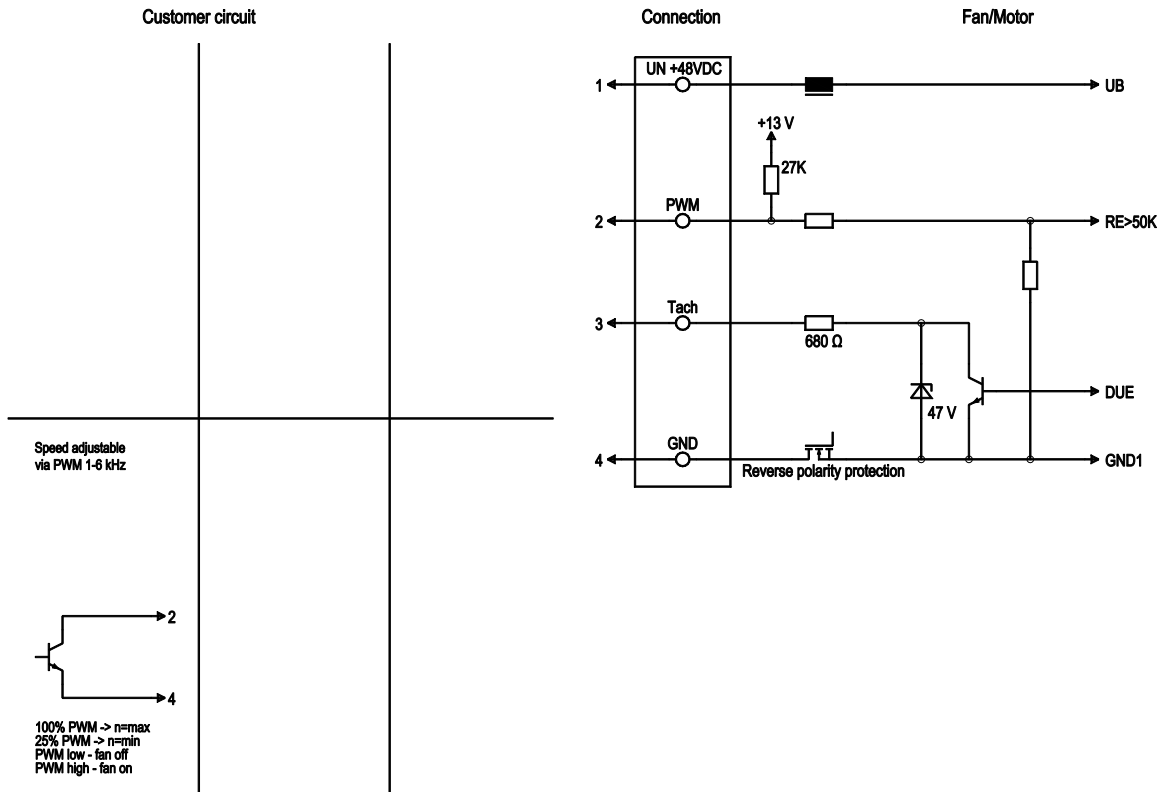


1	Accessory part: inlet nozzle 96358-2-4013 not included in scope of delivery
2	Depth of screw max. 6 mm
3	Connection line PVC AWG20 with connector housing 4-pole AMP 207571-1
3.1	UN +48 VDC (red)
3.2	GND (blue)
3.3	PWM (black)
3.4	Fan good / fan bad (white)

EC centrifugal fan

backward curved, single inlet

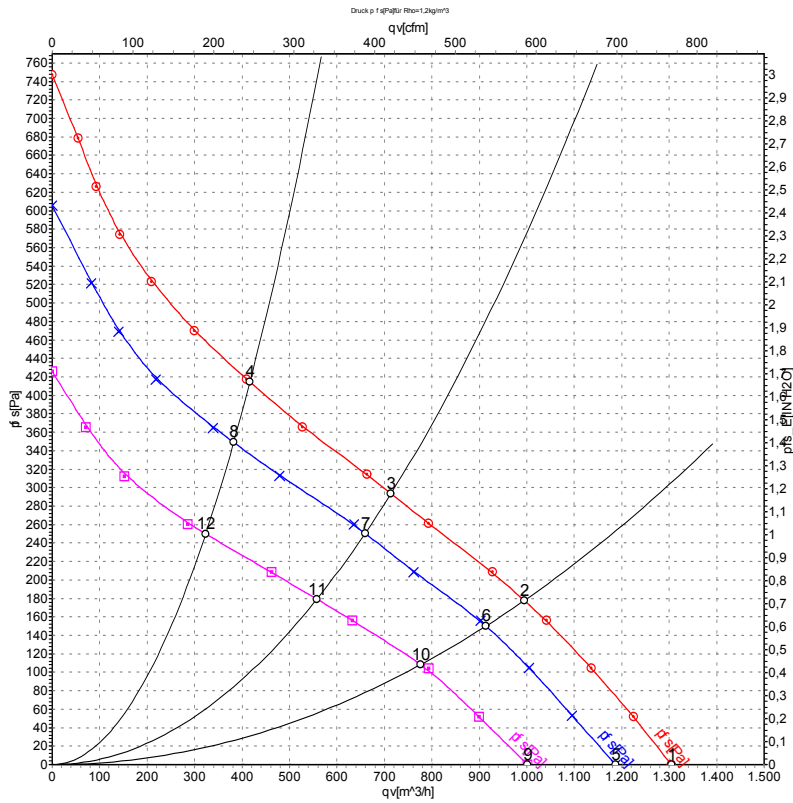
Connection screen



Line	No.	Signal	Colour	Function / assignment
1	1	UN +48 VDC	red	Power supply 48 VDC, maximum ripple 3.5%
1	2	PWM	black	Control input PWM
1	3	Tach	white	Fan good / fan bad evaluation, n<1510 rpm = high (fan bad), n>1620 rpm = low (fan good), Isink max=10 mA
1	4	GND	blue	Reference ground



Charts: Air flow



Measurement: LU-54451
 Measurement: LU-54450
 Measurement: LU-54452

Air performance measured as per ISO 5801 Installation category A. For detailed information on the measuring set-up, please contact ebm-papst. Suction-side noise levels: LwA measured as per ISO 13347 / LpA measured with 1m distance to fan axis. The values given are valid under the measuring conditions mentioned above and may vary according to the actual installation situation. With any deviation from the standard set-up, the specific values have to be checked and reviewed with the unit installed.

Measured values

	U	n	P _{ed}	I	qv	p _{fs}
	V	min ⁻¹	W	A	m ³ /h	Pa
1	57	2865	118	2.52	1305	0
2	57	2690	123	2.68	995	178
3	57	2605	126	2.75	715	294
4	57	2705	123	2.66	415	414
5	48	2600	90	2.20	1185	0
6	48	2495	94	2.36	915	150
7	48	2405	99	2.49	660	250
8	48	2485	95	2.39	380	350
9	36	2200	53	1.75	1000	0
10	36	2105	58	1.93	775	110
11	36	2050	60	1.99	560	179
12	36	2110	58	1.92	325	249

U = Supply voltage · n = Speed · P_{ed} = Power input · I = Current draw · qv = Air flow · p_{fs} = Pressure increase

