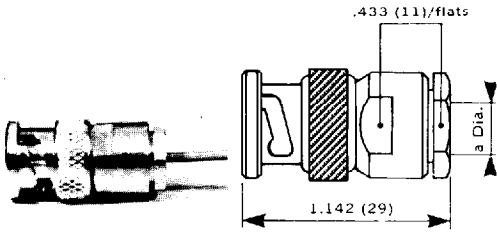


BNC

50 Ω

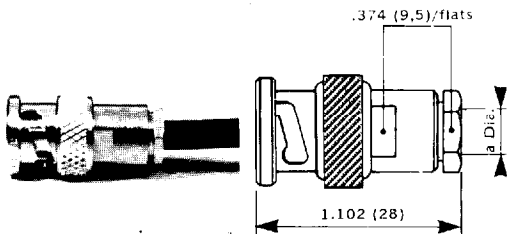
CABLE CLAMP FOR FLEXIBLE CABLES

STRAIGHT PLUG



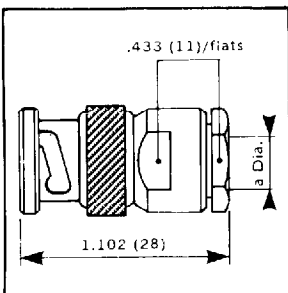
CABLE DIA.	.079 (2)	.102 (2,6)
Ω	50	50 + 75
PART NUMBER	R 141 003	R 141 004
a dia. max.	.086 (2,2)	.116 (2,95)
Captive contact	YES	YES
Assembly	M 04	M 04

STRAIGHT PLUG



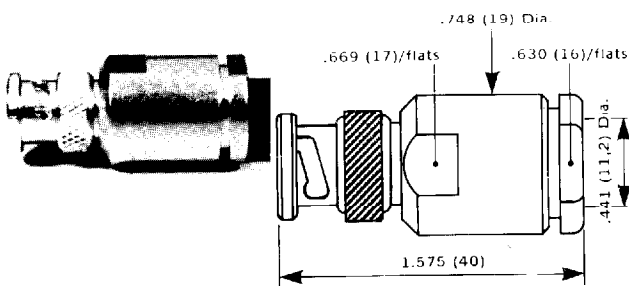
CABLE DIA.	.138 (3,5)	.197 (5)	.236 (6)	.236 (6)
Ω	50 + 75	50	75	50 + 75
PART NUMBER	R 141 005	R 141 007	R 141 011	R 141 015
Equivalent. MIL		UG. 88/U	UG. 260/U	
a dia. max.	.145 (3,7)	.220 (5,6)	.256 (6,5)	.268 (6,8)
Captive contact	NO	NO	NO	NO
Assembly	M 01	M 01	M 01	M 01

STRAIGHT PLUG



CABLE DIA.	.197 (5)	.197 (5)	.197 (5)	.236 (6)	.236 (6)	.236 (6)
Ω	50	50	50	75 + 93	75 + 93	75 + 93
PART NUMBER	R 141 008	R 141 009	R 141 010	R 141 012	R 141 013	R 141 014
Equivalent. MIL	UG. 88 C/U	UG. 88 E/U	UG. 88 G/U	UG. 260 B/U	UG. 260 D/U	
Equivalent. MIL		KBN 1			KBN 11	
a dia. max.	.220 (5,6)	.220 (5,6)	.220 (5,6)	.260 (6,6)	.260 (6,6)	.260 (6,6)
Captive contact	NO	NO	YES	NO	NO	YES
Assembly	M 02	M 02	M 02	M 02	M 02	M 02

STRAIGHT PLUG



CABLE DIA.	.394 (10) + .433 (11)
Ω	50
PART NUMBER	R 141 018
Captive contact	YES
Assembly	M 08

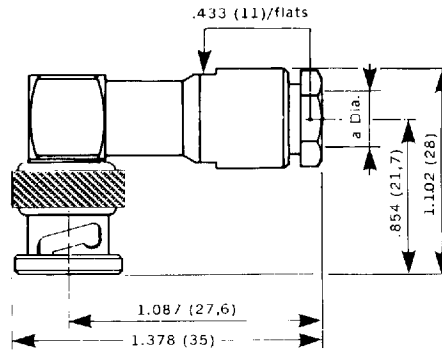
50 Ω

BNC

CABLE CLAMP FOR FLEXIBLE CABLES

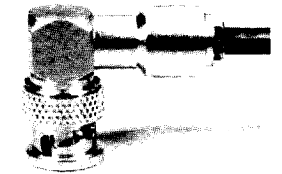
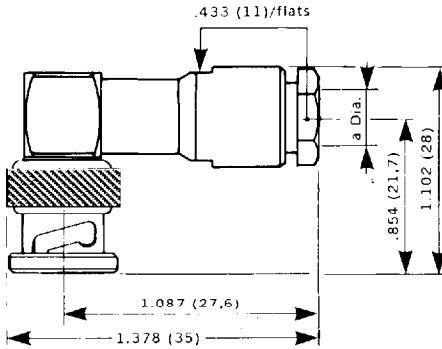
CABLE DIA.	.079 (2)	.102 (2,6)
Ω	50	50 +75
PART NUMBER	R 141 153	R 141 154
a dia. max.	.086 (2,2)	.118 (3)
Captive contact	YES	YES
Assembly	M 04	M 04

RIGHT ANGLE PLUG



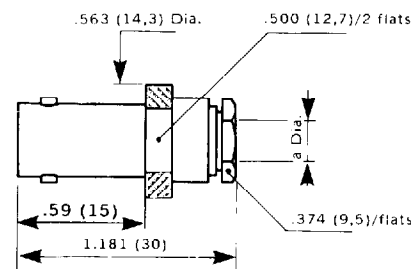
CABLE DIA.	.197(5)	.236(6)
Ω	50	75+93
PART NUMBER	R 141 156	R 141 157
Equival. MIL	UG. 913 A/U	
Equival. NF	KBN 33	
CECC P/N	E 22121-803-02	
a dia. max.	.220(5,6)	.260(6,6)
Captive contact	YES	YES
Assembly	M02	M02

RIGHT ANGLE PLUG



CABLE DIA.	.197 (5)	.236 (6)
Ω	50	75 +93
PART NUMBER	R 141 206	R 141 209
Equival. MIL	UG. 89/U	UG. 261/U
a dia. max.	.220 (5,6)	.260 (6,6)
Captive contact	NO	NO
Assembly	M 01	M 01

STRAIGHT JACK



CABLE DIA.	.197(5)	.236(6)
Ω	50	75+93
PART NUMBER	R 141 207	R 141 210
Equival. MIL	UG. 89 C/U	UG. 261 C/U
Equival. NF	KBN 2	KBN 12
CECC P/N	E 22121-014-02	E 22121-805-04
a dia. max.	.220(5,6)	.260(6,6)
Captive contact	NO	YES
Assembly	M02	M02

STRAIGHT JACK

