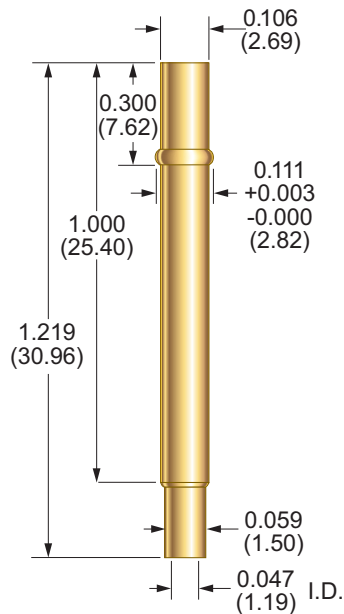


► **R-4 SERIES**

0.156 (3.96) – 0.187 (4.75) Centers

For S-4 Series Probes see pg. 26



PROBE SPECIFICATIONS

Minimum Centers	0.156 (3.96) (tips: B, C, D, G, J, K) or 0.187 (4.75) (tips: A, E, F, H)
Drill Size	#35
Mounting Hole Size	0.108/0.110 (2.74/2.79)
Recommended Wire	22-26 gage
Materials	Nickel/silver, gold plated, gold plated post

TOOLS

Crimping Pliers	CP-4 (for 22-26 gage solid conductor)
Insertion Tool	RT-4

PART NUMBER	STYLE	RECEPTACLE LENGTH	PROBE/RECEPTACLE COMBINED LENGTH	NOTES
R-4-CR	Crimp	1.219 (30.96)	1.549 (39.34)	—
R-4-SC	Solder Cup	1.219 (30.96)	1.549 (39.34)	—
R-4-WW-429	Wire Wrap	1.648 (41.86)	1.978 (50.24)	0.429 post length – 0.025 sq.

HOW TO ORDER

	R - 4 - WW - 4 2 9
	1 2 3
1 ► SERIES	R
2 ► SIZE	4
3 ► TERMINATION	CR CRIMP SC SOLDER CUP
	WW - 4 2 9 WIRE WRAP 0.429 POST LENGTH