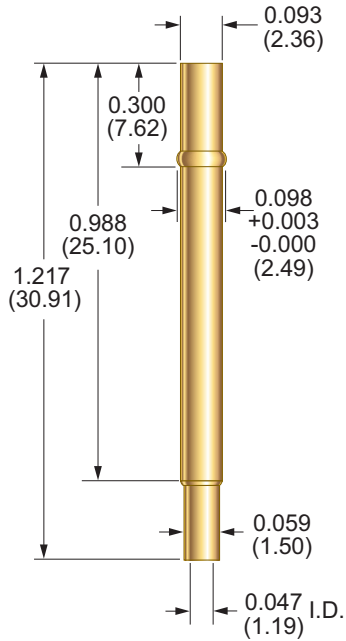


## ▶ R-3 SERIES

0.125 (3.18) Centers

For S-3 Series Probes see pg. 25



### PROBE SPECIFICATIONS

<b>Minimum Centers</b>	0.125 (3.18)
<b>Drill Size</b>	#41
<b>Mounting Hole Size</b>	0.094/0.096 (2.39/2.44)
<b>Recommended Wire</b>	22-26 gage
<b>Materials</b>	Nickel/silver, gold plated, gold plated post

### TOOLS

<b>Crimping Pliers</b>	CP-3 (for 22-26 gage solid conductor)
<b>Insertion Tool</b>	RT-3

PART NUMBER	STYLE	RECEPTACLE LENGTH	PROBE/RECEPTACLE COMBINED LENGTH	NOTES
<b>R-3-CR</b>	Crimp	1.217 (30.91)	1.539 (39.09)	—
<b>R-3-SC</b>	Solder Cup	1.217 (30.91)	1.539 (39.09)	—
<b>R-3-WW-429</b>	Wire Wrap	1.646 (41.81)	1.968 (49.99)	0.429 post length – 0.025 sq.

## HOW TO ORDER

<b>R - 3 - WW - 429</b>	
1      2                      3	
<b>1</b> ▶ SERIES	<b>R</b>
<b>2</b> ▶ SIZE	<b>3</b>
<b>3</b> ▶ TERMINATION	<b>CR</b> CRIMP <b>SC</b> SOLDER CUP
	<b>WW - 429</b> WIRE WRAP 0.429 POST LENGTH