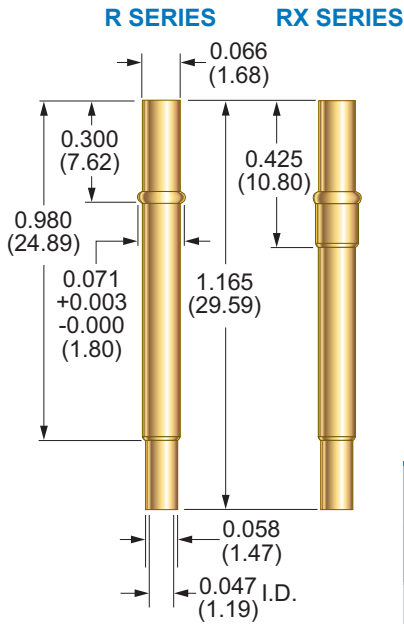


## ► R-100 SERIES

0.100 (2.54) Centers

For ICT-100/S-100 Series Probes see pg. 21  
 For ICT-100 Lead Free Series Probes see pg. 22  
 For S-100 Rotator Series Probes see pg. 23  
 For ICT-L100 Series Probes see pg. 24



### PROBE SPECIFICATIONS

<b>Minimum Centers</b>	0.100 (2.54)
<b>Drill Size</b>	#50
<b>Mounting Hole Size</b>	0.068/0.070 (1.73/1.78)
<b>Recommended Wire</b>	22-26 gage
<b>Materials</b>	Nickel/silver, gold plated, gold plated post

### TOOLS

<b>Crimping Pliers</b>	CP-2 (for 22-26 gage solid conductor)
<b>Insertion Tool</b>	RT-100

PART NUMBER	STYLE	RECEPTACLE LENGTH	PROBE/RECEPTACLE COMBINED LENGTH		NOTES
			ICT-100/S-100	ICT-L100	
<b>R-100-CR</b>	Crimp	1.165 (29.59)	1.495 (37.97)	1.645 (41.78)	—
<b>R-100-SC</b>	Solder Cup	1.165 (29.59)	1.495 (37.97)	1.645 (41.78)	—
<b>R-100-RP</b>	Round Post	1.540 (39.12)	1.870 (47.50)	2.020 (51.31)	0.375 post length – 0.025 dia.
<b>R-100-WW-429</b>	Wire Wrap	1.594 (40.49)	1.924 (48.87)	2.074 (52.68)	0.429 post length – 0.025 dia.

## HOW TO ORDER

<b>R - 100 - WW - 429</b>	
1                      2                      3	
<b>1</b> ► SERIES	<b>R</b> <b>RX</b> <sup>(1)</sup>
<b>2</b> ► SIZE	<b>100</b>
<b>3</b> ► TERMINATION	<b>CR</b> CRIMP <b>SC</b> SOLDER CUP
	<b>RP</b> ROUND POST <b>WW - 429</b> WIRE WRAP 0.429 POST LENGTH

1. Improved pointing accuracy  
 Dimensions are in inches (mm) | All specifications are subject to change