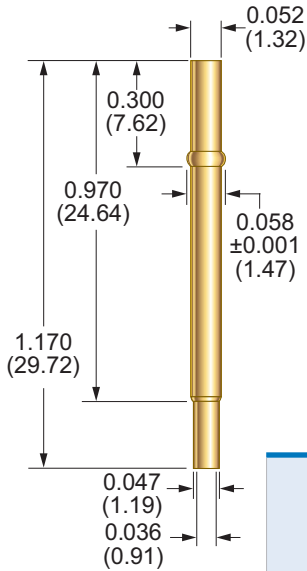


► R-075 SERIES

0.075 (1.91) Centers

For ICT-075/S-075 Series Probes see pg. 15
 For ICT-075 Lead Free Series Probes see pg. 16
 For S-075 Rotator Series Probes see pg. 17
 For ICT-L075 Series Probes see pg. 18



PROBE SPECIFICATIONS

Minimum Centers	0.075 (1.91)
Drill Size	1.45 mm
Mounting Hole Size	0.055/0.057 (1.40/1.45)
Recommended Wire	24-28 gage
Materials	Nickel/silver, gold plated, gold plated post

TOOLS

Crimping Pliers	CP-1 (for 24-28 gage solid conductor)
Insertion Tool	RT-1

PART NUMBER	STYLE	RECEPTACLE LENGTH	PROBE/RECEPTACLE COMBINED LENGTH		NOTES
			ICT-075/S-075	ICT-L075	
R-075-CR	Crimp	1.170 (29.72)	1.500 (38.10)	1.650 (41.91)	—
R-075-SC	Solder Cup	1.170 (29.72)	1.500 (38.10)	1.650 (41.91)	—
R-075-RP	Round Post	1.545 (39.24)	1.875 (47.63)	2.025 (51.44)	0.375 post length – 0.025 dia.
R-075-WW-429	Wire Wrap	1.599 (40.61)	1.929 (49.00)	2.079 (52.81)	0.429 post length – 0.025 dia.

HOW TO ORDER

R - 075 - WW - 429

1 2 3

1 ► SERIES	R
2 ► SIZE	075
3 ► TERMINATION	CR CRIMP SC SOLDER CUP
	RP ROUND POST WW - 429 WIRE WRAP 0.429 POST LENGTH

1. Wire length 36" with a 1" strip length, 12" & 36" standard, blue solid conductor Kynar wire
 Dimensions are in inches (mm) | All specifications are subject to change