

Technical Data Sheet
Top View LEDs

67-22SRUGC/TR8

Features

- P-LCC-4 package
- Optical indicator
- Colorless clear window
- Ideal for backlight and light pipe application
- Inter reflector
- Wide viewing angle
- Suitable for vapor-phase reflow.
- Computable with automatic placement equipment
- Available on tape and reel (8mm Tape)
- Pb-free
- The product itself will remain within RoHS compliant version



Descriptions

- The 67-22 series is available in soft orange, green, blue and yellow. Due to the package design, the LED has wide viewing angle and optimized light coupling by inter reflector. This feature makes ideal for light pipe application. The low current requirement makes this device ideal for portable equipment or any other application where power is at a premium.

Applications

- Telecommunication: indicator and backlighting in telephone and fax
- Flat backlight for LCD's, switches and symbols
- Light pipe application
- General use

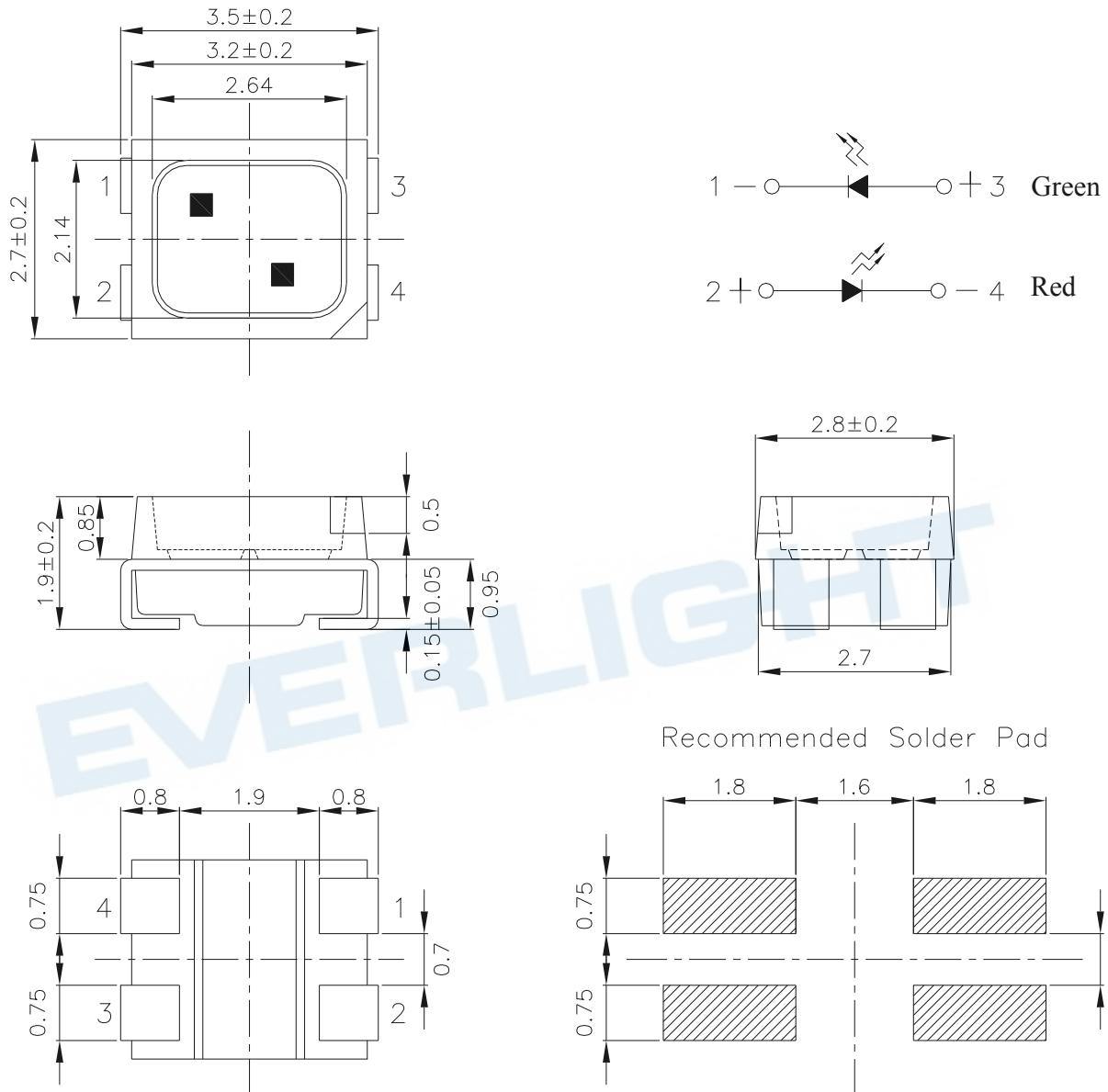
Device Selection Guide

Chip		Emitted Color	Resin Color
Type	Material		
SR	GaAlAs	Deep-Red	Water Clear
UG	GaP	Yellow Green	

Technical Data Sheet
Top View LEDs

67-22SRUGC/TR8

Package Dimensions



Note: The tolerance unless mentioned is ± 0.1 mm.

Technical Data Sheet
Top View LEDs**67-22SRUGC/TR8****Absolute Maximum Ratings (Ta=25°C)**

Parameter	Symbol	Rating	Unit
Reverse Voltage	V_R	5	V
Forward Current	I_F	SR	40
		UG	30
Peak Forward Current(Duty 1/10 @ 1KHz)	I_{FP}	SR	80
		UG	60
Power Dissipation	P_d	SR	110
		UG	100
Electrostatic Discharge(HBM)	ESD	SR	2000
		UG	2000
Operating Temperature	T_{opr}	-40 ~ +85	°C
Storage Temperature	T_{stg}	-40 ~ +95	°C
Soldering Temperature	T_{sol}	Reflow soldering : 260 °C for 10 sec. Hand soldering : 350 °C for 3 sec.	

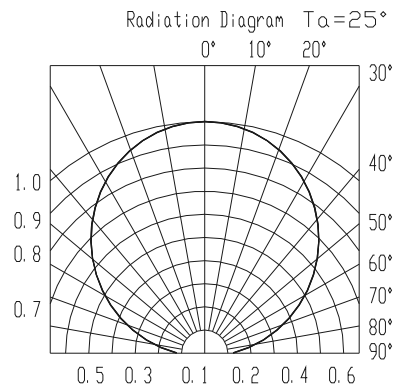
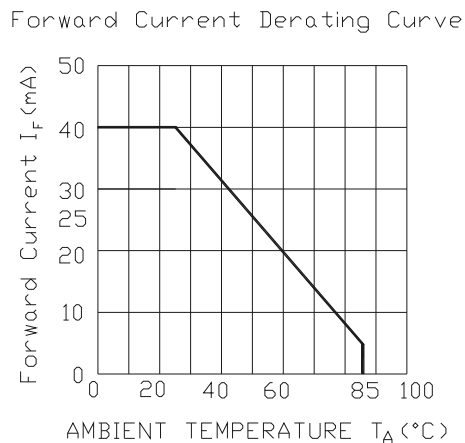
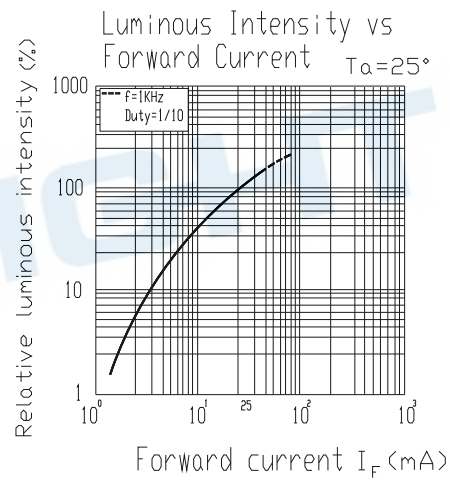
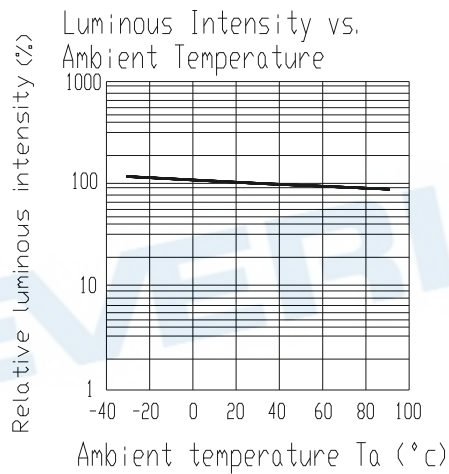
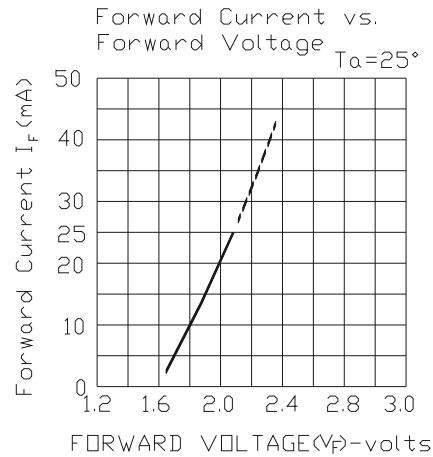
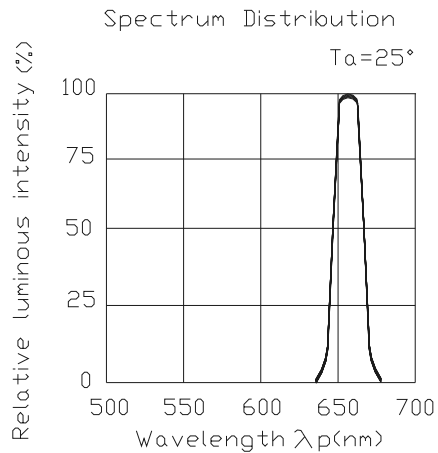
Technical Data Sheet
Top View LEDs**67-22SRUGC/TR8****Electro-Optical Characteristics (Ta=25°C)**

Parameter	Symbol	Min.	Typ.	Max.	Unit	Condition
Luminous Intensity	I _v	SR	19.3	32.2	-----	mcd
		UG	15	25.1	-----	mcd
Viewing Angle	2θ 1/2	-----	120	-----	deg	I _F =20mA
Peak Wavelength	λ _p	SR	-----	660	-----	nm
		UG	-----	570	-----	
Dominant Wavelength	λ _d	SR	-----	643	-----	nm
		UG	-----	571	-----	
Spectrum Radiation Bandwidth	Δλ	SR	-----	20	-----	nm
		UG	-----	30	-----	
Forward Voltage	V _F	SR	-----	1.7	2.4	V
		UG	-----	2.1	2.4	
Reverse Current	I _R	-----	-----	10	μA	V _R =5V

Technical Data Sheet
Top View LEDs

67-22SRUGC/TR8

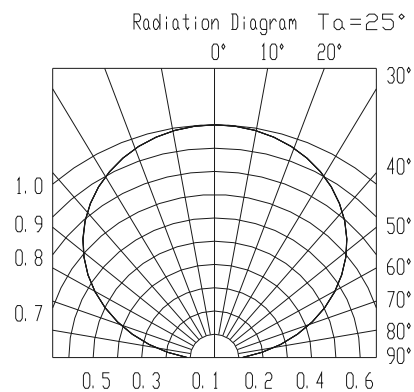
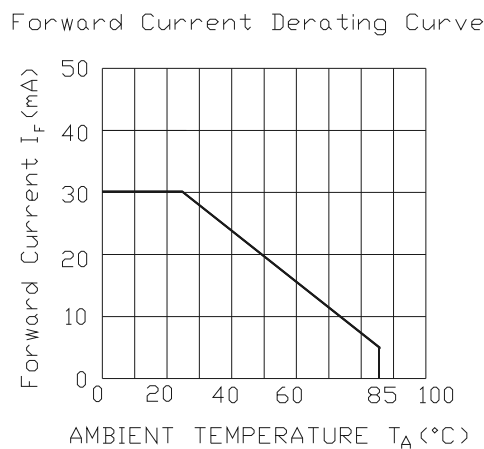
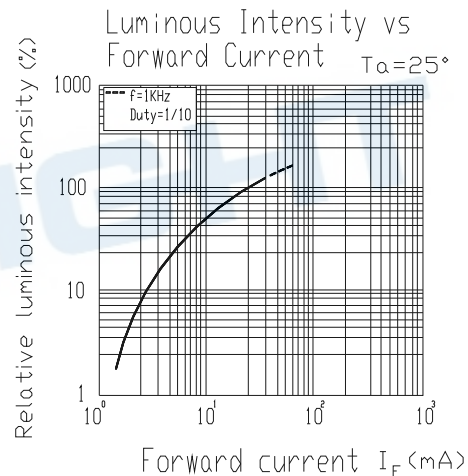
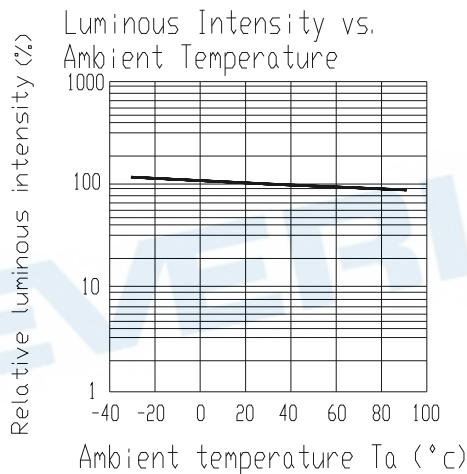
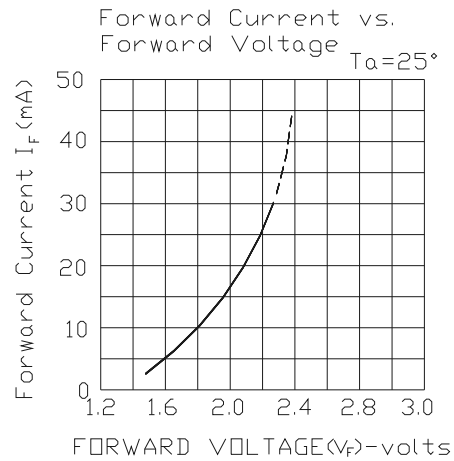
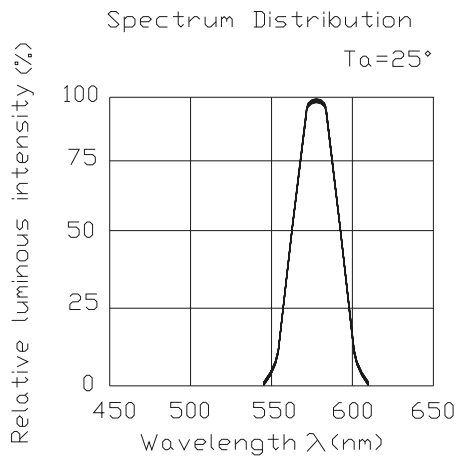
Typical Electro-Optical Characteristics Curve (SR)



Technical Data Sheet
Top View LEDs

67-22SRUGC/TR8

Typical Electro-Optical Characteristics Curves (UG)



Technical Data Sheet
Top View LEDs

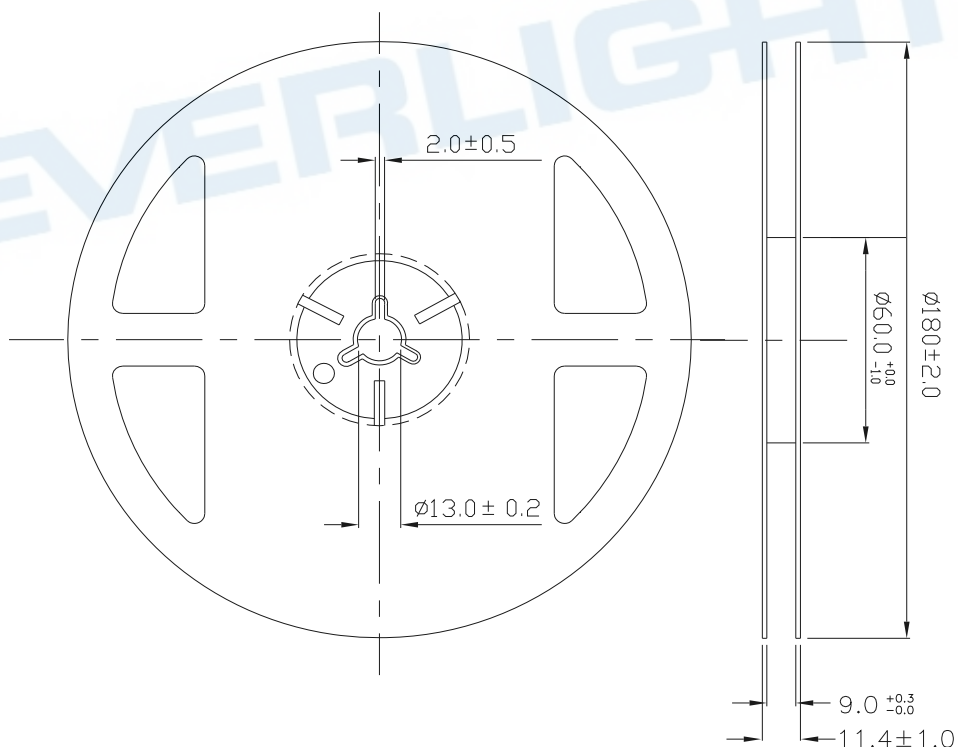
67-22SRUGC/TR8

Label Explanation

- CAT: Luminous Intensity Rank
- HUE: Dom. Wavelength Rank
- REF: Forward Voltage Rank



Reel Dimensions

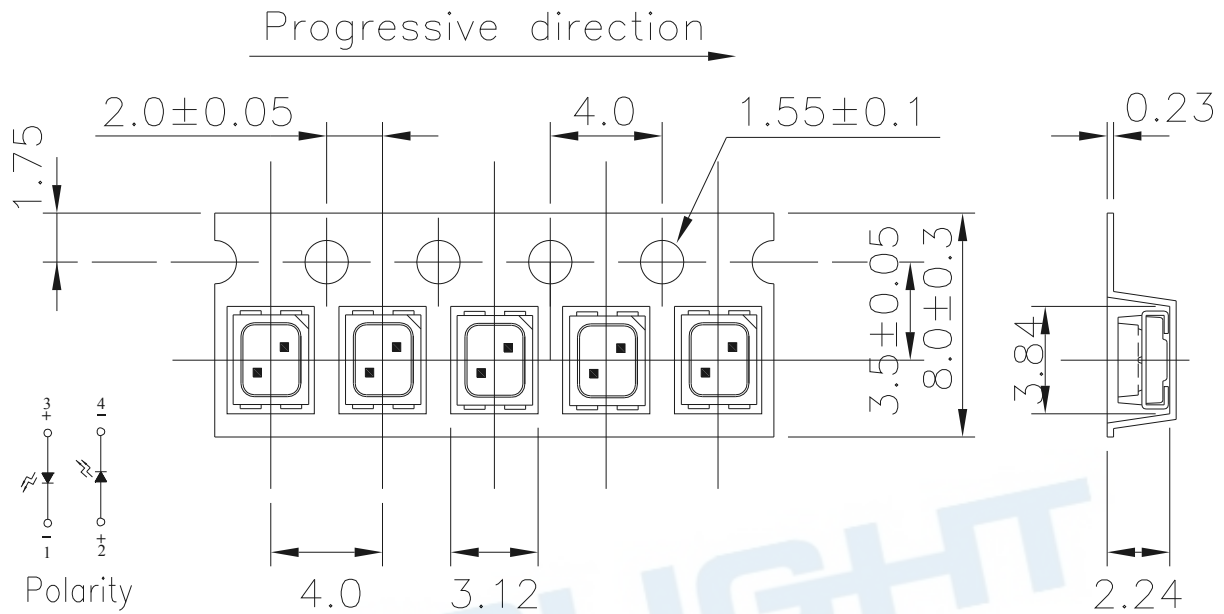


Note: The tolerance unless mentioned is ± 0.1 mm.

Technical Data Sheet
Top View LEDs

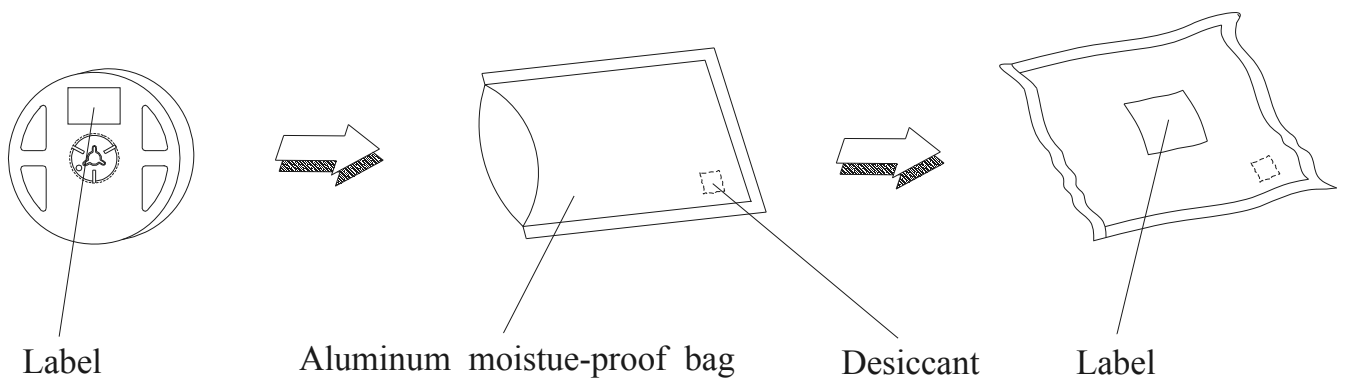
67-22SRUGC/TR8

Carrier Tape Dimensions: Loaded Quantity 2000 pcs Per Reel



Note: The tolerance unless mentioned is ± 0.1 mm.

Moisture Resistant Packaging



Technical Data Sheet
Top View LEDs**67-22SRUGC/TR8****Reliability Test Items and Conditions**

The reliability of products shall be satisfied with items listed below.

Confidence level : 90%

LTPD : 10%

No.	Items	Test Condition	Test Hours/Cycles	Sample Size	Ac/Re
1	Reflow Soldering	Temp. : 260°C±5°C Max. 10 sec.	6 Min.	22 PCS.	0/1
2	Temperature Cycle	H : +100°C 15min ↓ 5 min L : -40°C 15min	300 Cycles	22 PCS.	0/1
3	Thermal Shock	H : +100°C 5min ↓ 10 sec L : -10°C 5min	300 Cycles	22 PCS.	0/1
4	High Temperature Storage	Temp. : 100°C	1000 Hrs.	22 PCS.	0/1
5	Low Temperature Storage	Temp. : -40°C	1000 Hrs.	22 PCS.	0/1
6	DC Operating Life	I _F = 20 mA	1000 Hrs.	22 PCS.	0/1
7	High Temperature / High Humidity	85°C/85%RH.	1000 Hrs.	22 PCS.	0/1

Technical Data Sheet
Top View LEDs

67-22SRUGC/TR8

Precautions for Use

1. Over-current-proof

Customer must apply resistors for protection, otherwise slight voltage shift will cause big current change (Burn out will happen).

2. Storage

2.1 Do not open moisture proof bag before the products are ready to use.

2.2 Before opening the package: The LEDs should be kept at 30°C or less and 90%RH or less.

2.3 After opening the package: The LED's floor life is 168 hrs under 30°C or less and 60% RH or less.

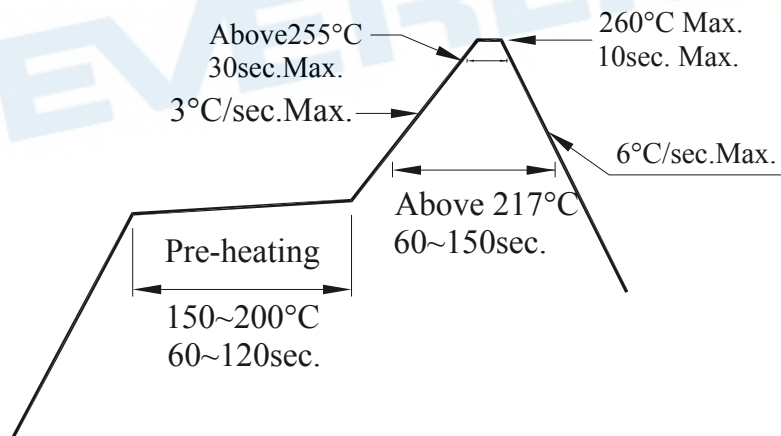
If unused LEDs remain, it should be stored in moisture proof packages.

2.4 If the moisture absorbent material (silica gel) has faded away or the LEDs have exceeded the storage time, baking treatment should be performed using the following conditions.

Baking treatment : 60±5°C for 24 hours.

3. Soldering Condition

3.1 Pb-free solder temperature profile



3.2 Reflow soldering should not be done more than two times.

3.3 When soldering, do not put stress on the LEDs during heating.

3.4 After soldering, do not warp the circuit board.

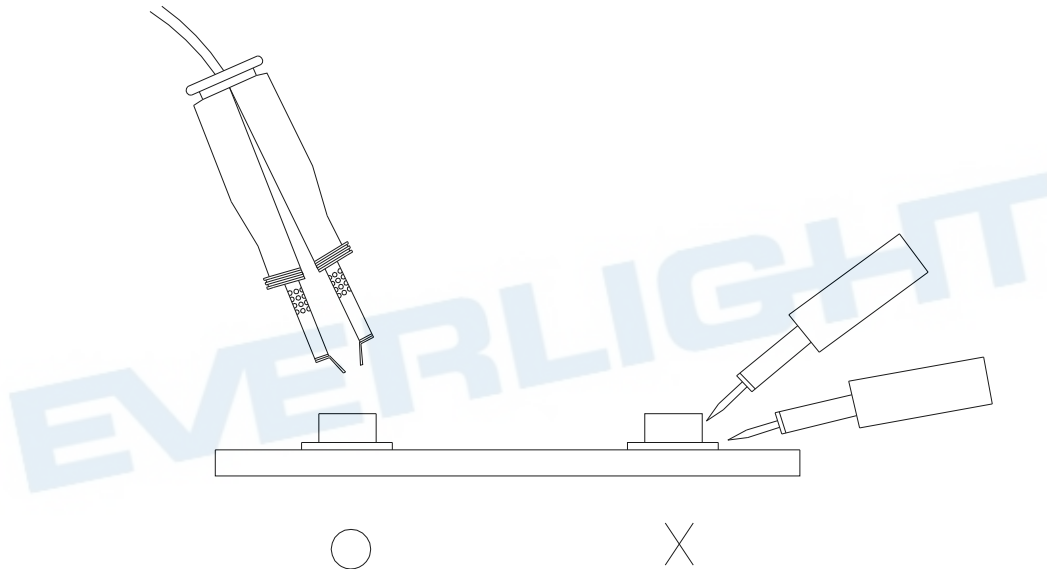
Technical Data Sheet
Top View LEDs**67-22SRUGC/TR8**

4. Soldering Iron

Each terminal is to go to the tip of soldering iron temperature less than 350°C for 3 seconds within once in less than the soldering iron capacity 25W. Leave two seconds and more intervals, and do soldering of each terminal. Be careful because the damage of the product is often started at the time of the hand solder.

5. Repairing

Repair should not be done after the LEDs have been soldered. When repairing is unavoidable, a double-head soldering iron should be used (as below figure). It should be confirmed beforehand whether the characteristics of the LEDs will or will not be damaged by repairing.



Technical Data Sheet
Top View LEDs

67-22SRUGC/TR8

DISCLAIMER

1. EVERLIGHT reserves the right(s) on the adjustment of product material mix for the specification.
2. The product meets EVERLIGHT published specification for a period of twelve (12) months from date of shipment.
3. The graphs shown in this datasheet are representing typical data only and do not show guaranteed values.
4. When using this product, please observe the absolute maximum ratings and the instructions for using outlined in these specification sheets. EVERLIGHT assumes no responsibility for any damage resulting from the use of the product which does not comply with the absolute maximum ratings and the instructions included in these specification sheets.
5. These specification sheets include materials protected under copyright of EVERLIGHT. Reproduction in any form is prohibited without obtaining EVERLIGHT's prior consent.
6. This product is not intended to be used for military, aircraft, automotive, medical, life sustaining or life saving applications or any other application which can result in human injury or death. Please contact authorized Everlight sales agent for special application request.

EVERLIGHT ELECTRONICS CO., LTD.
Office: No 25, Lane 76, Sec 3, Chung Yang Rd,
Tucheng, Taipei 236, Taiwan, R.O.C

Tel: 886-2-2267-2000, 2267-9936
Fax: 886-2267-6244, 2267-6189, 2267-6306
<http://www.everlight.com>