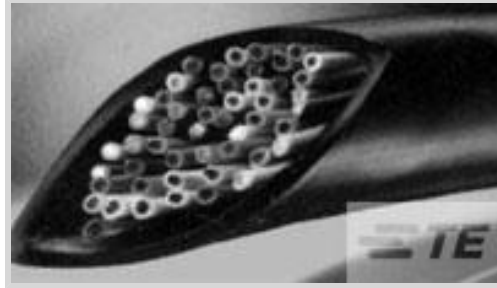




Heat Shrink Tubing > Single Wall NT MIL: Heat Shrink Tubing, 1.75:1 Shrink Ratio



Primary Product Color: **Black**

Wall Type: **Single Wall**

Expanded Inside Diameter (Min): **12.7 mm [.5 in]**

Recovered Inside Diameter (Max): **7.3 mm [.287 in]**

Shrink Ratio: **1.75:1**

[All Single Wall NT MIL: Heat Shrink Tubing, 1.75:1 Shrink Ratio \(15\)](#)

Features

Product Type Features

Wall Type	Single Wall
-----------	-------------

Body Features

Material Systems Code	20
Fluid Type	Aviation Fuel, Chemicals/Solvents, Ground Vehicle Fuels, Hydraulic Fluid, Lubricating Oil, Water
Primary Product Color	Black
Shrink Ratio	1.75:1
Primary Product Material	Chlorinated Polyolefin
Flexibility	Flexible

Dimensions

Recovered Wall Thickness (Nominal)	1.21 mm[.048 in]
Expanded Inside Diameter (Min)	12.7 mm[.5 in]
Recovered Inside Diameter (Max)	7.3 mm[.287 in]
Tubing Size Range	7.3 – 12.7 mm[.287 – .5 in]

Usage Conditions

Shrink Temperature (Min)	135 °C
--------------------------	--------



Tubing Flammability Type	Flame-Retardant
--------------------------	-----------------

Operating Temperature Range	-70 – 121 °C
-----------------------------	--------------

Recovery Temperature	135 °C
----------------------	--------

Operation/Application

Mechanical Resistance	Abrasion, Fluids, Mechanical Damage, Strain Relief
-----------------------	--

Product Availability

Applicable Region	Worldwide
-------------------	-----------

Packaging Features

Packaging Method	Piece
------------------	-------

Other

Meets Low Outgassing Requirements	No
-----------------------------------	----

Product Source	US
----------------	----

Product Compliance

[For compliance documentation, visit the product page on TE.com>](#)

EU RoHS Directive 2011/65/EU	Compliant
------------------------------	-----------

EU ELV Directive 2000/53/EC	Compliant
-----------------------------	-----------

China RoHS 2 Directive MIIT Order No 32, 2016	No Restricted Materials Above Threshold
---	---

EU REACH Regulation (EC) No. 1907/2006	Current ECHA Candidate List: JUNE 2024 (241) Candidate List Declared Against: JAN 2024 (240) Does not contain REACH SVHC
--	--

Halogen Content	BFR/CFR/PVC Free, but Br/Cl >900 ppm in other sources.
-----------------	--

Solder Process Capability	Not applicable for solder process capability
---------------------------	--

Product Compliance Disclaimer

This information is provided based on reasonable inquiry of our suppliers and represents our current actual knowledge based on the information they provided. This information is subject to change. The part numbers that TE has identified as EU RoHS compliant have a maximum concentration of 0.1% by weight in homogenous materials for lead, hexavalent chromium, mercury, PBB, PBDE, DBP, BBP, DEHP, DIBP, and 0.01% for cadmium, or qualify for an exemption to these limits as defined in the Annexes of Directive 2011/65/EU (RoHS2). Finished electrical and electronic equipment products will be CE marked as required by Directive 2011/65/EU. Components may not be CE marked. Additionally, the part numbers that TE has identified as EU ELV compliant have a maximum concentration of 0.1% by weight in homogenous materials for lead, hexavalent chromium, and mercury, and 0.01% for cadmium, or qualify for an exemption to these limits as defined in the Annexes of Directive 2000/53/EC (ELV). Regarding the REACH Regulation, the information TE provides on SVHC in articles for this part number is based on the latest European Chemicals Agency (ECHA) 'Guidance on requirements for substances in articles' posted at this URL: <https://echa.europa.eu/guidance-documents/guidance-on-reach>



Customers Also Bought



TE Part #E26016-000
Single Wall NT MIL: Heat Shrink Tubing, 1.75:1 Shrink Ratio



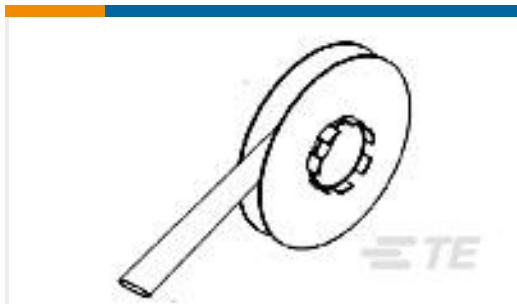
TE Part #5677924005
RNF-3000-6/2-X-SP



TE Part #NB09312001
ATUM-12/4-0-STK



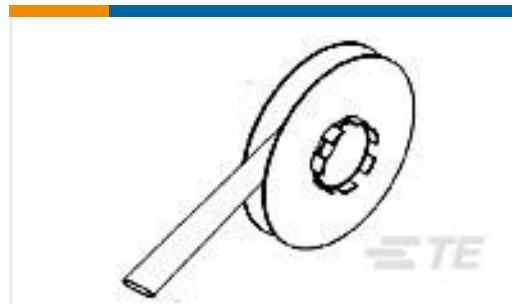
TE Part #NB3419-000
SCL-3/16-0-BULK-COIL



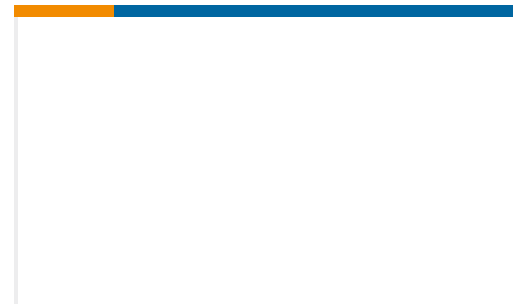
TE Part #838912-000
TTMS-4.8-0



TE Part #141469-000
TTMS-6.4-4



TE Part #946593-000
TTMS-4.8-9



TE Part #EXB220TN
DUCK,EXB,220-225MHz,1/4W

Documents

Product Drawings

[NT-MIL-1/2-0-SP](#)

English

Datasheets & Catalog Pages

[1654025_Sec3_NT-MIL](#)

English

[Flexible, Rugged, Modified Elastomeric Heat-Shrinkable Tubing](#)

English

Product Specifications

[Raychem NT-MIL Tubing Modified Chlorinated Polyolefin, Elastomeric, Flexible, Flame Retarded, Heat-Shrinkable](#)

English