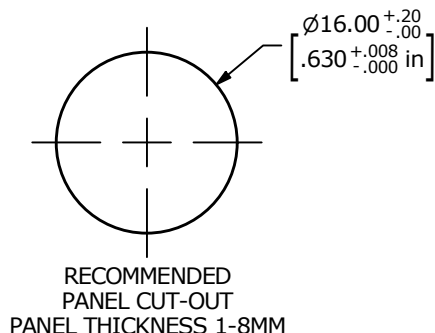
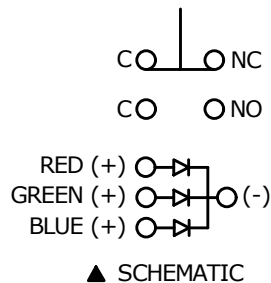
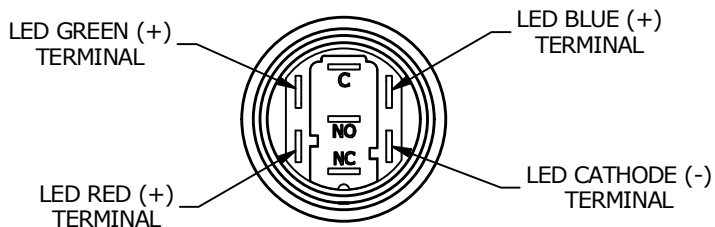
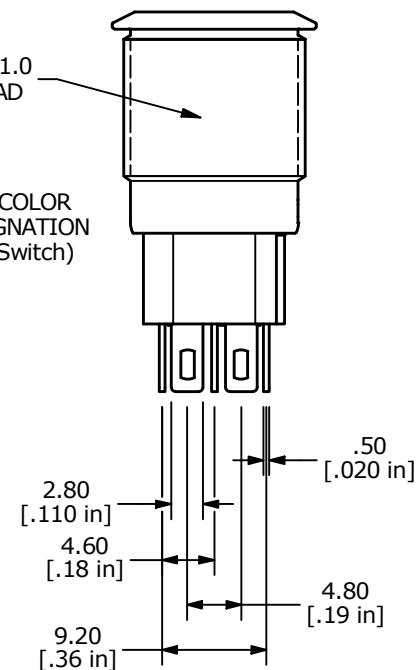
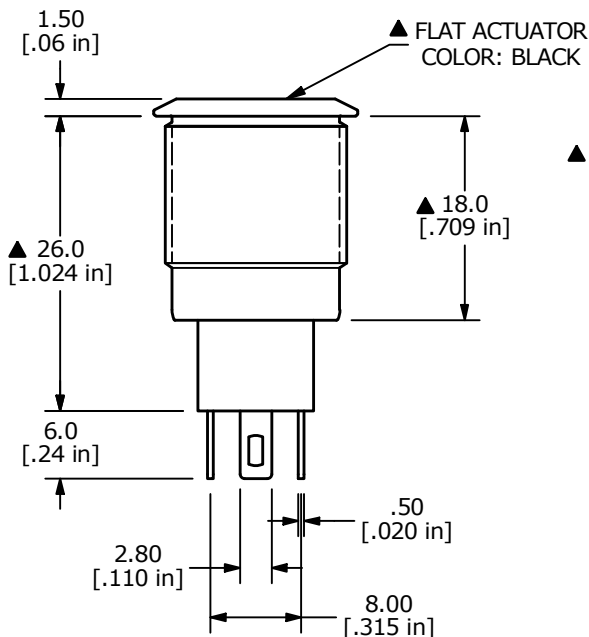
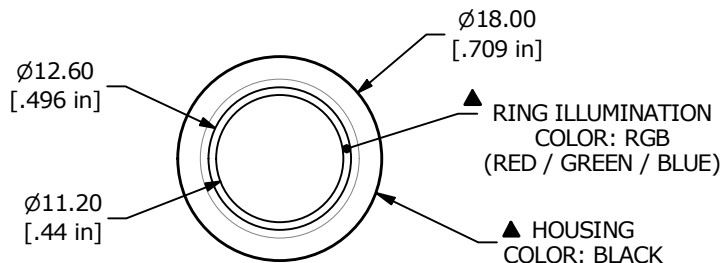


SWITCH FUNCTION	
POS. 1	POS. 2
ON	ON
C - NC	C - NO



- NOTE:
- ALL DIMENSIONS IN mm [INCH]
 - GENERAL TOLERANCE: X.X = ±0.4
X.XX = ±0.25
 - TERMINAL NUMBERS FOR REF ONLY
 - CONTACT MATERIAL: SILVER
 - RATING: 2A 36VDC
 - ELECTRIC LIFE: 50,000 MAKE-AND-BREAK CYCLES AT FULL LOAD.
 - INSULATION RESISTANCE: 1,000 MΩ MIN.
 - DIELECTRIC STRENGTH: 1,500 VAC MIN. FOR 1 MINUTE
 - CONTACT RESISTANCE: 50mΩ MAX.
 - OPERATING TEMP.: -25°C to 55°C
 - TRAVEL: 3.0mm
 - ▲ DENOTES CRITICAL PARAMETER
 - ACTUATION FORCE: 1.7N NOMINAL
 - INGRESS PROTECTION: IP65
 - HARDWARE SUPPLIED: O-RING AND HEXNUT
 - ▲ LAMP VOLTAGE: BASE VOLTAGE
1.8V RED; 2.8V GREEN; 2.8V BLUE



REV	ECO NO	DESCRIPTION	DATE	BY
E	ECO-101599	PRINT UPDATE	02/01/23	JS



OBJECT ID
000003231

TITLE PVA3F230113R1				
SCALE 3:2	DATE 3/1/2018	DR MJR	DWG 52-PVA3F230113R1	REV E