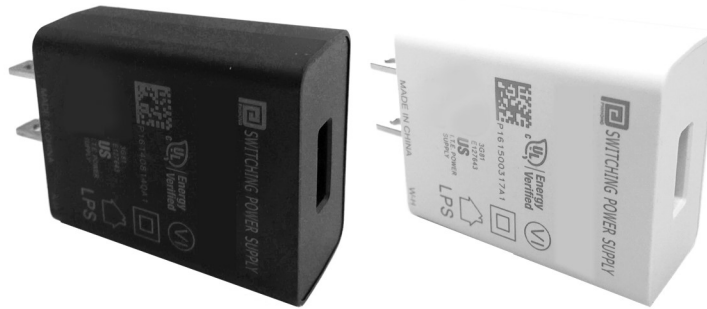




5W Compact Fixed Blade USB Charger - US



Features

- Fixed Blade
- Low Profile
- Low Cost
- US DoE Level VI Compliance
- 5,000 Meters Operating Altitude

Applications

- Smart Phones
- PDAs
- Personal Electronics
- Digital Cameras



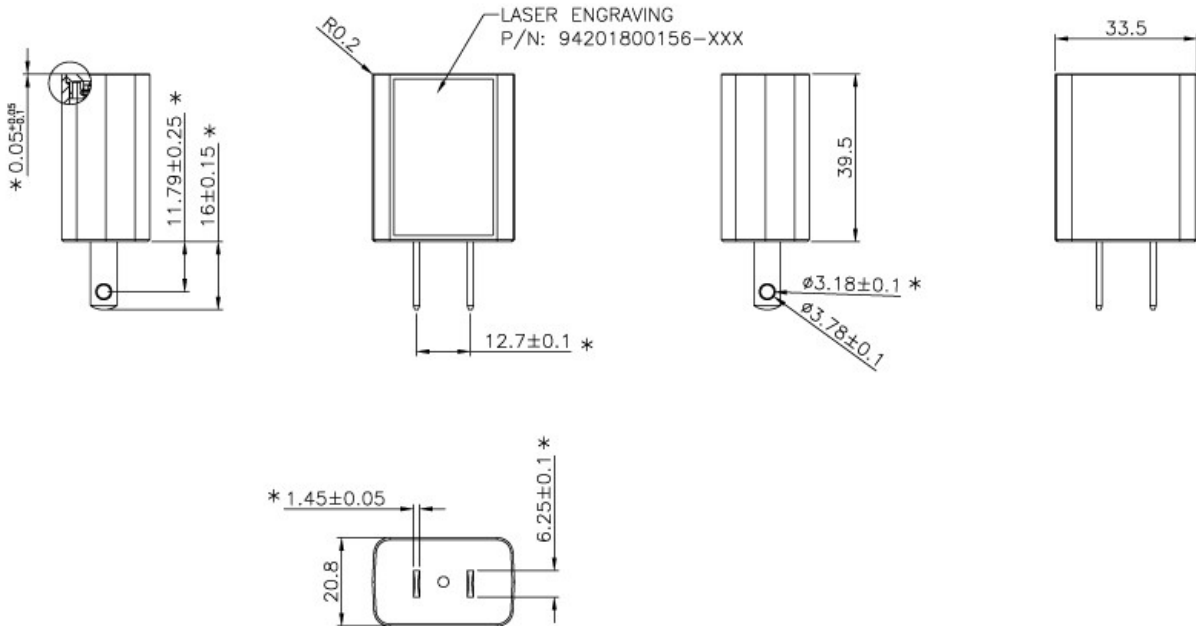
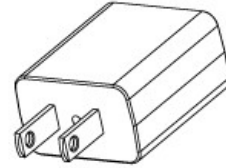
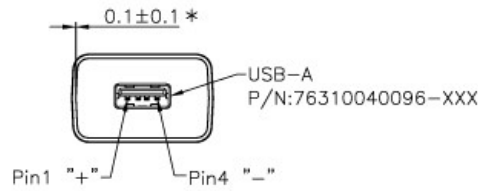


PSAA05A Specifications¹

Model		PSAA05A-050QL6-R	PSAA05A-050QL6W-R ²
Output	DC Output Voltage	5.0V	
	Max Current	1.0A	
	Output Power	5.0W	
	Regulation	± 5%	
	Ripple & Noise P-P(max) ³	200mV	
Input	AC Input Voltage Range	90 to 264VAC	
	AC Input Frequency	47 to 63Hz	
	Input Current	0.2A(RMS) max at 115VAC; 0.15A(RMS) max at 230VAC	
	Inrush Current	30A max @264VAC (cold start @ambient 25°C)	
	No Load Power Consumption at 115VAC Input	0.030W	
	115VAC Average Efficiency ⁴	75.53%	
	Leakage Current	0.025mA max	
Protection	Over-Voltage	<7.5V	
	Short Circuit	Auto restart	
	Over-Current	1.5A Max.	
Environmental	Operating Temperature	-10°C to +45°C	
	Non-Operating Temperature	-40° to +70°C	
	Operating Humidity	5 to 95%	
Safety Approvals and EMC	Dielectric Withstand (HI-POT)	Primary to Secondary: 3000VAC for 1min, 10mA	
	Insulation Resistance	Primary to Secondary: 10M ohm for 500VDC	
	Standards	cULus 62368-1, PSE	
	EMI Emissions	FCC Part 15 Class B, CAN ICES-003(B)/NMB 003(B) Conducted and Radiated	
Mechanical	Dimensions (L x W x H)	55.5mm (2.19in) x 33.5mm (1.32in) x 20.8mm (0.82in)	
	Weight	25g	
	DC Output Connector	USB CONN, 4PIN. D+ D- shorted, compliant to USB BC1.2	
	Case Color	Black	White
Notes	<ol style="list-style-type: none"> The specifications defined are at ambient temperature of 25C, unless otherwise specified. Special order item. Minimum order quantity applies. 20MHz bandwidth frequency oscilloscope, add a 0.1µF multilayer Cap. and Low ESR Electrolytic Cap. (10µF) at output connector terminals (nominal line voltage, full load). Efficiency is measured after 30 minutes burn-in. 		



PSAA05A Outline Drawing



Supplier's Declaration of Conformity
47 CFR § 2.1077 Compliance Information

Phihong USA Corporation
47800 Fremont Boulevard
Fremont, CA 94538
Telephone: (510) 445-0100
www.phihong.com

NOTE: This model has/The models in this products series have been tested and found to comply with the limits for a Class B digital device, pursuant to part 15 of the FCC Rules. These limits are designed to provide reasonable protection against harmful interference in a residential installation. This equipment generates, uses and can radiate radio frequency energy and, if not installed and used in accordance with the instructions, may cause harmful interference to radio communications. However, there is no guarantee that interference will not occur in a particular installation. If this equipment does cause harmful interference to radio or television reception, which can be determined by turning the equipment off and on, the user is encouraged to try to correct the interference by one or more of the following measures:

- Reorient or relocate the receiving antenna.
- Increase the separation between the equipment and receiver.
- Connect the equipment into an outlet on a circuit different from that to which the receiver is connected.
- Consult the dealer or an experienced radio/TV technician for help.

Changes or modifications to equipment not expressly approved by PHIHONG could void the user's authority to operate the equipment.



USB Cables – Sold Separately

Unit: mm

Part no: IP-USB1(C10)S	Desc: USB-A to Micro-B – 1 Meter – Black
Part no: IPUSB1CS	Desc: USB to Mini-B – 1.5 Meter – Black
Part no: IPUSB1MS	Desc: USB-A to Micro-B – 1.5 Meter – Black
Part no: IPUSB1M5LD	Desc: USB-A to Micro-B – 24AWG – Low Drop – 1.5 Meter – Black
Part no: IPUSB1P5	Desc: USB-A to Micro-B – 1 Meter – 24AWG – Black
Part no: IPUSB1P5W	Desc: USB-A to Micro-B – 1 Meter – 24AWG – White

Part no: IPUSB1MSW	Desc: USB-A to Micro-B – 1.5 Meter – White
Part no: UES-1001A160	Desc: Low Drop Type-C USB Cable – 1 Meter – 23AWG on Power – 30AWG on Data - Black
Part no: UES-1003A160	Desc: Low Drop Type-C USB Cable - 1 Meter – 23AWG on Power – 30AWG on Data - White