



Alcoswitch

TE Internal #: 1571113-1

Rocker Switches, High Power, Panel, Panel Cutout Size 1.002 x 1.086 in [21.2 x 37 mm], Silver, Double Pole - Single Throw Configuration (Pole-Throw)

[View on TE.com >](#)

Switches > Rocker Switches



Switch Type: **High Power**

Product Mount Type: **Panel**

Indicator/Imprint Legend: **None**

Panel Cutout Size: **21.2 x 37 mm [1.002 x 1.086 in]**

Switch Contact Plating Material: **Silver**

Features

Product Type Features

Switch Type	High Power
Actuator Type	Top
Actuator Style	Rocker
Switch Connection Type	Quick Connect Terminal

Configuration Features

Indicator/Imprint Legend	None
Panel Cutout Size	21.2 x 37 mm[1.002 x 1.086 in]
Configuration (Pole-Throw)	Double Pole - Single Throw
Operating Function	On On

Electrical Characteristics

Power Rating	.33 hp
Contact Current Rating	16 A
Operating Voltage Range	125 VAC

Body Features



Product Orientation	Vertical
---------------------	----------

Actuator Color	Black
----------------	-------

Contact Features

Terminal Tab Width	6.35 mm [.24 in]
--------------------	------------------

Switch Contact Plating Material	Silver
---------------------------------	--------

Mechanical Attachment

Product Mount Type	Panel
--------------------	-------

Housing Features

Process Sealed	No
----------------	----

Industry Standards

Compatible With Agency/Standards Products	VDE
---	-----

Compatible With Approved Standards Products	UL E46765
---	-----------

Product Compliance

[For compliance documentation, visit the product page on TE.com>](#)

EU RoHS Directive 2011/65/EU	Compliant
------------------------------	-----------

EU ELV Directive 2000/53/EC	Compliant
-----------------------------	-----------

China RoHS 2 Directive MIIT Order No 32, 2016	No Restricted Materials Above Threshold
---	---

EU REACH Regulation (EC) No. 1907/2006	Current ECHA Candidate List: JUNE 2024 (241) Candidate List Declared Against: JUNE 2023 (235) Does not contain REACH SVHC
--	---

Halogen Content	Not Yet Reviewed for halogen content
-----------------	--------------------------------------

Solder Process Capability	Not applicable for solder process capability
---------------------------	--

Product Compliance Disclaimer

This information is provided based on reasonable inquiry of our suppliers and represents our current actual knowledge based on the information they provided. This information is subject to change. The part numbers that TE has identified as EU RoHS compliant have a maximum concentration of 0.1% by weight in homogenous materials for lead, hexavalent chromium, mercury, PBB, PBDE, DBP, BBP, DEHP, DIBP, and 0.01% for cadmium, or qualify for an exemption to these limits as defined in the Annexes of Directive 2011/65/EU (RoHS2). Finished electrical and electronic equipment products will be CE marked as required by Directive 2011/65/EU. Components may not be CE marked. Additionally, the part numbers that TE has identified as EU ELV compliant have a maximum concentration of 0.1% by weight in homogenous materials for lead, hexavalent chromium, and mercury, and 0.01% for cadmium, or qualify for an exemption to these limits as defined in the Annexes of Directive 2000/53/EC (ELV). Regarding the REACH Regulation, the information TE provides on SVHC in articles for this part number is based on the latest European Chemicals Agency (ECHA) 'Guidance on requirements for substances in articles' posted at this URL: <https://echa.europa.eu/guidance-documents/guidance-on-reach>

Compatible Parts



TE Part # 1571103-1
PRDDA1-16F-BB000,POWER ROCKER



TE Part # 1571113-4
PRDDD3-16F-BB000=POWER ROCKER



TE Part # 1571103-5
PRDDA1-16F-BB0HW,POWER ROCKER



TE Part # 1571103-3
PRDDA1-16F-BB0CW,POWER ROCKER



TE Part # 1571113-2
PRDDD1-16F-BB0DW,POWER ROCKER



TE Part # 1571113-6
PRDDD3-16F-BB0GW=POWER ROCKER

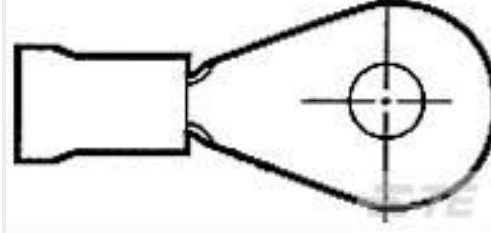
Customers Also Bought



TE Part #194012-1
PIN ASSY..070



TE Part #5-104363-1
02 MTE HDR SRST LATCH .100CL



TE Part #55621-1
TERMINAL R PG 8 1/4



TE Part #8-1437627-3
G12C=BUTTON GUARD CHROME



TE Part #1571103-1
PRDDA1-16F-BB000,POWER ROCKER



TE Part #2238141-1
250 POS LOC REC 20-18 FLAG NIST



TE Part #20007265-00
PRESS XDCR US342-000002-050PA

Documents

CAD Files

Customer View Model

[ENG_CVM_CVM_1571113-1_E.2d_dxf.zip](#)

English

[3D PDF](#)

3D

Customer View Model



[ENG_CVM_CVM_1571113-1_E.3d_igs.zip](#)

English

Customer View Model

[ENG_CVM_CVM_1571113-1_E.3d_stp.zip](#)

English

By downloading the CAD file I accept and agree to the [Terms and Conditions](#) of use.

Datasheets & Catalog Pages

[1654742_HOUSEHOLD_APPLIANCES_RAST5](#)

English