

PRBSA1-16F-BB0HW ✓ ACTIVE

Alcoswitch

TE Internal #: 1571091-9

Rocker Switches, High Power, Panel, Panel Cutout Size .545 x 1.086 in [13.8 x 27.6 mm], Silver, Single Pole - Single Throw Configuration (Pole-Throw)

[View on TE.com >](#)



Switches > Rocker Switches



Switch Type: **High Power**

Product Mount Type: **Panel**

Indicator/Imprint Legend: **On-Off**

Panel Cutout Size: **13.8 x 27.6 mm [.545 x 1.086 in]**

Switch Contact Plating Material: **Silver**

Features

Product Type Features

Switch Type	High Power
Actuator Type	Top
Actuator Style	Rocker
Switch Connection Type	Quick Connect Terminal

Configuration Features

Indicator/Imprint Legend	On-Off
Panel Cutout Size	13.8 x 27.6 mm [.545 x 1.086 in]
Configuration (Pole-Throw)	Single Pole - Single Throw
Operating Function	On None Off

Electrical Characteristics

Contact Current Rating	16 A
Operating Voltage Range	125 VAC

Body Features

Product Orientation	Vertical
---------------------	----------



Actuator Color	Black
----------------	-------

Contact Features

Terminal Tab Width	6.35 mm [.24 in]
--------------------	------------------

Switch Contact Plating Material	Silver
---------------------------------	--------

Mechanical Attachment

Product Mount Type	Panel
--------------------	-------

Housing Features

Process Sealed	No
----------------	----

Industry Standards

Compatible With Agency/Standards Products	VDE
---	-----

Compatible With Approved Standards Products	UL E46765
---	-----------

Product Compliance

[For compliance documentation, visit the product page on TE.com>](#)

EU RoHS Directive 2011/65/EU	Compliant
------------------------------	-----------

EU ELV Directive 2000/53/EC	Compliant
-----------------------------	-----------

China RoHS 2 Directive MIIT Order No 32, 2016	No Restricted Materials Above Threshold
---	---

EU REACH Regulation (EC) No. 1907/2006	Current ECHA Candidate List: JUNE 2024 (241) Candidate List Declared Against: JUNE 2022 (224) Does not contain REACH SVHC
--	---

Halogen Content	Not Yet Reviewed for halogen content
-----------------	--------------------------------------

Solder Process Capability	Not applicable for solder process capability
---------------------------	--

Product Compliance Disclaimer

This information is provided based on reasonable inquiry of our suppliers and represents our current actual knowledge based on the information they provided. This information is subject to change. The part numbers that TE has identified as EU RoHS compliant have a maximum concentration of 0.1% by weight in homogenous materials for lead, hexavalent chromium, mercury, PBB, PBDE, DBP, BBP, DEHP, DIBP, and 0.01% for cadmium, or qualify for an exemption to these limits as defined in the Annexes of Directive 2011/65/EU (RoHS2). Finished electrical and electronic equipment products will be CE marked as required by Directive 2011/65/EU. Components may not be CE marked. Additionally, the part numbers that TE has identified as EU ELV compliant have a maximum concentration of 0.1% by weight in homogenous materials for lead, hexavalent chromium, and mercury, and 0.01% for cadmium, or qualify for an exemption to these limits as defined in the Annexes of Directive 2000/53/EC (ELV). Regarding the REACH Regulation, the information TE provides on SVHC in articles for this part number is based on the latest European Chemicals Agency (ECHA) 'Guidance on requirements for substances in articles' posted at this URL: <https://echa.europa.eu/guidance-documents/guidance-on-reach>

Compatible Parts



TE Part # 1571091-1
PRBSA1-16F-BB000=POWER ROCKER



TE Part # 1571091-2
PRBSA1-16F-BB0BW=POWER ROCKER



TE Part # 1571092-1
PRBSB1-16F-BR000=POWER ROCKER



TE Part # 1571094-7
PRBSD3-16F-BW000,POWER ROCKER



TE Part # 1571091-3
PRBSA1-16F-BB0CW=POWER ROCKER



TE Part # 1571091-4
PRBSA1-16L-BB000=POWER ROCKER



TE Part # 1571092-3
PRBSB1-16F-BA000=POWER ROCKER



TE Part # 1571094-4
PRBSD3-16F-BB000,POWER ROCKER

Customers Also Bought



TE Part #6609069-3
16FC10 J0=F7740



TE Part #66504-3
20 DF SCKT CONT



TE Part #1-327717-2
PIDG SPD 22-16 COMM 22-18MIL 4



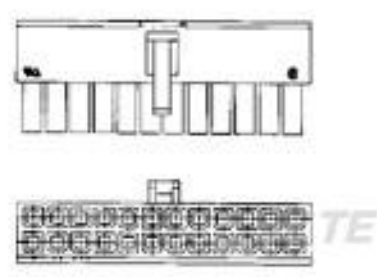
TE Part #1-480706-0
09P UMNL PLUG HSG NATL



TE Part #61945-1
187 FASTON REC 18-16 AWG TPBR



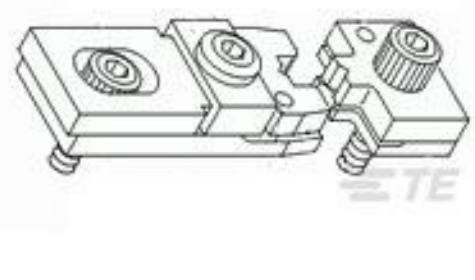
TE Part #350690-2
UMNL PIN 24-18 AUBR L/P



TE Part #1-1586019-4
14P RCPT VAL-U-LOK V0



TE Part #6-1423008-8
T92S7D2X-24-99



TE Part #69873
DIE PIDG 69875 16-14



TE Part #690482-6
FRONT SHEAR PLATE



Documents

Product Drawings

[PRBSA1-16F-BB0HW=POWER ROCKER](#)

English

CAD Files

3D PDF

3D

Customer View Model

[ENG_CVM_CVM_1571091-9_G.2d_dxf.zip](#)

English

Customer View Model

[ENG_CVM_CVM_1571091-9_G.3d_igs.zip](#)

English

Customer View Model

[ENG_CVM_CVM_1571091-9_G.3d_stp.zip](#)

English

By downloading the CAD file I accept and agree to the [Terms and Conditions](#) of use.

Datasheets & Catalog Pages

[1654742_HOUSEHOLD_APPLIANCES_RAST5](#)

English

Agency Approvals

[DEMKO Certificate](#)

English