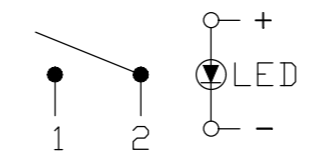


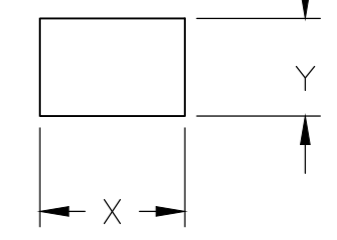
THIS DRAWING IS UNPUBLISHED. RELEASED FOR PUBLICATION
 © COPYRIGHT - TE Connectivity Ltd. ALL RIGHTS RESERVED.

REVISIONS					
P	LTR	DESCRIPTION	DATE	DWN	APVD
	M	REVISED PER ECO-18-017612	28NOV2018	RSM	PO

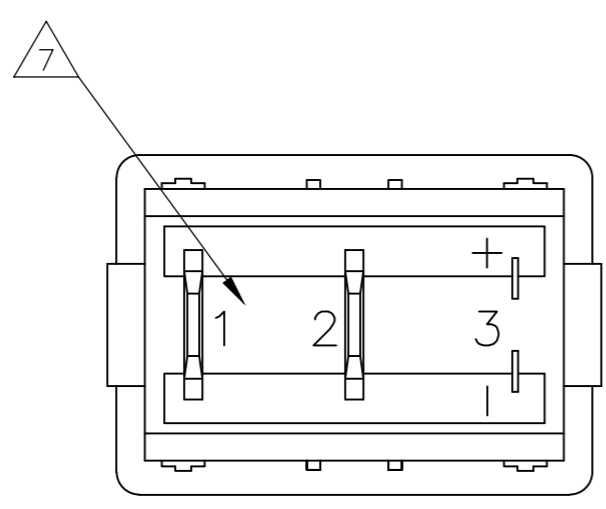
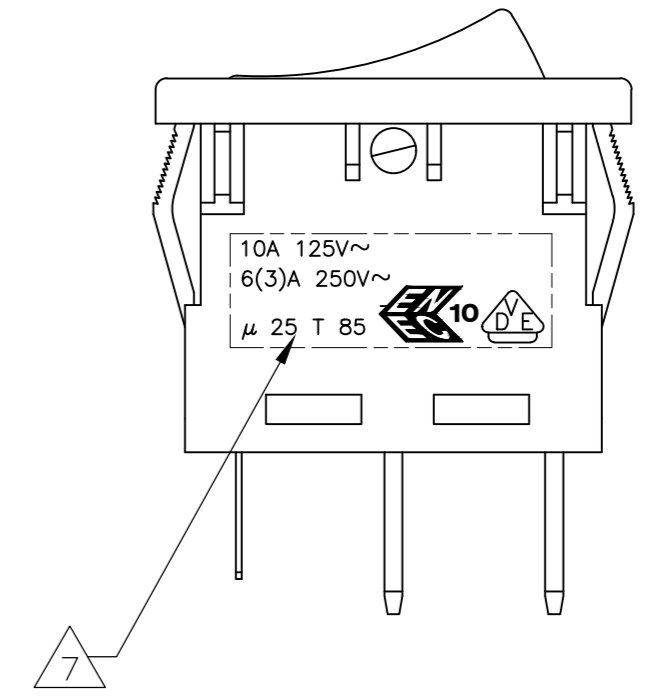
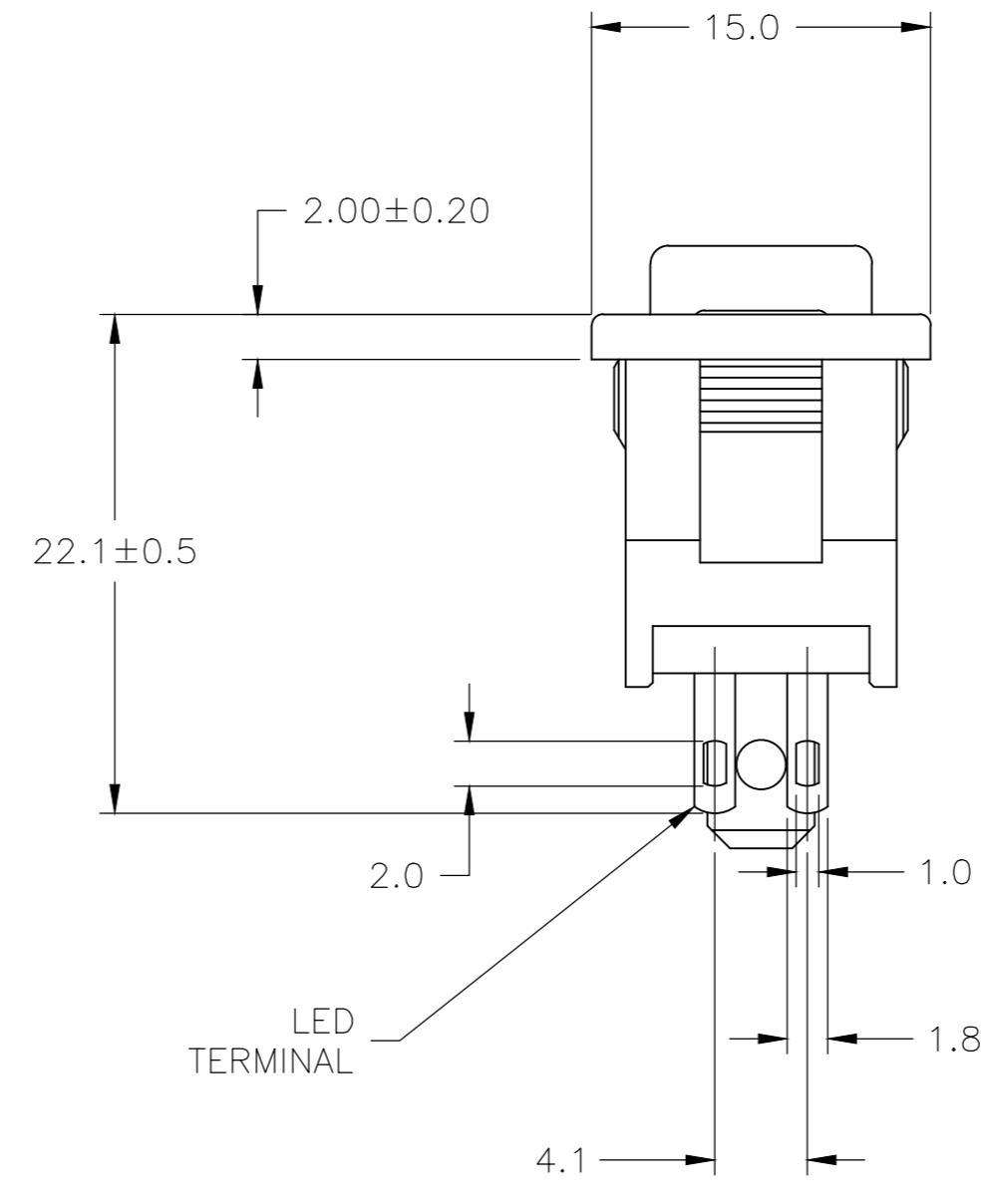
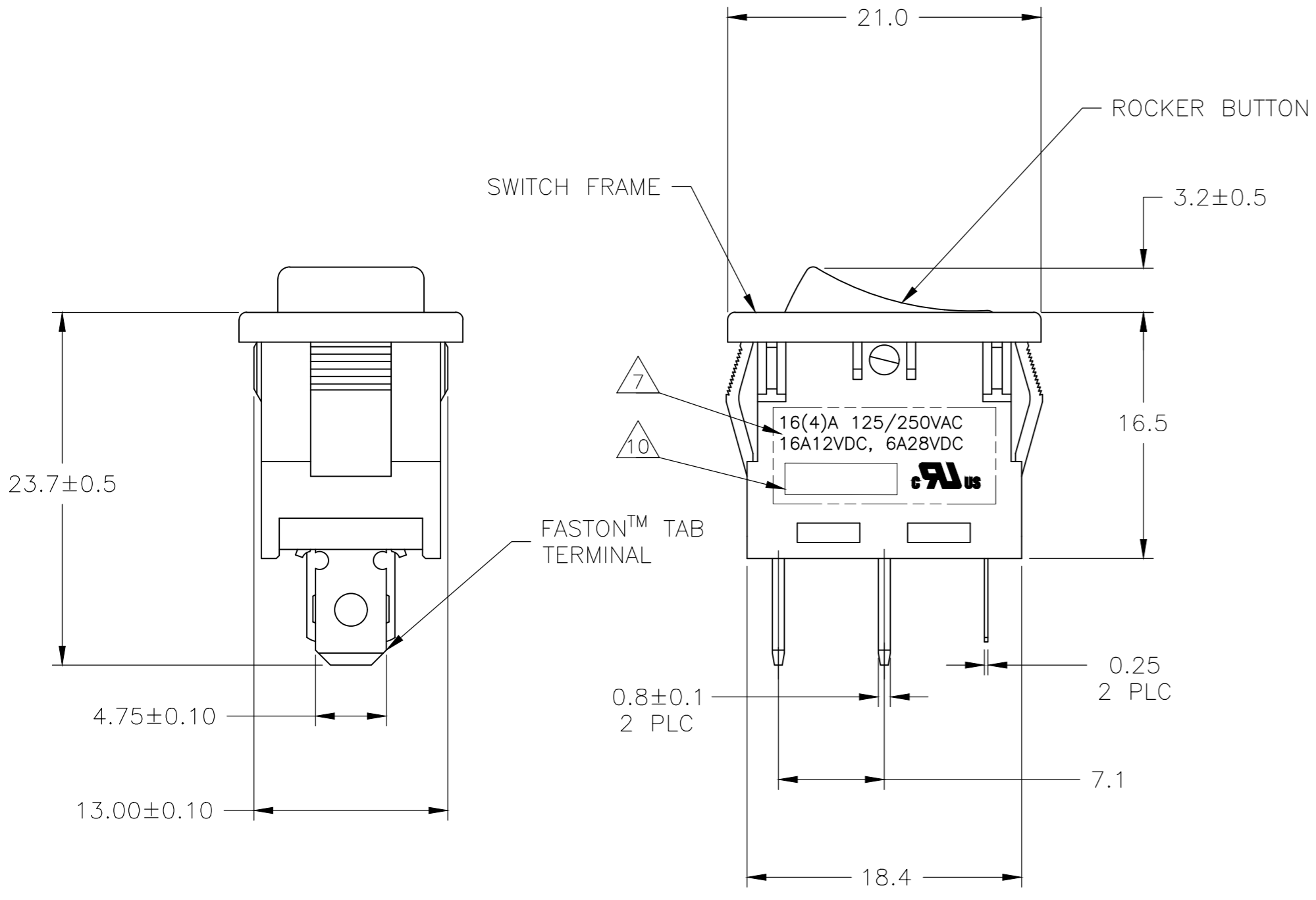
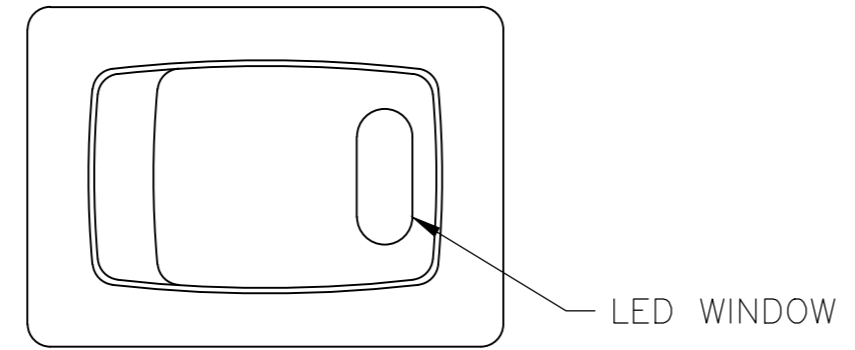
SWITCH FUNCTION C1
CIRCUIT DIAGRAM



PANEL CUT OUT



2.00-3.00	19.8-0.1	13.0+0.1
1.25-2.00	19.4-0.1	13.0+0.1
0.75-1.25	19.2-0.1	13.0+0.1
PANEL THICKNESS	X	Y



THIS DRAWING IS A CONTROLLED DOCUMENT.		DWN M.BINNER 25FEB2002	TE Connectivity Ltd.	
DIMENSIONS: MM		CHK J.MOSIER		
TOLERANCES UNLESS OTHERWISE SPECIFIED:		APVD -	NAME PWR ROCKER SW, 13.0mm X 19.2mm, SPST, LED	
0 PLC ± -		PRODUCT SPEC	-	
1 PLC ± 0.30		APPLICATION SPEC	-	
2 PLC ± 0.05		WEIGHT	-	
3 PLC ± -		CUSTOMER DRAWING	-	
4 PLC ± -		SCALE 3:1	SHEET 1 of 2	
ANGLES ± -		FINISH	REV M	
MATERIAL		SIZE A2	CAGE CODE 00779	DRAWING NO. C-1571083

