

PR-21-REFLECTOR ✓ ACTIVE

RAYCHEM

TE Internal #: 991984-000

Discrete, Worldwide, Cable Assembly, Reflector, SolderSleeve Products, Heat Shrink Equipment

[View on TE.com >](#)



Application Tooling > Heat Shrink Equipment



Equipment Processing Type: **Discrete**

Applicable Region: **Worldwide**

Heat Shrink Equipment Application: **Cable Assembly**

Tooling Type: **Reflector**

Spare Parts Tooling Type: **SolderSleeve Products**

Features

Product Type Features

Spare Parts Tooling Type	SolderSleeve Products
--------------------------	-----------------------

Product Availability

Applicable Region	Worldwide
-------------------	-----------

Other

Equipment Processing Type	Discrete
Heat Shrink Equipment Application	Cable Assembly
Tooling Type	Reflector

Product Compliance

[For compliance documentation, visit the product page on TE.com>](#)

EU RoHS Directive 2011/65/EU	Compliant
EU ELV Directive 2000/53/EC	Out of Scope
China RoHS 2 Directive MIIT Order No 32, 2016	No Restricted Materials Above Threshold
EU REACH Regulation (EC) No. 1907/2006	Current ECHA Candidate List: JUNE 2024 (241) Candidate List Declared Against: JAN 2024 (240) Does not contain REACH SVHC
Halogen Content	Low Halogen - Br, Cl, F, I < 900 ppm per homogenous material. Also BFR/CFR/PVC

Free

Solder Process Capability

Not applicable for solder process capability

Product Compliance Disclaimer

This information is provided based on reasonable inquiry of our suppliers and represents our current actual knowledge based on the information they provided. This information is subject to change. The part numbers that TE has identified as EU RoHS compliant have a maximum concentration of 0.1% by weight in homogenous materials for lead, hexavalent chromium, mercury, PBB, PBDE, DBP, BBP, DEHP, DIBP, and 0.01% for cadmium, or qualify for an exemption to these limits as defined in the Annexes of Directive 2011/65/EU (RoHS2). Finished electrical and electronic equipment products will be CE marked as required by Directive 2011/65/EU. Components may not be CE marked. Additionally, the part numbers that TE has identified as EU ELV compliant have a maximum concentration of 0.1% by weight in homogenous materials for lead, hexavalent chromium, and mercury, and 0.01% for cadmium, or qualify for an exemption to these limits as defined in the Annexes of Directive 2000/53/EC (ELV). Regarding the REACH Regulation, the information TE provides on SVHC in articles for this part number is based on the latest European Chemicals Agency (ECHA) 'Guidance on requirements for substances in articles' posted at this URL: <https://echa.europa.eu/guidance-documents/guidance-on-reach>

Compatible Parts

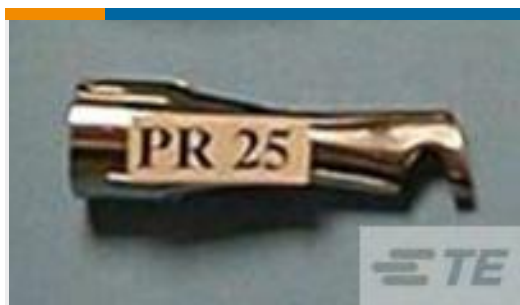


TE Part # EG1114-000
CV1981-ST-230V1600W-EU



TE Part # EG1115-000
CV1981-ST-230V1600W-CH

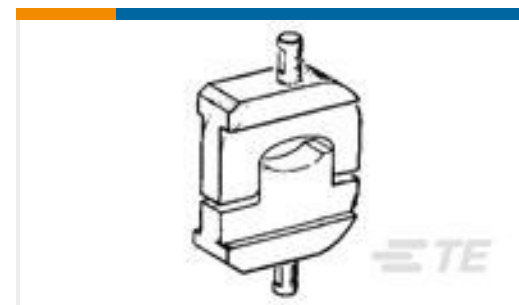
Customers Also Bought



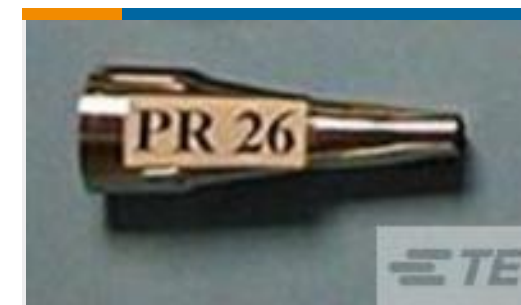
TE Part #991965-000
PR-25-REFLECTOR



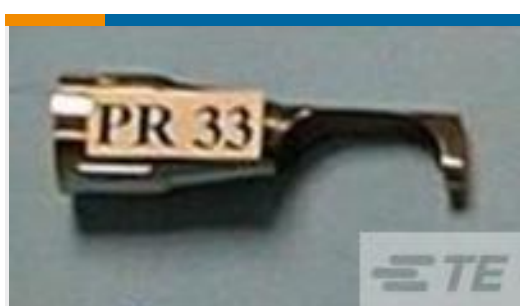
TE Part #1490414-1
HYP10 SOLIS 8AWG INDENTER



TE Part #69216
HYP8/10 SOLIS 8AWG DIE SET



TE Part #991967-000
PR-26-REFLECTOR



TE Part #997768-000
PR-33-REFLECTOR



TE Part #991974-000
PR-13C-REFLECTOR



TE Part #1901238-1
LOCATOR, (.371)



TE Part #525441-6
PLUG GAUGE, HANDTOOL



Documents

Product Drawings

[PR-21-REFLECTOR](#)

English

Datasheets & Catalog Pages

[RAYCHEM_TUBING_CATALOG_SEC2_APPLICATION_EQUIPMENT](#)

English

[Raychem Application Tooling](#)

English

Agency Approvals

[Agency Approval Document](#)

German