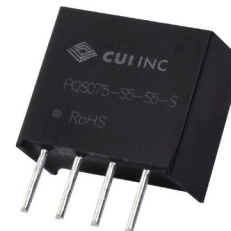


SERIES: PQS075-S | **DESCRIPTION:** DC-DC CONVERTER

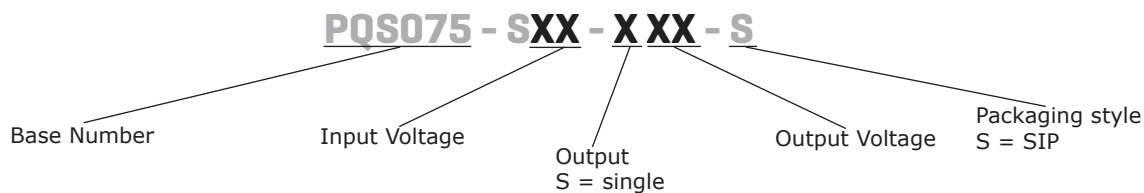
FEATURES

- 0.75W isolated output
- single regulated output
- high efficiency up to 74%
- continuous short circuit protection
- 1500 Vdc isolation
- EN62368 approved
- meets UL62368 standards



MODEL	input voltage		output voltage	output current		output power	ripple & noise ¹	efficiency
	typ (Vdc)	range (Vdc)	(Vdc)	min (mA)	max (mA)	max (W)	max (mVp-p)	typ (%)
PQS075-S5-S3-S	5	4.75~5.25	3.3	20	200	0.66	75	68
PQS075-S5-S5-S	5	4.75~5.25	5.0	15	150	0.75	75	72
PQS075-S5-S9-S	5	4.75~5.25	9.0	9	83	0.75	75	72
PQS075-S5-S12-S	5	4.75~5.25	12.0	7	62	0.74	75	73
PQS075-S5-S15-S	5	4.75~5.25	15.0	5	50	0.75	75	74

Notes: 1. Ripple and noise are measured at 20 MHz BW by "parallel cable" method.

PART NUMBER KEY


INPUT

parameter	conditions/description	min	typ	max	units
operating input voltage		4.75	5.0	5.25	Vdc
current	full load / no load				
	3.3 Vdc, 5 Vdc output		209/5	221/10	mA
	9 Vdc, 12 Vdc output		208/12	221/20	mA
	15 Vdc output		202/18	215/30	mA
filter	capacitance filter				

OUTPUT

parameter	conditions/description	min	typ	max	units
maximum capacitive load	3 Vdc			2,400	μF
	5 Vdc			2,400	μF
	9 Vdc			1,000	μF
	12 Vdc			560	μF
	15 Vdc			560	μF
voltage accuracy				±3	%
line regulation				±0.25	%
load regulation	10%~100% load				
	3.3 Vdc output other outputs			±3 ±2	% %
switching frequency	at full load, nominal input voltage		270		kHz
temperature coefficient	at full load		±0.02		%/°C

PROTECTIONS

parameter	conditions/description	min	typ	max	units
short circuit protection	continuous, auto recovery				

SAFETY AND COMPLIANCE

parameter	conditions/description	min	typ	max	units
isolation voltage	input to output, for 1 minute with 1 mA max	1,500			Vdc
isolation resistance	input to output at 500 Vdc	1,000			MΩ
isolation capacitance	input to output, 100 kHz / 0.1 V		20		pF
safety approvals	EN/IEC 62368				
EMI/EMC	CISPR32/EN 55032 Class B (see recommended circuit)				
ESD	IEC/EN 61000-4-2 Air ±8kV, Contact ±4kV, perf. Criteria B				
MTBF	as per MIL-HDBK-217F, 25°C	3,500			K hours
RoHS	yes				

ENVIRONMENTAL

parameter	conditions/description	min	typ	max	units
operating temperature	see derating curve	-40		85	°C
storage temperature		-55		125	°C
storage humidity	non-condensing	0		95	%
vibration	10-155Hz, 5G, 30 min. along X, Y and Z				

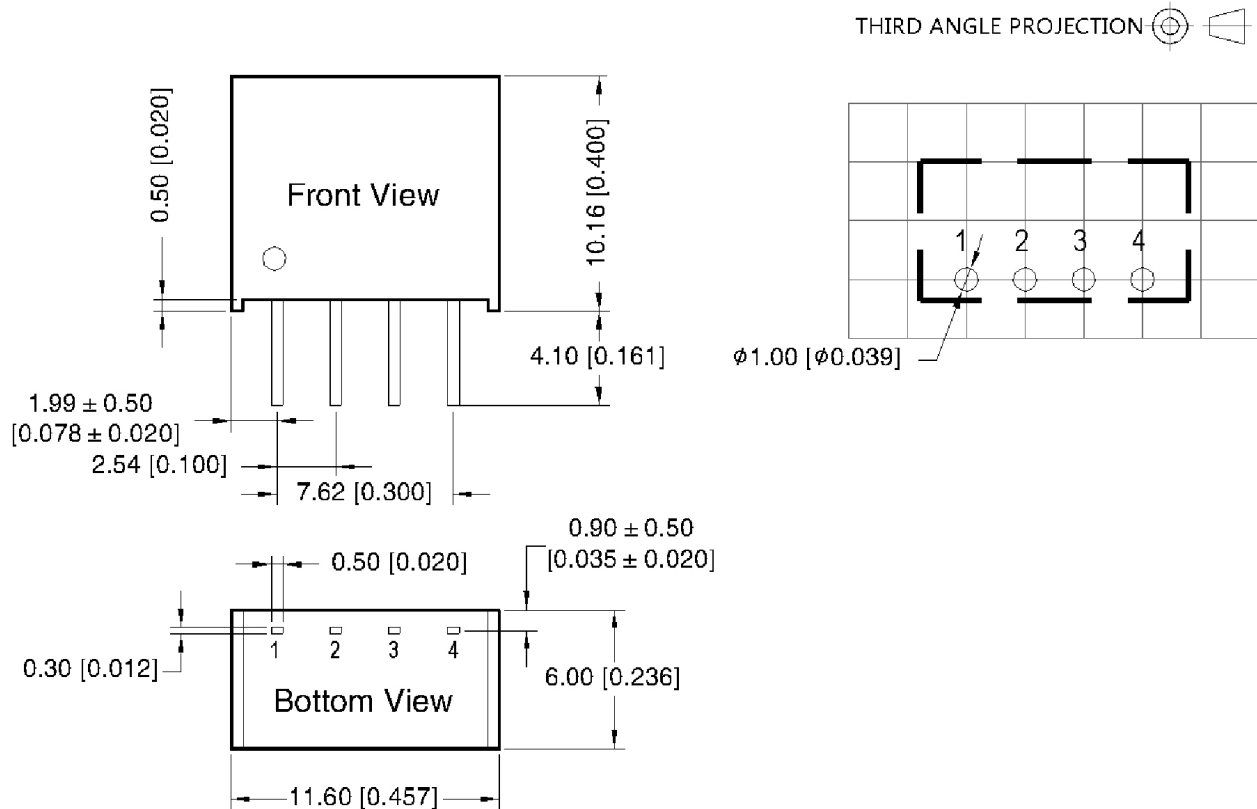
MECHANICAL

parameter	conditions/description	min	typ	max	units
dimensions	11.60 x 6.00 x 10.16 [0.457 x 0.236 x 0.4 inch]				mm
case material	black plastic				
weight			1.3		g

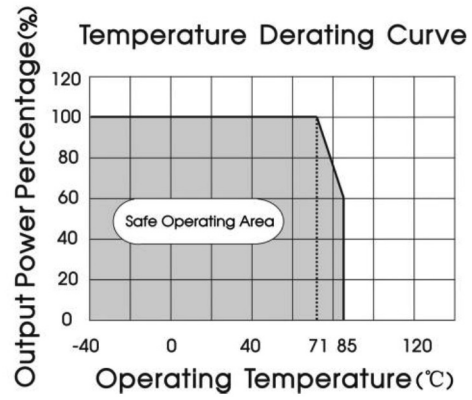
MECHANICAL DRAWING

units: mm [inch]
 pin section tolerance: ± 0.10 [± 0.020]
 general diameter tolerance: ± 0.10 [± 0.004]

PIN Out	
PIN	Function
1	GND
2	Vin
3	0V
4	+Vo



DERATING CURVES



APPLICATION CIRCUIT

Figure 1



Table 1

Vin (Vdc)	Cin (μF)	Vo (Vdc)	Cout (μF)
5	4.7	3.3/5	10
--	--	9/12	2.2
--	--	15	1

EMC RECOMMENDED CIRCUIT

Figure 2

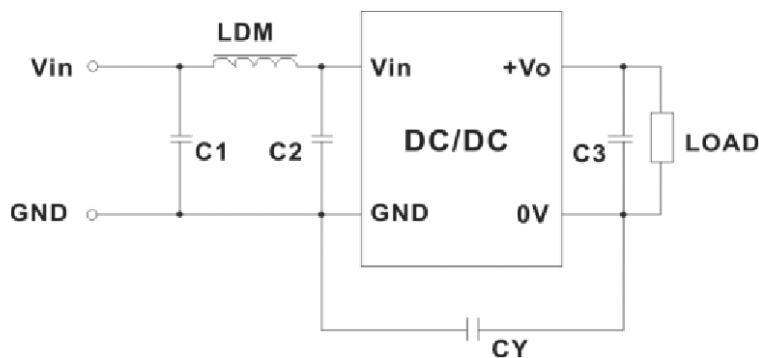


Table 2

Input voltage 5 Vdc	Output voltage (Vdc)	3.3/5/9	12/15	
	EMI	C1/C2	4.7μF/25V	4.7μF/25V
		CY	--	1nF/4KVdc Vishay HGZ10102MBP TDK CD45-E2GA102M-GKA
		C3	Refer to the Cout in table 1	
		LDM	6.8μH	6.8μH

REVISION HISTORY

rev.	description	date
1.0	initial release	08/17/2020

The revision history provided is for informational purposes only and is believed to be accurate.



Headquarters
20050 SW 112th Ave.
Tualatin, OR 97062
800.275.4899

Fax 503.612.2383
cui.com
techsupport@cui.com

CUI offers a two (2) year limited warranty. Complete warranty information is listed on our website.

CUI reserves the right to make changes to the product at any time without notice. Information provided by CUI is believed to be accurate and reliable. However, no responsibility is assumed by CUI for its use, nor for any infringements of patents or other rights of third parties which may result from its use.

CUI products are not authorized or warranted for use as critical components in equipment that requires an extremely high level of reliability. A critical component is any component of a life support device or system whose failure to perform can be reasonably expected to cause the failure of the life support device or system, or to affect its safety or effectiveness.