

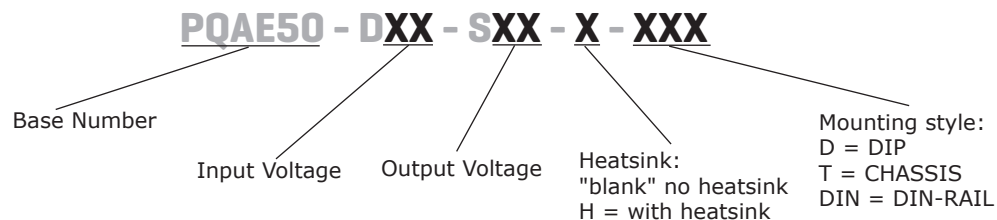
SERIES: PQAE50 | DESCRIPTION: DC-DC CONVERTER
FEATURES

- up to 50 W isolated output
- 2:1 input range (18~36 Vdc, 36~75 Vdc)
- single, regulated output
- 1,500 Vdc isolation
- short circuit, over current, input under, voltage protection
- remote on/off
- wide operating temperature range -40~105°C
- efficiency up to 92%
- EN62368 certified, meets UL62368



MODEL	input voltage		output voltage (Vdc)	output current		output power max (W)	ripple and noise ¹ max (mVp-p)	efficiency ² typ (%)
	typ (Vdc)	range (Vdc)		min (A)	max (A)			
PQAE50-D24-S3	24	18~36	3.3	0.5	10.0	33	200	91
PQAE50-D24-S5	24	18~36	5	0.5	10.0	50	200	91
PQAE50-D24-S12	24	18~36	12	0.208	4.167	50	250	91
PQAE50-D24-S15	24	18~36	15	0.167	3.333	50	250	91
PQAE50-D24-S24	24	18~36	24	0.104	2.083	50	300	91
PQAE50-D48-S3	48	36~75	3.3	0	10.0	33	200	91
PQAE50-D48-S5	48	36~75	5	0	10.0	50	200	91
PQAE50-D48-S12	48	36~75	12	0	4.167	50	250	92
PQAE50-D48-S15	48	36~75	15	0	3.333	50	250	92
PQAE50-D48-S24	48	36~75	24	0	2.083	50	350	92

Notes: 1. Ripple and noise are measured at 20 MHz BW by "parallel cable" method with 1 μ F ceramic and 10 μ F electrolytic capacitors on the output.
 2. Measured at nominal input voltage and full load.

PART NUMBER KEY


INPUT

parameter	conditions/description	min	typ	max	units
input voltage	24 Vdc input models	18	24	40	Vdc
	48 Vdc input models	36	48	80	Vdc
start-up voltage	24 Vdc input models			18	Vdc
	48 Vdc input models			36	Vdc
under voltage protection	24 Vdc input models	11	13		Vdc
	48 Vdc input models	26	30		Vdc
surge voltage	for maximum of 1 second				
	24 Vdc input models	-0.7		50	Vdc
	48 Vdc input models	-0.7		80	Vdc
start-up time	nominal input, constant load		10	120	ms
CTRL ¹	models ON (CTRL open or connect TTL high level, 3~12 Vdc)				
	models OFF (CTRL connect GND or low level, 0~1.2 Vdc)				
	input current (models OFF)				
	24 Vdc input models		6	12	mA
	48 Vdc input models		2	12	mA
filter	pi filter				

Note 1. CTRL pin voltage is referenced to GND.

OUTPUT

parameter	conditions/description	min	typ	max	units
line regulation	full load, input voltage from low to high		±0.2	±0.5	%
load regulation	5% to 100% load		±0.5	±1	%
voltage accuracy	5% to 100% load		±1	±3	%
switching frequency	PWM mode		300		kHz
transient recovery time	25% load step change		250	500	µs
transient response deviation	25% load step change		±3	±8	%
	3.3 & 5 Vdc output models other output models		±3	±5	%
temperature coefficient	100% load			±0.03	%/°C
trim			±10		%

PROTECTIONS

parameter	conditions/description	min	typ	max	units
over voltage protection		110	140	160	%
over current protection		110	140	200	%
short circuit protection	continuous, automatic recovery				

SAFETY AND COMPLIANCE

parameter	conditions/description	min	typ	max	units
isolation voltage	input to output at 1 mA for 1 minute	1,500			Vdc
	input to output housing at 1 mA for 1 minute	1,000			Vdc
isolation resistance	input to output at 500 Vdc	100			MΩ
isolation capacitance	input to output at 100 kHz, 0.1 Vdc		2,200		pF
safety approvals	certified to 62368: EN/IEC				
conducted emissions	CISPR32/EN55032 CLASS B (see Fig.2 for recommended circuit)				
radiated emissions	CISPR32/EN55032 CLASS B (see Fig.2 for recommended circuit)				
ESD	IEC/EN61000-4-2 Contact ±4KV (for 18~36 Vdc) ±6KV (for 36~75 Vdc) perf. Criteria B				
radiated immunity	IEC/EN61000-4-3 10V/m perf. Criteria A				
EFT/burst	IEC/EN61000-4-4 100KHz ±2KV (see Fig.2 for recommended circuit) perf. Criteria B				
surge	IEC/EN61000-4-5 line to line ±2KV (see Fig.2 for recommended circuit) perf. Criteria B				
conducted immunity	IEC/EN61000-4-6 10 Vr.m.s perf. Criteria A				
MTBF	as per MIL-HDBK-217F @ 25°C	1,000,000			hours
RoHS	yes				

ENVIRONMENTAL

parameter	conditions/description	min	typ	max	units
operating temperature	see derating curve	-40		105	°C
storage temperature		-55		125	°C
storage humidity	non-condensing	5		95	%
case temperature	at full load, operating temperature curve range			105	°C
vibration	10~55 Hz, 30 min. along x, y, and z			5	G

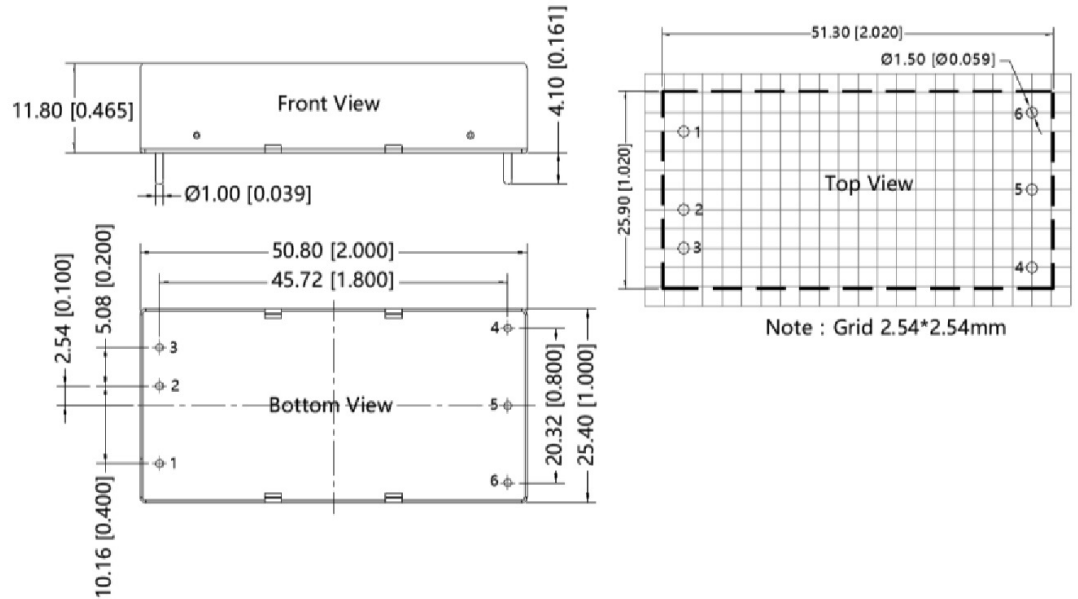
MECHANICAL

parameter	conditions/description	min	typ	max	units
dimensions	without heatsink:				
	horizontal package	50.80 × 25.40 × 11.80			mm
	chassis mount	76.00 × 31.50 × 21.20			mm
	DIN-Rail mounting	76.00 × 31.50 × 25.80			mm
	with heatsink:				
	horizontal package	51.40 × 26.20 × 16.50			mm
chassis mount	76.00 × 31.50 × 25.30			mm	
DIN-Rail mounting	76.00 × 31.50 × 29.90			mm	
case material	aluminum alloy				
weight	without heatsink				
	horizontal package		42		g
	chassis mounting		65		g
	DIN-Rail mounting		85		g
	with heatsink				
	horizontal package		50		g
chassis mounting		73		g	
DIN-Rail mounting		93		g	

MECHANICAL DRAWING

units: mm[inch]
 pin diameter tolerance: $\pm 0.10[\pm 0.004]$
 general tolerance: $\pm 0.50[\pm 0.020]$

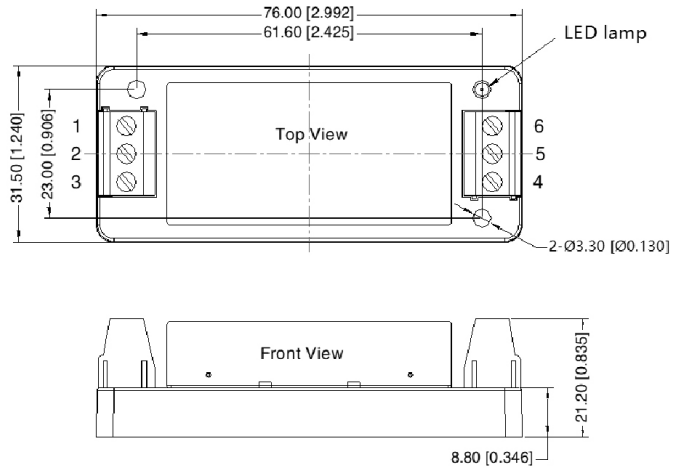
PIN CONNECTIONS	
PIN	Function
1	CTRL
2	GND
3	Vin
4	+Vo
5	0V
6	Trim



CHASSIS MOUNT

units: mm[inch]
 wire range: 24-12 AWG
 tightening torque: Max 0.4 N·m
 general tolerance: $\pm 1.00[\pm 0.039]$

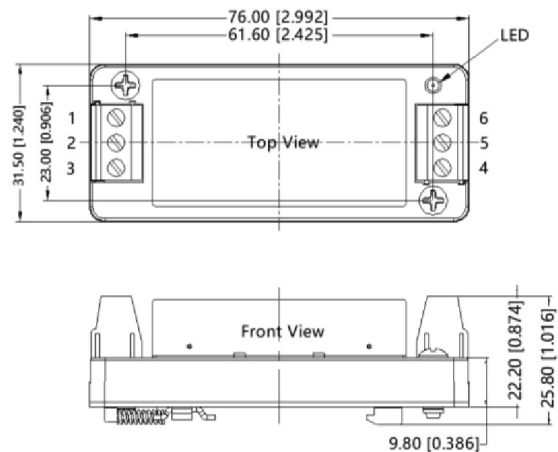
PIN OUT	
PIN	Function
1	CTRL
2	GND
3	Vin
4	+Vo
5	0V
6	Trim



DIN-RAIL MOUNT

units: mm[inch]
 mounting rail: TS35
 wire range: 24-12 AWG
 tightening torque: Max 0.4 N·m
 general tolerance: $\pm 1.00[\pm 0.039]$

PIN OUT	
PIN	Function
1	CTRL
2	GND
3	Vin
4	+Vo
5	0V
6	Trim

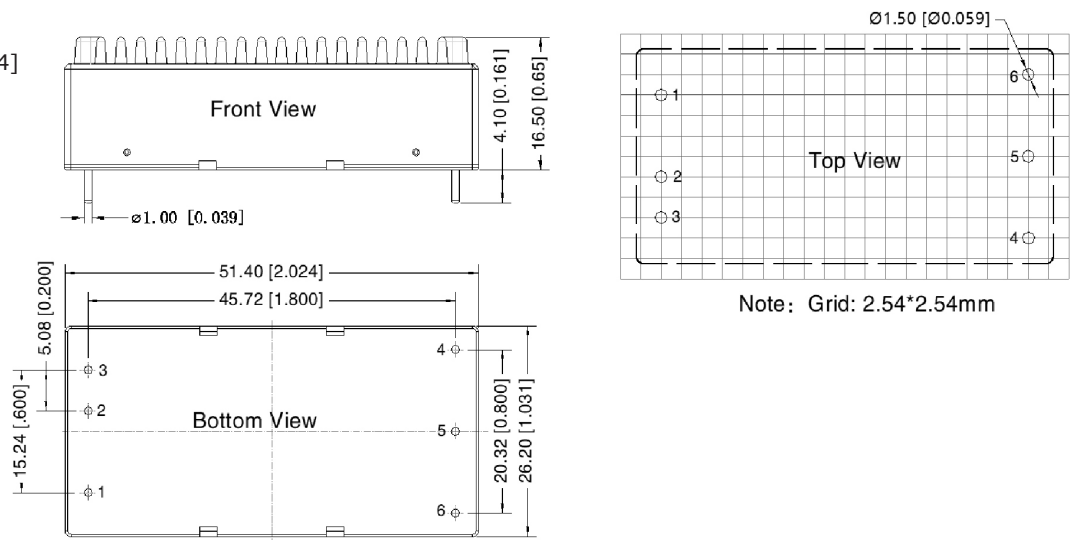


MECHANICAL DRAWING (CONTINUED)

WITH HEATSINK

units: mm[inch]
 pin diameter tolerance: $\pm 0.10[\pm 0.004]$
 general tolerance: $\pm 0.50[\pm 0.020]$

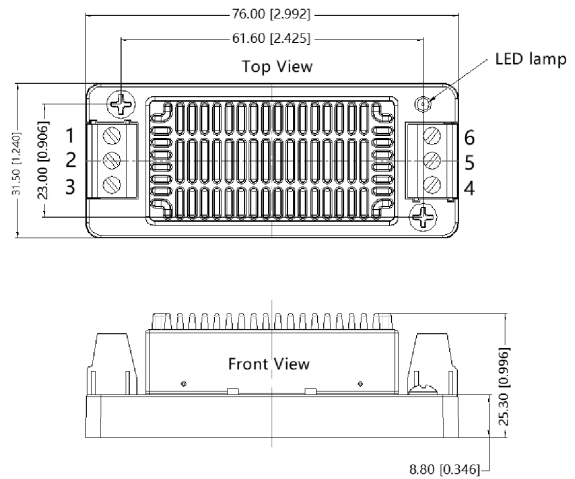
PIN CONNECTIONS	
PIN	Function
1	CTRL
2	GND
3	Vin
4	+Vo
5	0V
6	Trim



CHASSIS MOUNT WITH HEATSINK

units: mm[inch]
 mounting rail: TS35
 wire range: 24-12 AWG
 tightening torque: Max 0.4 N·m
 general tolerance: $\pm 1.00[\pm 0.039]$

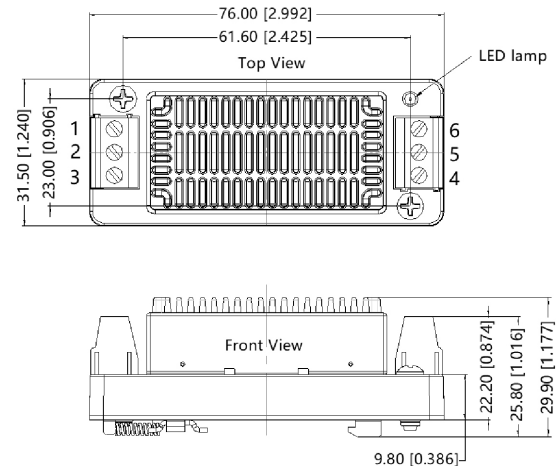
PIN OUT	
PIN	Function
1	CTRL
2	GND
3	Vin
4	+Vo
5	0V
6	Trim



DIN-RAIL MOUNT WITH HEATSINK

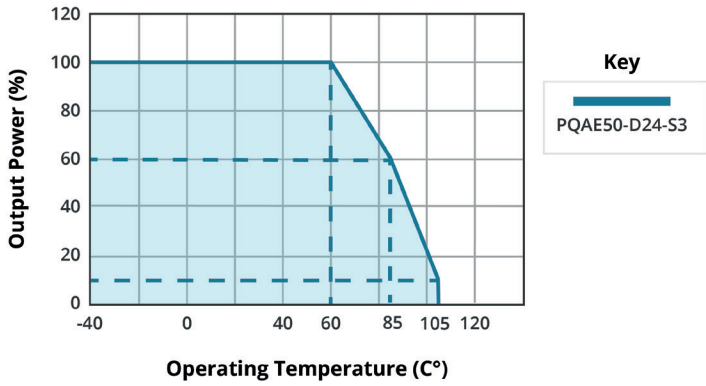
units: mm[inch]
 mounting rail: TS35
 wire range: 24-12 AWG
 tightening torque: Max 0.4 N·m
 general tolerance: $\pm 1.00[\pm 0.039]$

PIN OUT	
PIN	Function
1	CTRL
2	GND
3	Vin
4	+Vo
5	0V
6	Trim

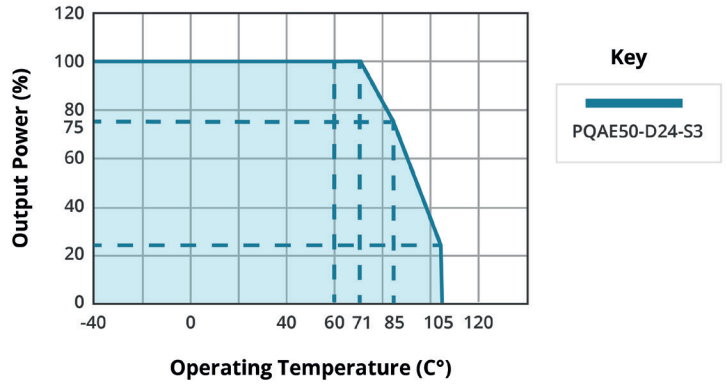


DERATING CURVES

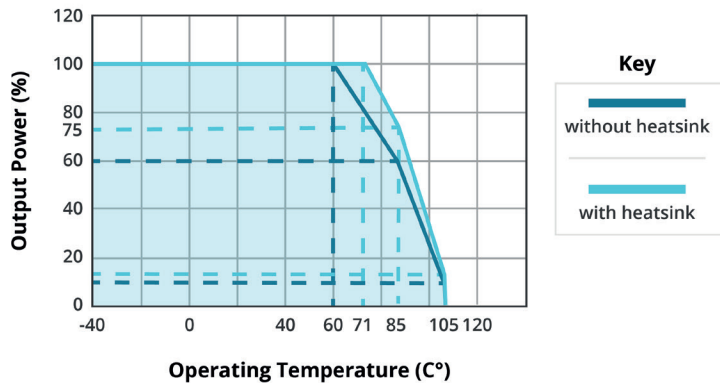
TEMPERATURE DERATING CURVE



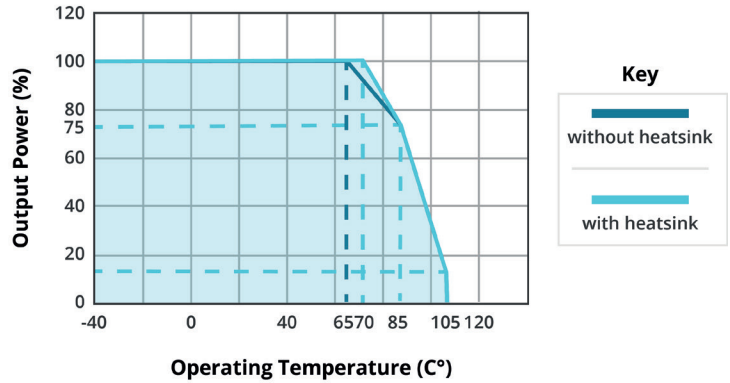
TEMPERATURE DERATING CURVE



TEMPERATURE DERATING CURVE
3.3 Vdc & 5 Vdc output
48 Vdc input



TEMPERATURE DERATING CURVE
12 Vdc, 15 Vdc & 24 Vdc output
48 Vdc input



APPLICATION DESIGN REFERENCE

Figure 1



Table 1

Vout (Vdc)	Cin (μF)	Cout (μF)
3.3	100 μF	470 $\mu\text{F}/10\text{V}$
5		470 $\mu\text{F}/10\text{V}$
12		100 $\mu\text{F}/25\text{V}$
15		100 $\mu\text{F}/25\text{V}$
24		47 $\mu\text{F}/50\text{V}$

Figure 2

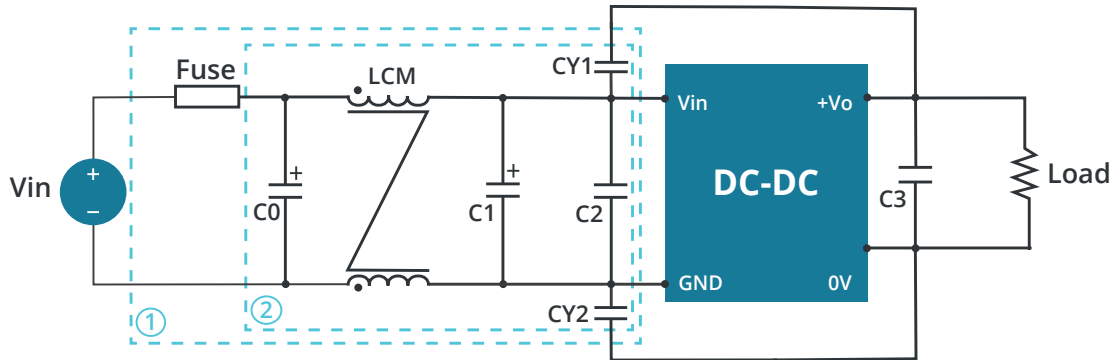
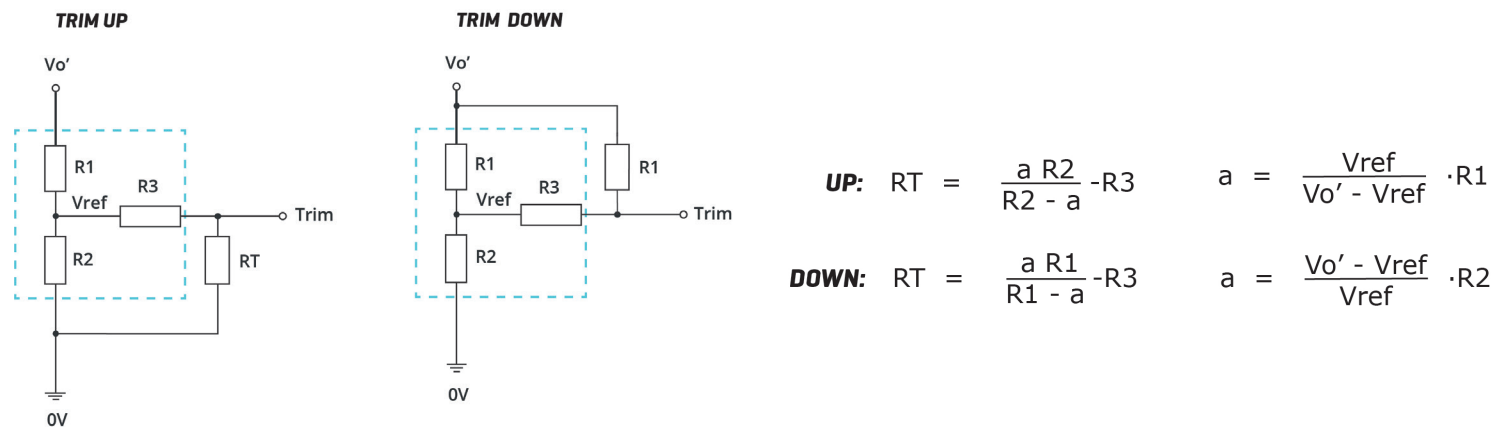


Table 2

MODEL	Vin: 24V	Vin: 48V
FUSE	T/4A/250Vac	T/2A/250Vac
C0	680 $\mu\text{F}/50\text{V}$	330 $\mu\text{F}/100\text{V}$
LCM	2.2mH	2.2mH
C1	330 $\mu\text{F}/50\text{V}$	330 $\mu\text{F}/100\text{V}$
C2	4.7 $\mu\text{F}/50\text{V}$	2.2 $\mu\text{F}/100\text{V}$
CY1, CY2	Y1 Safety capacitor 2.2nF/250Vac	Y1 Safety capacitor 3.3nF/250Vac
C3	refer to Cout in Fig. 1	refer to Cout in Fig. 1

APPLICATION DESIGN REFERENCE (CONTINUED)

TRIM FUNCTION FOR OUTPUT VOLTAGE ADJUSTMENT (OPEN IF UNUSED)



Note: Trim resistor connection (dashed line shows internal resistor network).

Note: RT is Trim resistance a is a self-defined parameter, with no real meaning.

Model number	Vout adjustable value (V)	RT (KΩ)	R1 (KΩ)	R2 (KΩ)	R3 (KΩ)	Vref (V)
PQAE50-D24-S3	Up: 3.63	15.0	4.83	2.87	4.7	1.24
	Down: 2.97	18.7	4.83	2.87	4.7	1.24
PQAE50-D24-S5	Up: 5.5	13.3	2.97	2.87	4.7	2.5
	Down: 4.5	5.4	2.97	2.87	4.7	2.5
PQAE50-D24-S12	Up: 13.2	7.6	10.90	2.87	15	2.5
	Down: 10.8	60.7	10.90	2.87	15	2.5
PQAE50-D24-S15	Up: 16.5	8.9	14.35	2.87	15	2.5
	Down: 13.5	90.2	14.35	2.87	15	2.5
PQAE50-D24-S24	Up: 26.4	21.6	24.77	2.87	5.1	2.5
	Down: 21.6	185.9	24.77	2.87	5.1	2.5
PQAE50-D48-S3	Up: 3.63	10	4.83	2.87	10	1.24
	Down: 2.97	13.5	4.83	2.87	10	1.24
PQAE50-D48-S5	Up: 5.5	4.3	2.87	2.87	10	2.5
	Down: 4.5	1.5	2.87	2.87	10	2.5
PQAE50-D48-S12	Up: 13.2	7.6	10.90	2.87	15	2.5
	Down: 10.8	60.7	10.90	2.87	15	2.5
PQAE50-D48-S15	Up: 16.5	8.9	14.35	2.87	15	2.5
	Down: 13.5	90.2	14.35	2.87	15	2.5
PQAE50-D48-S24	Up: 26.4	21.6	48.77	2.87	5.1	2.5
	Down: 21.6	185.9	48.77	2.87	5.1	2.5

REVISION HISTORY

rev.	description	date
1.0	initial release	11/16/2020

The revision history provided is for informational purposes only and is believed to be accurate.



CUI INC

a bel group

Headquarters
20050 SW 112th Ave.
Tualatin, OR 97062
800.275.4899

Fax 503.612.2383
cui.com
techsupport@cui.com

CUI offers a two (2) year limited warranty. Complete warranty information is listed on our website.

CUI reserves the right to make changes to the product at any time without notice. Information provided by CUI is believed to be accurate and reliable. However, no responsibility is assumed by CUI for its use, nor for any infringements of patents or other rights of third parties which may result from its use.

CUI products are not authorized or warranted for use as critical components in equipment that requires an extremely high level of reliability. A critical component is any component of a life support device or system whose failure to perform can be reasonably expected to cause the failure of the life support device or system, or to affect its safety or effectiveness.