

# RESISTOR/TERMINATION, CHIP CHIP

# DC - 4 GHz HIGH POWER



MODELS: PPC100-200A SERIES

## SPECIFICATIONS:

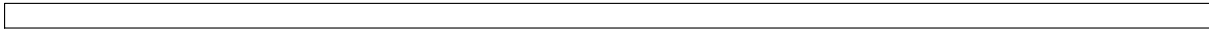
### Electrical:

Frequency Range \_\_\_\_\_ DC - 4 GHz  
 Resistance/Impedance \_\_\_\_\_ 50 ±5% Ohms (Standard)  
 Power Handling\* \_\_\_\_\_ Up to 65 Watts (See Table)  
 VSWR (DC - 2 GHz)\* \_\_\_\_\_ 1.35:1 Max.

### Mechanical:

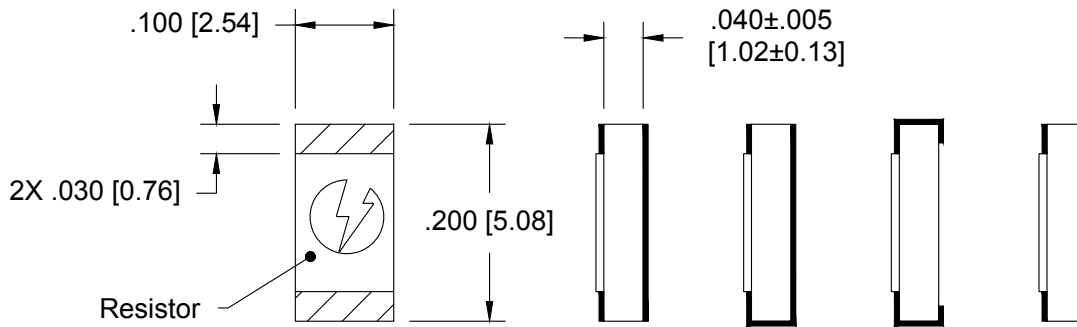
Substrate \_\_\_\_\_ Beryllium Oxide  
 Resistor Material \_\_\_\_\_ Proprietary Thin Film  
 Terminal Finish \_\_\_\_\_ Silver

\*Refer to Table for Mounting Configuration Variations.



Model Number: PPC100-200AX-50R0J Shown

Tolerance: .XXX = ±.010



|                     |                    | TYPE X   | TYPE G   | TYPE W   | TYPE S   |
|---------------------|--------------------|----------|----------|----------|----------|
| VSWR (@ 2 GHz) Max. |                    | 1.35:1   | 1.35:1   | -        | -        |
| Average Power**     | Resistor Side Up   | 65 Watts | 65 Watts | 15 Watts | 25 Watts |
|                     | Resistor Side Down | -        | -        | 10 Watts | 10 Watts |

\*\*Mounting Surface Shall not Exceed 100°C Max.

## HOW TO ORDER:

Model Number: PPCT100-200AZ-XXXXY

Terminal Options  
 = Silver over Nickel  
 T = Tin Lead Solder  
 H = Lead Free Solder

Terminal Type  
 X = No wrap  
 G = One end wrap around  
 W = Both ends wrap around  
 S = Backside blank

Tolerance  
 F = 1%  
 G = 2%  
 J = 5% (Standard)

Ohm Value (Other values available)  
 50R0 = 50 Ohms  
 1000 = 100 Ohms

Dimensions are for substrate only and do not include terminal thickness or optional tinning thickness.

Note: Dimensions in Brackets are Expressed in Millimeters and are for Reference Only.

Design specifications are subject to change without notice.