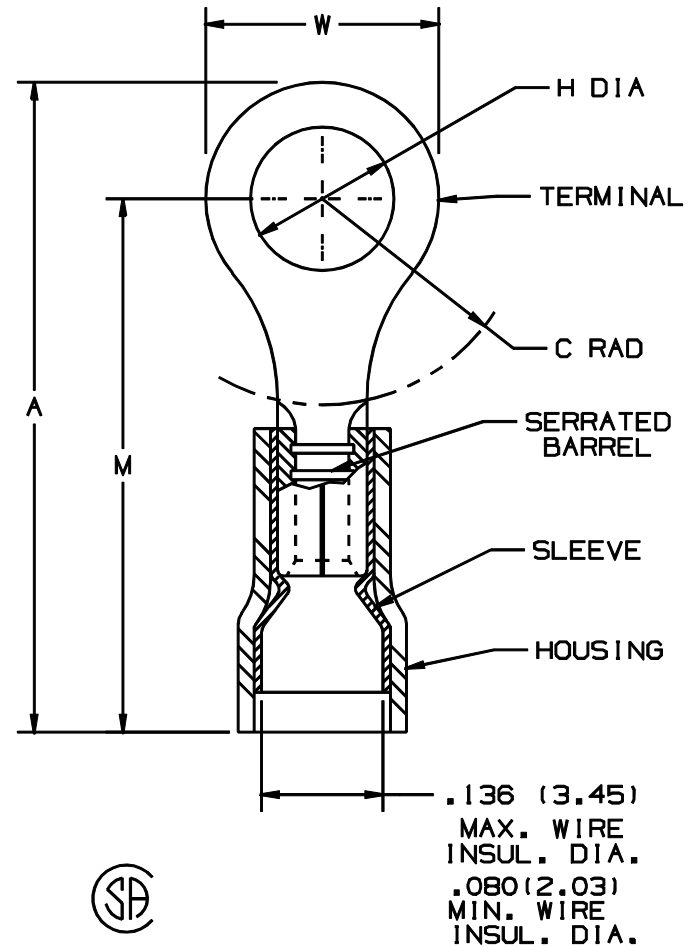


THIS COPY IS PROVIDED ON A RESTRICTED BASIS AND IS NOT TO BE USED IN ANY WAY DETRIMENTAL TO THE INTERESTS OF PANDUIT CORP.

PANDUIT PART NUMBER	STUD SIZE	DIMENSIONS in.				
		A <sup>±.03</sup>	W <sup>±.01</sup>	C <sup>±.02</sup>	M <sup>±.03</sup>	H <sup>±.01</sup>
PNF18-4R	#4	.77 (19.56)	.25 (6.35)	.20 (5.08)	.65 (16.51)	.12 (3.05)
PNF18-6R	#6	.77 (19.56)	.25 (6.35)	.20 (5.08)	.65 (16.51)	.15 (3.81)
PNF18-6RN	#6	.76 (19.30)	.22 (5.59)	.18 (4.57)	.63 (16.00)	.15 (3.81)
PNF18-8R	#8	.87 (22.10)	.31 (7.87)	.24 (6.10)	.72 (18.29)	.17 (4.32)
PNF18-10R	#10	.87 (22.10)	.32 (8.13)	.25 (6.35)	.72 (18.29)	.20 (5.08)
PNF18-14R	1/4"	1.08 (27.43)	.46 (11.68)	.38 (9.65)	.85 (21.59)	.27 (6.86)
PNF18-56R	5/16"	1.08 (27.43)	.46 (11.68)	.39 (9.91)	.85 (21.59)	.34 (8.64)
PNF18-38R	3/8"	1.16 (29.46)	.53 (13.46)	.41 (10.41)	.90 (22.86)	.40 (10.16)

NOTES:

- UL LISTED AND CSA CERTIFIED FOR:
  - 600V. MAX. VOLTAGE RATING (1000V. MAX. IN SIGNS, FIXTURES AND LUMINARIES)
  - #22-16 AWG SOLID OR STRANDED COPPER WIRE
  - 221° F (105° C) MAX. TEMP. RATING
- MATERIAL:
  - STAMPING - .032" (0.81) THK COPPER, TIN PLATED
  - HOUSING - NYLON, RED
  - SLEEVE - BRASS, TIN PLATED
- PACKAGE QTY: STD. PKG. - C=100  
BULK PKG. - M=1000
- DIMENSIONS IN BRACKETS ARE IN MILLIMETERS
- INSTALLATION TOOLS:
  - UL LISTED AND CSA CERTIFIED: CT-100\*, CT-250\*, CT-400 (U.L. ONLY), CT-500, CT-550, CT-1550, CT-1551
  - PANDUIT APPROVED: CT-160\*, CT-260\*
- WIRE STRIP LENGTH: 7/32 <sup>+1/32</sup>/<sub>0</sub> (5.6 <sup>±.0</sup>/<sub>0</sub>) \* FOR USE WITH 22-18 AWG WIRE RANGE



LISTED 587H E52164  
CERTIFIED LR31212

.136 (3.45)  
MAX. WIRE  
INSUL. DIA.  
.080 (2.03)  
MIN. WIRE  
INSUL. DIA.

A41275\_05

05	1/01	RM		FILESPEC WAS N41275AA_PCD_04				
4	12/96	JAME		ADDED DIM. "MIN WIRE INSUL. DIA." UPDATE NOTES	08788			
3	3/95	MS	RLS	UPDATED NOTES AND DIMENSIONS	03079	JB	LA	#22-18 BARREL NYLON INSULATED, FUNNELED WIRE ENTRY RING TONGUE, .136 (3.45) DIA. MAX. WIRE INSULATION DIAMETER
2	12-88	DM	LM	CORRECTED HOUSING MAT'L		JB	LM	
REV	DATE	BY	CHK	DESCRIPTION	ECN	PM	CUST	DRAWN BY DAW CHK'D LM SCALE NONE DRAWING NO A41275

**PANDUIT**

CORP.

TINLEY PARK, ILLINOIS