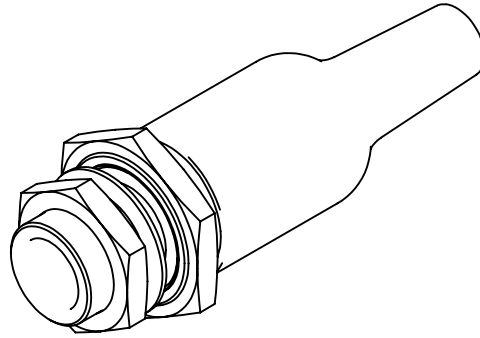


| REVISIONS | | | | |
|-----------|-------------|------------|------|------|
| REV | DESCRIPTION | DATE | DWN | APVD |
| AA | RELEASED | 04/06/2020 | N.H | M.P |
| AD | ECR 8016 | 06/11/2020 | I.D. | M.P. |
| AE | ECR 8088 | 18/01/2021 | N.H | M.P |
| AF | ECR 8240 | 22/06/2021 | N.H | R.S |



HEAT SHRINK BOOT PANEL MOUNT ADAPTOR

PMTAKS-12-1-B-L25-SN-100CH

- SERIES _____
- BOOT LENGTH _____
 - S - STANDARD LENGTH
 - R - REDUCED LENGTH
- FEEDTHROUGH SIZE _____
- MATERIAL / FINISH _____
 - SEE TABLE 2
- THREAD LENGTH _____
 - STANDARD 20mm
 - (INCREMENTS OF 5mm, MIN 15mm - MAX 50mm)
- CONFIGURATION _____
 - SN - STANDARD NUT
 - DN - DOUBLE NUT OPTION
 - LN - LOCK NUT OPTION
- MOULDED PART MATERIAL _____
 - 25 - DIESEL RESISTANT SEMIRIGID ELASTOMER
 - 100 - ZERO HALOGEN
- MOULDED PART TYPE _____
 - A - STRAIGHT UNSCREENED
 - B - 90DEG UNSCREENED
 - C - STRAIGHT SCREENED
 - D - 45DEG SCREENED
 - E - 90DEG SCREENED
 - (45DEG - SIZE 12-36 & 90DEG - SIZE 16-36, ONLY AVAILABLE ON PMTAKS SERIES)
- ADHESIVE SYSTEM _____
 - E - EPOXY (SEE NOTE 4)
 - H - S1030 HOT MELT
 - W - S1048 HOT MELT

NOTES:

1. THIS PRODUCT IS DESIGNED TO TERMINATE A HEAT SHRINKABLE LIPPED BOOT TO A PANEL.
2. ADAPTOR TO BE PERMANENTLY MARKED/BAGGED AND LABELLED WITH CODE IDENTIFICATION NUMBER AND PART NUMBER, e.g (06090-PMTAKS-12-1-B-L25-SN-100CH)
3. ASSEMBLY KIT TO INCLUDE ONE CLEANING TISSUE, ONE 100 GRIT EMERY CLOTH & TWO ATUM HEATSHRINK TUBING PACKING PIECES, BAGGED SEPARATELY.
4. ADHESIVE SYSTEM E (EPOXY) INCLUDES, 1 OFF - CONDUCTIVE TWO-PART EPOXY ADHESIVE & 1 OFF - HIGH PERFORMANCE ADHESIVE IN THE ASSEMBLY KIT FOR CUSTOMER INSTALLATION.
5. PLEASE REFER TO INSTALLATION GUIDE ASQAW0201.

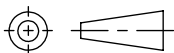
RELEASED FOR PUBLICATION

ALL RIGHTS RESERVED.

THIS DRAWING IS UNPUBLISHED.

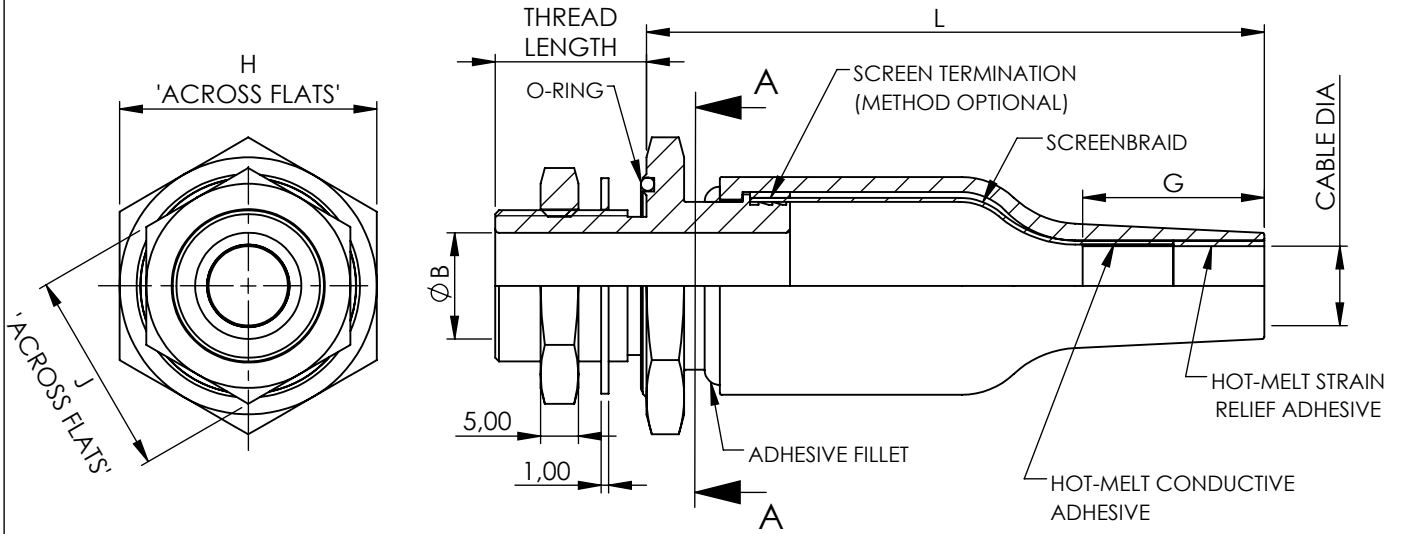
COPYRIGHT 20 BY

| | | | | |
|--|--------------------|------------|---|---------------------------|
| DIMENSIONS: MILLIMETERS | DWN: N.HAWKINS | 11/05/2020 | MATERIAL: SEE P/N BREAKDOWN | FINISH: SEE P/N BREAKDOWN |
| | CHK: R.STYLES | 02/06/2020 | STE TE Connectivity | |
| TOLERANCES UNLESS OTHERWISE SPECIFIED: GENERAL TOL LINEAR ± 0.25 MM ANGULAR $\pm 1^\circ$ | APVD: M.PAUL | 04/06/2020 | PART NUMBER: PMTAK* SERIES | |
| | PRODUCT SPEC: - | | NAME: HEAT SHRINK BOOT PANEL MOUNT ADAPTOR | |
| APPLICATION SPEC: - | WEIGHT: | | SIZE: A4 | CAGE CODE: U5792 |
| | | | DRAWING NO: C=P44696 | RESTRICTED TO |
| CUSTOMER DRAWING | | | SCALE: 1:2 | SHEET 1 OF 3 |
| | | | | REV: AF |

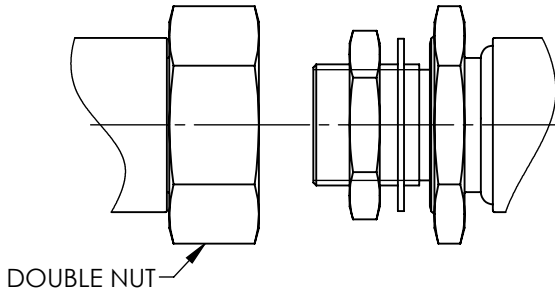


REVISIONS

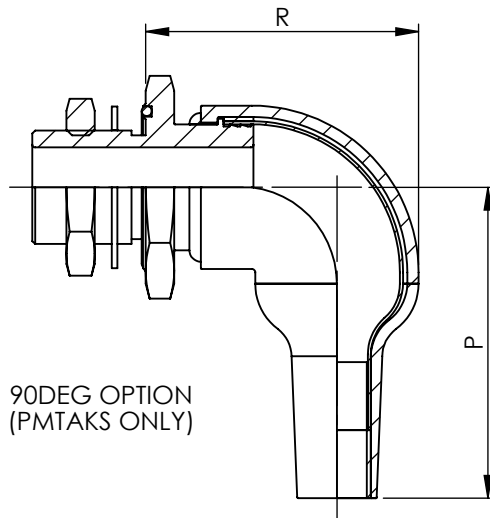
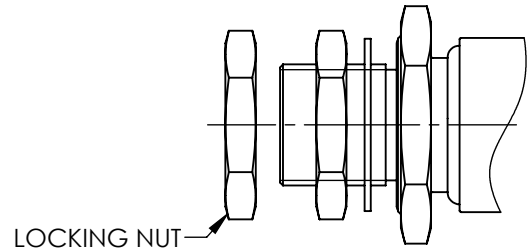
SN OPTION (STANDARD)



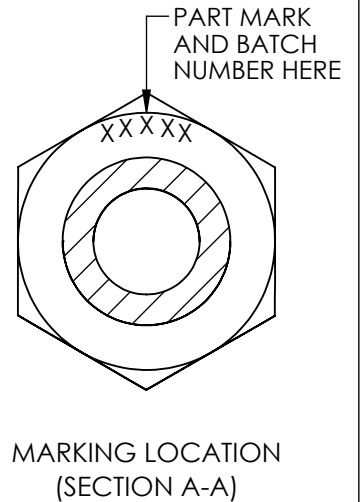
DN OPTION (DOUBLE NUT)



LN OPTION (LOCK NUT)



90DEG OPTION (PMTAKS ONLY)



MARKING LOCATION (SECTION A-A)

THIS DRAWING IS UNPUBLISHED. ALL RIGHTS RESERVED. © COPYRIGHT 20 BY

| | | | |
|--|---------------------------|---|-----------------------------|
| DIMENSIONS: MILLIMETERS | DWN: N.HAWKINS 11/05/2020 | MATERIAL: SEE P/N BREAKDOWN | FINISH: SEE P/N BREAKDOWN |
| | CHK: R.STYLES 02/06/2020 | <div style="text-align: center;"> TE Connectivity </div> | |
| TOLERANCES UNLESS OTHERWISE SPECIFIED: GENERAL TOL LINEAR ±0.25MM ANGULAR ±1° | APVD: M.PAUL 04/06/2020 | | |
| | PRODUCT SPEC: - | NAME: HEAT SHRINK BOOT PANEL MOUNT ADAPTOR | |
| | APPLICATION SPEC: - | SIZE: A4 | CAGE CODE: U5792 |
| | WEIGHT: - | DRAWING NO: ©-P44696 | RESTRICTED TO |
| | CUSTOMER DRAWING | SCALE: 1:1 | SHEET: 2 OF 3 |
| | | | REV: AF |

REVISIONS

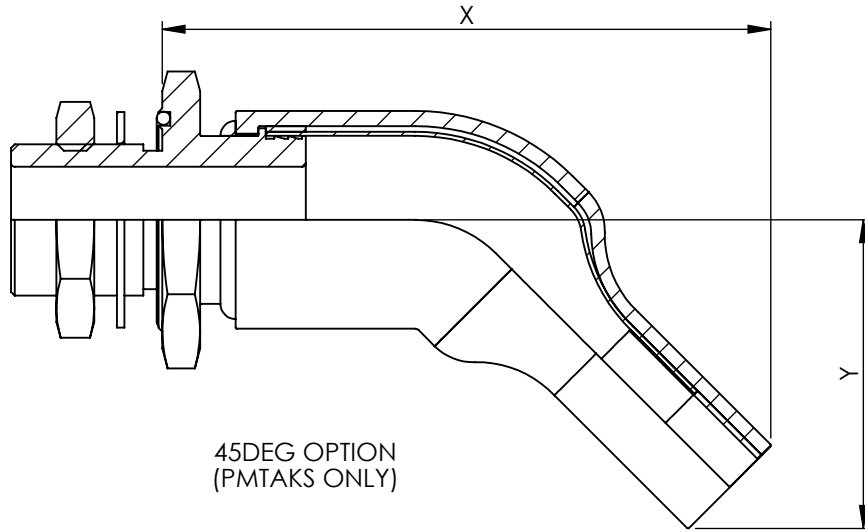


TABLE 1

| SIZE | A THREAD | ØB MIN | G REF | H | J | L MAX | | R MAX | P MAX | X MAX | Y MAX | CABLE DIA RANGE |
|------|-------------|-----------|----------|------|------|--------|--------|-------|-------|-------|-------|--------------------|
| | | | | | | PMTAKR | PMTAKS | | | | | |
| 10 | M10x1,5 | 6,2 | 15,0 | 22,0 | 16,0 | 55,0 | 55,0 | - | - | - | - | 5,0 - 7,0 |
| 12 | M12x1,5 | 7,4 | 15,0 | 24,0 | 17,0 | 55,0 | 55,0 | - | - | 70 | 35 | 5,0 - 7,0 |
| 16 | M16x1,5 | 10,1 | 17,0 | 29,0 | 22,0 | 57,0 | 72,0 | 36,0 | 42,0 | 80 | 40 | 6,0 - 9,0 |
| 20 | M20x1,5 | 14,1 | 20,0 | 34,0 | 27,0 | 66,0 | 85,0 | 40,0 | 46,0 | 90 | 45 | 7,2 - 11,0 |
| 24 | M24x1,5 | 19,1 | 25,0 | 38,0 | 30,0 | 81,0 | 100,0 | 47,0 | 56,0 | 100 | 55 | 8,5 - 17,0 |
| 30 | M30x1,5 | 24,1 | 30,0 | 48,0 | 36,0 | 94,0 | 127,0 | 55,0 | 74,0 | 110 | 65 | 10,0 - 21,0 |
| 36 | M36x1,5 | 30,1 | 30,0 | 52,0 | 41,0 | 105,0 | 154,0 | 65,0 | 88,0 | 120 | 65 | 15,8 - 29,0 |
| 48 | M48x1,5 | 40,1 | 38,0 | 67,0 | 55,0 | 123,0 | - | - | - | - | - | 16,8 - 36,0 |

TABLE 2


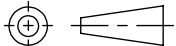
| MATERIAL / FINISH | DESCRIPTION |
|-------------------|--|
| 1-B | ALUMINIUM ALLOY - CADMIUM OLIVE DRAB OVER ELECTROLESS NICKEL |
| 1-C | ALUMINIUM ALLOY - ELECTROLESS NICKEL |
| 2-Z | NICKEL ALUMINIUM BRONZE - SHOTBLAST |
| 4-C | STAINLESS STEEL - ELECTROLESS NICKEL |

RELEASED FOR PUBLICATION

ALL RIGHTS RESERVED.

THIS DRAWING IS UNPUBLISHED.

© COPYRIGHT 20 BY

| | | | | | | | | |
|---|-------------------|------------|--|---------------------------|--------------|---------------|-----|----|
| DIMENSIONS: MILLIMETERS | DWN: N.HAWKINS | 11/05/2020 | MATERIAL: SEE P/N BREAKDOWN | FINISH: SEE P/N BREAKDOWN | | | | |
| | CHK: R.STYLES | 02/06/2020 |  TE Connectivity | | | | | |
| TOLERANCES UNLESS OTHERWISE SPECIFIED: | APVD: M.PAUL | 04/06/2020 | | | PART NUMBER: | PMTAK* SERIES | | |
| GENERAL TOL LINEAR ±0,25MM ANGULAR ±1° | PRODUCT SPEC: | - | NAME: | | | | | |
| | APPLICATION SPEC: | - | HEAT SHRINK BOOT PANEL MOUNT ADAPTOR | | | | | |
|  | WEIGHT: | - | SIZE | CAGE CODE | DRAWING NO | RESTRICTED TO | | |
| | CUSTOMER DRAWING | - | A4 | U5792 | ©-P44696 | - | | |
| | | | SCALE | 1:1 | SHEET | 3 OF 3 | REV | AF |