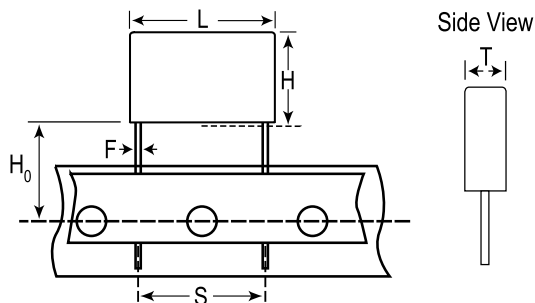


KEMET Part Number: PME271YA4220MR19T0
(P272HE222M300L)

PME271Y/P272, Film, Metallized Paper, Safety, 2200 pF, 20%, 300 VAC (Y2), 1000 VDC, 115°C, Lead Spacing = 10.2mm



| General Information | |
|---------------------|--------------------|
| Series: | PME271Y/P272 |
| Dielectric: | Metallized Paper |
| Style: | Radial |
| Features: | EMI Safety |
| RoHS: | Yes |
| Lead: | Wire Leads |
| Qualifications: | ENEC, UL, cUL, CQC |
| Construction: | Molded |
| Miscellaneous: | SRF= 37 MHz |

| Dimensions | |
|------------|-----------------|
| L | 13.5mm MAX |
| H | 7.5mm MAX |
| T | 3.9mm MAX |
| S | 10.2mm +/-0.4mm |
| H0 | 18.5mm +/-0.5mm |
| F | 0.6mm +/-0.05mm |

| Specifications | |
|------------------------|--------------|
| Capacitance: | 2200 pF |
| Capacitance Tolerance: | 20% |
| Voltage AC: | 300 VAC (Y2) |
| Voltage DC: | 1000 VDC |
| Temperature Range: | -40/+115°C |
| Rated Temperature: | 115°C |
| Dissipation Factor: | 1.30% 1kHz |
| Insulation Resistance: | 12 GOhms |
| Max dV/dt: | 2000 V/us |
| Safety Class: | Y2 |

| Packaging Specifications | |
|--------------------------|-----|
| Packaging: | T&R |
| Packaging Quantity: | 700 |