

# MIL-STD-1553

## DATABUS INTERFACE TRANSFORMERS

### LOW PROFILE SINGLE & DUAL RATIO

(Add “+” to end of P/N for RoHS Compliance)

- |   |  |
|---|--|
| <ul style="list-style-type: none"> <li>① Designed to Meet MIL-STD-1553 A/B &amp; MIL-PRF-21038</li> <li>② Common Mode Rejection (CMR) greater than 45dB</li> <li>③ Impedance Test Frequency from 75KHz to 1MHz</li> </ul> | <ul style="list-style-type: none"> <li>④ Droop less than 20%</li> <li>⑤ Overshoot &amp; Ringing ±1V Max</li> <li>⑥ Pulse Width 2 μs</li> </ul> |
|---|--|

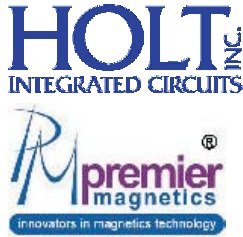
**ELECTRICAL SPECIFICATIONS AT 25°C - OPERATING TEMPERATURE RANGE -55°C TO +125°C**

PART NUMBER	TERMINALS / RATIO		TERMINALS / RATIO		DCR (Ohms Max.)	IMPEDANCE (Ohms MIN.)	SCHEMATICS / PACKAGE
PM-DB2701	1-3:4-8	1:1	1-3:5-7	1:.707	1-3=3.0, 4-8=3.0	4000	1/A
PM-DB2701EX	1-3:4-8	1:1	1-3:5-7	1:.707	1-3=3.0, 4-8=3.0	4000	1/G
PM-DB2702	1-3:4-8	1.4:1	1-3:5-7	2:1	1-3=3.5, 4-8=3.0	7200	1/A
PM-DB2703	1-3:4-8	1.25 : 1	1-3:5-7	1.66:1	1-3=3.2, 4-8=3.0	4000	1/A
PM-DB2704	4-8:1-3	2.3:1	5-7:1-3	3.2:1	1-3=1.2, 4-8=3.0	3000	4/A
PM-DB2705	1-2:4-3	1:1.41	---	---	1-2=2.2, 3-4=2.7	3000	3/C
PM-DB2705EX	1-2:3-4	1:1.41	---	---	1-2=2.2, 3-4=2.7	3000	5/C
PM-DB2706	1-5:6-2	1:1	---	---	1-5=2.5, 6-2=2.8	3000	2/B
PM-DB2707	1-5:6-2	1:1.41	---	---	1-5=2.2, 6-2=2.7	3000	2/B
PM-DB2708	1-5:6-2	1:1.66	---	---	1-5=1.5, 6-2=2.4	3000	2/B
PM-DB2709	1-5:6-2	1:2	---	---	1-5=1.3, 6-2=2.6	3000	2/B
PM-DB2710	1-3:4-8	1:2.12	1-3:5-7	1:1.5	1-3=1.0, 4-8=3.5	4000	1/A
PM-DB2711	1-3:4-8	1:1	1-3:5-7	1:.707	1-3=3.0, 4-8=3.0	4000	1/D
PM-DB2712	1-3:4-8	1.4:1	1-3:5-7	2.1:1	1-3=3.5, 4-8=3.0	7200	1/D
PM-DB2713	1-3:4-8	1.25:1	1-3:5-7	1.66:1	1-3=3.2, 4-8=3.0	4000	1/D
PM-DB2714	4-8:1-3	2.3:1	5-7:1-3	3.2:1	1-3=1.2, 4-8=3.0	3000	4/D
PM-DB2715	1-3:4-8	1:2.12	1-3:5-7	1:1.5	1-3=1.0, 4-8=3.5	4000	1/D
PM-DB2716	1-3:4-8	1:1	1-3:5-7	1:.707	1-3=3.0, 4-8=3.0	4000	1/E
PM-DB2717	1-3:4-8	1.41:1	1-3:5-7	2:1	1-3=3.5, 4-8=3.0	7200	1/E
PM-DB2718	1-3:4-8	1.25:1	1-3:5-7	1.66:1	1-3=3.2, 4-8=3.0	4000	1/E
PM-DB2719	4-8:1-3	2.3:1	5-7:1-3	3.26:1	1-3=1.2, 4-8=3.0	3000	1/E
PM-DB2720	1-3:4-8	1:2.12	1-3:5-7	1:1.5	1-3=1.0, 4-8=3.5	3000	1/E
PM-DB2721	Same as PM-DB2701						
PM-DB2722	Same as PM-DB2702						
PM-DB2723	Same as PM-DB2703						
PM-DB2724	Same as PM-DB2710						
PM-DB2725	1-3:4-8	1:2.5	1-3:5-7	1:1.79	1-3=1.0, 4-8=3.5	4000	1/A
PM-DB2725EX	1-3:4-8	1:2.5	1-3:5-7	1:1.79	1-3=1.0, 4-8=3.5	4000	1/G
PM-DB2726	Same as PM-DB2725						
PM-DB2727	1-3:4-8	1:2.5	1-3:5-7	1:1.79	1-3=1.0, 4-8=3.5	4000	1/D
PM-DB2728	1-5:6-2	1:1.5	---	---	1-5=0.9, 6-2=2.5	3000	2/B
PM-DB2729	1-5:6-2	1:1.79	---	---	1-5=0.9, 6-2=2.5	3000	2/B
PM-DB2730	1-5:6-2	1:2.5	---	---	1-5=1.0, 6-2=2.8	3000	2/B
PM-DB2731	1-3:4-8	1:2.5	1-3:5-7	1:1.79	1-3=1.0, 4-8=3.5	4000	1/E
PM-DB2755	1-3:4-8	1:3.75	1-3:5-7	1:2.70	1-3=1.0, 4-8=4.0	4000	1/G
PM-DB2759 (1)	1-5:6-2	1:1.79	---	---	1-5=0.9, 6-2=2.5	3000	2/U
PM-DB2760 (1)	1-5:6-2	1:2.5	---	---	1-5=1.0, 6-2=2.8	3000	2/U

(1) Operating Temperature Range from -40°C to +130°C

**NOTE: Premier Magnetics 1553 Transformers are offered exclusively by Holt Integrated Circuits.**

Specifications subject to change without notice.



**MIL-STD-1553**  
**DATABUS INTERFACE TRANSFORMERS**  
**LOW PROFILE SINGLE CORE, DUAL RATIO**  
 (Add “+” to end of P/N for RoHS Compliance)

**LOW PROFILE SINGLE CORE, DUAL RATIO HT = 0.155"**

PART NUMBER	TERMINALS / RATIO		TERMINALS / RATIO		DCR (Ohms Max.)	IMPEDANCE (Ohms MIN.)	SCHEMATICS / PACKAGE
PM-DB2741	1-3:4-8	1:1	1-3:5-7	1:1.707	1-3=3.0, 4-8=3.0	4000	1/K
PM-DB2742	1-3:4-8	1.4:1	1-3:5-7	2:1	1-3=3.5, 4-8=3.0	7200	1/K
PM-DB2743	1-3:4-8	1.25:1	1-3:5-7	1.66:1	1-3=3.2, 4-8=3.0	4000	1/K
PM-DB2744	1-3:4-8	1:2.12	1-3:5-7	1:1.5	1-3=1.0, 4-8=3.5	4000	1/K
PM-DB2745	1-3:4-8	1:2.5	1-3:5-7	1:1.79	1-3=1.0, 4-8=3.5	4000	1/K

PART NUMBER	TERMINALS / RATIO		TERMINALS / RATIO		DCR (Ohms Max.)	IMPEDANCE (Ohms MIN.)	SCHEMATICS / PACKAGE
PM-DB2741L	1-3:4-8	1:1	1-3:5-7	1:1.707	1-3=3.0, 4-8=3.0	4000	1/L
PM-DB2742L	1-3:4-8	1.4:1	1-3:5-7	2:1	1-3=3.5, 4-8=3.0	7200	1/L
PM-DB2743L	1-3:4-8	1.25:1	1-3:5-7	1.66:1	1-3=3.2, 4-8=3.0	4000	1/L
PM-DB2744L	1-3:4-8	1:2.12	1-3:5-7	1:1.5	1-3=1.0, 4-8=3.5	4000	1/L
PM-DB2745L	1-3:4-8	1:2.5	1-3:5-7	1:1.79	1-3=1.0, 4-8=3.5	4000	1/L

PART NUMBER	TERMINALS / RATIO		TERMINALS / RATIO		DCR (Ohms Max.)	IMPEDANCE (Ohms MIN.)	SCHEMATICS / PACKAGE
PM-DB2741M	1-3:4-8	1:1	1-3:5-7	1:1.707	1-3=3.0, 4-8=3.0	4000	1/M
PM-DB2742M	1-3:4-8	1.4:1	1-3:5-7	2:1	1-3=3.5, 4-8=3.0	7200	1/M
PM-DB2743M	1-3:4-8	1.25:1	1-3:5-7	1.66:1	1-3=3.2, 4-8=3.0	4000	1/M
PM-DB2744M	1-3:4-8	1:2.12	1-3:5-7	1:1.5	1-3=1.0, 4-8=3.5	4000	1/M
PM-DB2745M	1-3:4-8	1:2.5	1-3:5-7	1:1.79	1-3=1.0, 4-8=3.5	4000	1/M

PART NUMBER	TERMINALS / RATIO		TERMINALS / RATIO		DCR (Ohms Max.)	IMPEDANCE (Ohms MIN.)	SCHEMATICS / PACKAGE
PM-DB2741N	1-3:4-8	1:1	1-3:5-7	1:1.707	1-3=3.0, 4-8=3.0	4000	1/N
PM-DB2742N	1-3:4-8	1.4:1	1-3:5-7	2:1	1-3=3.5, 4-8=3.0	7200	1/N
PM-DB2743N	1-3:4-8	1.25:1	1-3:5-7	1.66:1	1-3=3.2, 4-8=3.0	4000	1/N
PM-DB2744N	1-3:4-8	1:2.12	1-3:5-7	1:1.5	1-3=1.0, 4-8=3.5	4000	1/N
PM-DB2745N	1-3:4-8	1:2.5	1-3:5-7	1:1.79	1-3=1.0, 4-8=3.5	4000	1/N

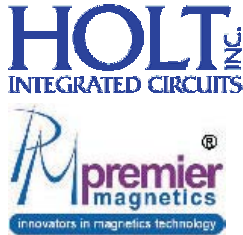
PART NUMBER	TERMINALS / RATIO		TERMINALS / RATIO		DCR (Ohms Max.)	IMPEDANCE (Ohms MIN.)	SCHEMATICS / PACKAGE
PM-DB27100	Same as PM-DB2745M						
PM-DB27101	1-3:4-8	1:2.5	1-3:5-7	1:1.79	1-3=1.0, 4-8=3.5	4000	1/W

**NOTE: Premier Magnetics 1553 Transformers are offered exclusively by Holt Integrated Circuits.**

Specifications subject to change without notice.

23351 Madero, Mission Viejo, CA 92691-2730 • TEL: (949) 859-8800 • FAX: (949) 859-9643 • E-MAIL: info@holtic.com

[www.holtic.com](http://www.holtic.com)



**MIL-STD-1553**  
**DATABUS INTERFACE TRANSFORMERS**  
**LOW PROFILE DUAL CORE, DUAL RATIO**  
 (Add “+” to end of P/N for RoHS Compliance)

**LOW PROFILE DUAL CORE, DUAL RATIO HT= 0.155”**

PART NUMBER	TERMINALS / RATIO		TERMINALS / RATIO		DCR (Ohms Max.)	IMPEDANCE (Ohms MIN.)	SCHEMATICS / PACKAGE
	1-3:16-13	1:1	1-3:15-14	1:1.707			
PM-DB2741D	1-3:16-13	1:1	1-3:15-14	1:1.707	1-3=3.0, 16-13=3.0	4000	6/R
	5-7:12-9	1:1	5-7:11-10	1:1.707	5-7=3.0, 12-9=3.0	4000	
PM-DB2742D	1-3:16-13	1.4:1	1-3:15-14	2:1	1-3=3.5, 16-13=3.0	7200	6/R
	5-7:12-9	1.4:1	5-7:11-10	2:1	5-7=3.5, 12-9=3.0	7200	
PM-DB2743D	1-3:16-13	1.25:1	1-3:15-14	1.66:1	1-3=3.2, 16-13=3.0	4000	6/R
	5-7:12-9	1.25:1	5-7:11-10	1.66:1	5-7=3.2, 12-9=3.0	4000	
PM-DB2744D	1-3:16-13	1:2.12	1-3:15-14	1:1.5	1-3=1.0, 16-13=3.1	4000	6/R
	5-7:12-9	1:2.12	5-7:11-10	1:1.5	5-7=1.0, 12-9=3.1	4000	
PM-DB2745D	1-3:16-13	1:2.5	1-3:15-14	1:1.79	1-3=1.0, 16-13=3.5	4000	6/R
	5-7:12-9	1:2.5	5-7:11-10	1:1.79	5-7=1.0, 12-9=3.5	4000	

PART NUMBER	TERMINALS / RATIO		TERMINALS / RATIO		DCR (Ohms Max.)	IMPEDANCE (Ohms MIN.)	SCHEMATICS / PACKAGE
	1-3:16-13	1:1	1-3:15-14	1:1.707			
PM-DB2741S	1-3:16-13	1:1	1-3:15-14	1:1.707	1-3=3.0, 16-13=3.0	4000	6/S
	5-7:12-9	1:1	5-7:11-10	1:1.707	5-7=3.0, 12-9=3.0	4000	
PM-DB2742S	1-3:16-13	1.4:1	1-3:15-14	2:1	1-3=3.5, 16-13=3.0	7200	6/S
	5-7:12-9	1.4:1	5-7:11-10	2:1	5-7=3.5, 12-9=3.0	7200	
PM-DB2743S	1-3:16-13	1.25:1	1-3:15-14	1.66:1	1-3=3.2, 16-13=3.0	4000	6/S
	5-7:12-9	1.25:1	5-7:11-10	1.66:1	5-7=3.2, 12-9=3.0	4000	
PM-DB2744S	1-3:16-13	1:2.12	1-3:15-14	1:1.5	1-3=1.0, 16-13=3.1	4000	6/S
	5-7:12-9	1:2.12	5-7:11-10	1:1.5	5-7=1.0, 12-9=3.1	4000	
PM-DB2745S	1-3:16-13	1:2.5	1-3:15-14	1:1.79	1-3=1.0, 16-13=3.5	4000	6/S
	5-7:12-9	1:2.5	5-7:11-10	1:1.79	5-7=1.0, 12-9=3.5	4000	
PM-DB2785S (1)	1-3:16-13	1:2.5	1-3:15-14	1:1.79	1-3=1.0, 16-13=3.5	4000	6/S
	5-7:12-9	1:2.5	5-7:11-10	1:1.79	5-7=1.0, 12-9=3.5	4000	

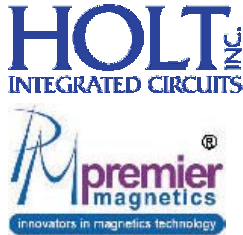
(1) Same as PM-DB-2745S except meets 1500KV Hi-Pot requirements

**NOTE: Premier Magnetics 1553 Transformers are offered exclusively by Holt Integrated Circuits.**

Specifications subject to change without notice.

23351 Madero, Mission Viejo, CA 92691-2730 • TEL: (949) 859-8800 • FAX: (949) 859-9643 • E-MAIL: info@holtic.com

[www.holtic.com](http://www.holtic.com)



**MIL-STD-1553**  
**DATABUS INTERFACE TRANSFORMERS**  
**LOW PROFILE SINGLE & DUAL RATIO**  
 (Add “+” to end of P/N for RoHS Compliance)

**LOW PROFILE SINGLE CORE, SINGLE & DUAL RATIO HT = 0.185"**

PART NUMBER	TERMINALS / RATIO		TERMINALS / RATIO		DCR (Ohms Max.)	IMPEDANCE (Ohms MIN.)	SCHEMATICS / PACKAGE
PM-DB2790S	1-3:4-8	1:3.75	---	---	1-3=.25, 4-8=3.0	4000	9/V
PM-DB2791S	1-3:4-8	1:2.5	---	---	1-3=1.5, 4-8=3.0	3000 (1) 4000 (2)	9/V
PM-DB2795S	1-3:5-7	1:1.79	---	---	1-3=1.5, 5-7=2.5	2000 (1) 4000 (2)	10/V
PM-DB2798S	1-3:4-8	1:2.5	1-3:5-7	1:1.79	1-3=2.0, 4-8=3.5	2000 (1) 4000 (2)	11/V

(1) Impedance at 75K Hz to 249 KHz  
 (2) Impedance at 250 KHz to 1MHz

**LOW PROFILE DUAL CORE, DUAL RATIO HT= 0.155"**

PART NUMBER	TERMINALS / RATIO		TERMINALS / RATIO		DCR (Ohms Max.)	IMPEDANCE (Ohms MIN.)	SCHEMATICS / PACKAGE
PM-DB2741T	1-3:16-13	1:1	1-3:15-14	1:.707	1-3=3.0, 16-13=3.0	4000	6/T
	5-7:12-9	1:1	5-7:11-10	1:.707	5-7=3.0, 12-9=3.0	4000	
PM-DB2742T	1-3:16-13	1.4:1	1-3:15-14	2:1	1-3=3.5, 16-13=3.0	7200	6/T
	5-7:12-9	1.4:1	5-7:11-10	2:1	5-7=3.5, 12-9=3.0	7200	
PM-DB2743T	1-3:16-13	1.25:1	1-3:15-14	1.66:1	1-3=3.2, 16-13=3.0	4000	6/T
	5-7:12-9	1.25:1	5-7:11-10	1.66:1	5-7=3.2, 12-9=3.0	4000	
PM-DB2744T	1-3:16-13	1:2.12	1-3:15-14	1:1.5	1-3=1.0, 16-13=3.1	4000	6/T
	5-7:12-9	1:2.12	5-7:11-10	1:1.5	5-7=1.0, 12-9=3.1	4000	
PM-DB2745T	1-3:16-13	1:2.5	1-3:15-14	1:1.79	1-3=1.0, 16-13=3.5	4000	6/T
	5-7:12-9	1:2.5	5-7:11-10	1:1.79	5-7=1.0, 12-9=3.5	4000	
PM-DB27200	Same as PM-DB2745T						
PM-DB27255	1-3:16-13	1:2.5	1-3:15-14	1:1.79	1-3=1.0, 16-13=3.5	4000	6X
	5-7:12-9	1:2.5	5-7:11-10	1:1.79	5-7=1.0, 12-9=3.5	4000	

**NOTE: Premier Magnetics 1553 Transformers are offered exclusively by Holt Integrated Circuits.**

Specifications subject to change without notice.

# MIL-STD-1553 DATABUS INTERFACE TRANSFORMERS STACKED DUAL

(Add “+” to end of P/N for RoHS Compliance)

## STACKED DUAL RATIO HT= 0.250”

PART NUMBER	TERMINALS / RATIO		TERMINALS / RATIO		DCR (Ohms Max.)	IMPEDANCE (Ohms MIN.)	SCHEMATICS / PACKAGE
PM-DB27401	1-3:4-8	2:5	1-3:5-7	4:7	1-3=3.5, 4-8=3.0	3000	7/H
	11-13:14-18	2:5	11-13:15-17	4:7	11-13=3.5, 14-18=3.0	3000	(.250)
PM-DB27402	1-3:4-8	1:0.083	1-3:5-7	1:0.60	1-3=3.0, 4-8=3.0	3000	7/H
	11-13:14-18	1:0.083	11-13:15-17	1:0.60	11-13=3.0, 14-18=3.0	3000	(.250)
PM-DB27403	1-3:4-8	1.4:1	1-3:5-7	2:1	1-3=3.5, 4-8=3.0	7200	7/H
	11-13:14-18	1.4:1	11-13:15-17	2:1	11-13=3.5, 14-18=3.0	7200	(.250)
PM-DB27404	1-3:4-8	1:1	1-3:5-7	1:0.707	1-3=3.0, 4-8=3.0	4000	7/H
	11-13:14-18	1:1	11-13:15-17	1:0.707	11-13=3.0, 14-18=3.0	4000	(.250)
PM-DB27405	1-3:4-8	1.25:1	1-3:5-7	1.66:1	1-3=3.2, 4-8=3.0	4000	7/H
	11-13:14-18	1.25:1	11-13:15-17	1.66:1	11-13=3.2, 14-18=3.0	4000	(.250)
PM-DB27406	4-8:1-3	2.3:1	5-7:1-3	3.2:1	1-3=1.2, 5-7=3.0	3000	8/H
	14-18:11-13	2.3:1	15-17:11-13	3.2:1	11-13=1.2, 15-17=3.0	3000	(.250)
PM-DB27407	4-8:1-3	2.12:1	5-7:1-3	1.5:1	1-3=1.1, 4-8=3.0	4000	7/H
	14-18:11-13	2.12:1	15-17:11-13	1.5:1	11-13=1.1, 14-18=3.0	4000	(.250)
PM-DB27408	1-3:4-8	1:2.5	1-3:5-7	1:1.79	1-3=1.0, 4-8=3.5	4000	7/H
	11-13:14-18	1:2.5	11-13:15-17	1:1.79	11-13=1.0, 14-18=3.5	4000	(.250)

## STACKED DUAL RATIO HT= 0.320”

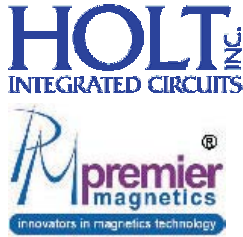
PART NUMBER	TERMINALS / RATIO		TERMINALS / RATIO		DCR (Ohms Max.)	IMPEDANCE (Ohms MIN.)	SCHEMATICS / PACKAGE
PM-DB27411	1-3:4-8	2:5	1-3:5-7	4:7	1-3=3.5, 4-8=3.0	3000	7/H
	11-13:14-18	2:5	11-13:15-17	4:7	11-13=3.5, 14-18=3.0	3000	(.320)
PM-DB27412	1-3:4-8	1:0.083	1-3:5-7	1:0.60	1-3=3.0, 4-8=3.0	3000	7/H
	11-13:14-18	1:0.083	11-13:15-17	1:0.60	11-13=3.0, 14-18=3.0	3000	(.320)
PM-DB27413	1-3:4-8	1.4:1	1-3:5-7	2:1	1-3=3.5, 4-8=3.0	7200	7/H
	11-13:14-18	1.4:1	11-13:15-17	2:1	11-13=3.5, 14-18=3.0	7200	(.320)
PM-DB27414	1-3:4-8	1:1	1-3:5-7	1:0.707	1-3=3.0, 4-8=3.0	4000	7/H
	11-13:14-18	1:1	11-13:15-17	1:0.707	11-13=3.0, 14-18=3.0	4000	(.320)
PM-DB27415	1-3:4-8	1.25:1	1-3:5-7	1.66:1	1-3=3.2, 4-8=3.0	4000	7/H
	11-13:14-18	1.25:1	11-13:15-17	1.66:1	11-13=3.2, 14-18=3.0	4000	(.320)
PM-DB27416	4-8:1-3	2.3:1	5-7:1-3	3.2:1	1-3=1.2, 5-7=3.0	3000	8/H
	14-18:11-13	2.3:1	15-17:11-13	3.2:1	11-13=1.2, 15-17=3.0	3000	(.320)
PM-DB27417	4-8:1-3	2.12:1	5-7:1-3	1.5:1	1-3=1.1, 4-8=3.0	4000	7/H
	14-18:11-13	2.12:1	15-17:11-13	1.5:1	11-13=1.1, 14-18=3.0	4000	(.320)
PM-DB27418	1-3:4-8	1:2.5	1-3:5-7	1:1.79	1-3=1.0, 4-8=3.5	4000	7/H
	11-13:14-18	1:2.5	11-13:15-17	1:1.79	11-13=1.0, 14-18=3.5	4000	(.320)

**NOTE: Premier Magnetics 1553 Transformers are offered exclusively by Holt Integrated Circuits.**

Specifications subject to change without notice.

23351 Madero, Mission Viejo, CA 92691-2730 • TEL: (949) 859-8800 • FAX: (949) 859-9643 • E-MAIL: info@holtic.com

[www.holtic.com](http://www.holtic.com)



**MIL-STD-1553**  
**DATABUS INTERFACE TRANSFORMERS**  
**STACKED DUAL CORE, SINGLE RATIO**  
 (Add “+” to end of P/N for RoHS Compliance)

**STACKED DUAL CORE, SINGLE RATIO HT = 0.32" MAX**

PART NUMBER	TERMINALS / RATIO		TERMINALS / RATIO		DCR (Ohms Max.)		IMPEDANCE (Ohms MIN.)	SCHEMATICS / PACKAGE
					1-2=	10-9=		
PM-DB2761	1-2:10-9	1:3.75	4-5:7-6	1:3.75	1-2=0.3, 10-9=3.0	4000	12/Y	
					4-5=0.3, 7-6=3.0			
PM-DB2762	1-2:10-9	1:2.5	4-5:7-6	1:2.5	1-2=1.5, 10-9=3.5	3000(1)	12/Y	
					4-5=1.5, 7-6=3.5	4000(2)		
PM-DB2763	1-2:10-9	1.25:1	4-5:7-6	1.25:1	1-2=2.4, 10-9=1.5	3000(1)	12/Y	
					4-5=2.4, 7-6=1.5	4000(2)		
PM-DB2764	1-2:10-9	1.41:1	4-5:7-6	1.41:1	1-2=2.7, 10-9=2.2	5000(1)	12/Y	
					4-5=2.7, 7-6=2.2	7200(2)		
PM-DB2765	1-2:10-9	1:2.70	4-5:7-6	1:2.70	1-2=0.3, 10-9=2.0	2000(1)	12/Y	
					4-5=0.3, 7-6=2.0	3000(2)		
PM-DB2766	1-2:10-9	1:1.79	4-5:7-6	1:1.79	1-2=1.5, 10-9=2.5	2000(1)	12/Y	
					4-5=1.5, 7-6=2.5	4000(2)		
PM-DB2767	1-2:10-9	1.66:1	4-5:7-6	1.66:1	1-2=2.4, 10-9=1.5	3000(1)	12/Y	
					4-5=2.4, 7-6=1.5	4000(2)		
PM-DB2768	1-2:10-9	2:1	4-5:7-6	2:1	1-2=2.5, 10-9=1.3	5000(1)	12/Y	
					4-5=2.5, 7-6=1.3	7200(2)		

(1) Impedance at 75 KHz to 249 KHz

(2) Impedance at 250 KHz to 1MHz

Specifications subject to change without notice.

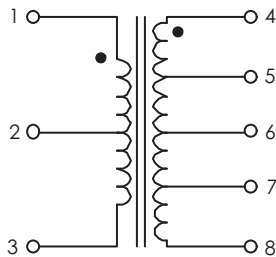
23351 Madero, Mission Viejo, CA 92691-2730 • TEL: (949) 859-8800 • FAX: (949) 859-9643 • E-MAIL: info@holtic.com

[www.holtic.com](http://www.holtic.com)

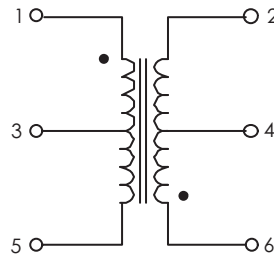
**MIL-STD-1553**  
**DATABUS INTERFACE TRANSFORMERS**  
**LOW PROFILE SINGLE / DUAL RATIO**  
(Add “+” to end of P/N for RoHS Compliance)

**SCHEMATICS**

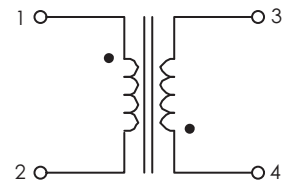
**SCHEMATIC “1”**



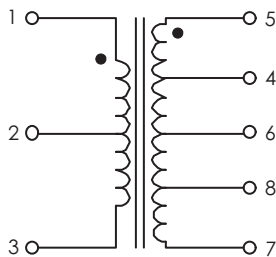
**SCHEMATIC “2”**



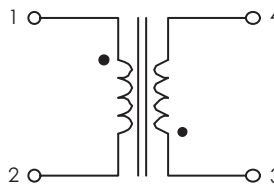
**SCHEMATIC “3”**



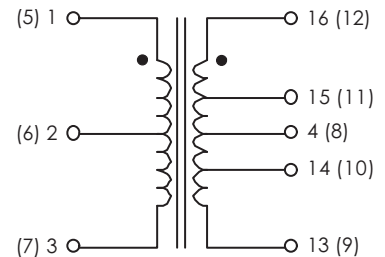
**SCHEMATIC “4”**



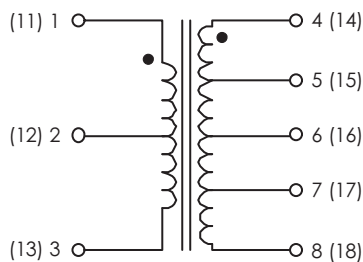
**SCHEMATIC “5”**



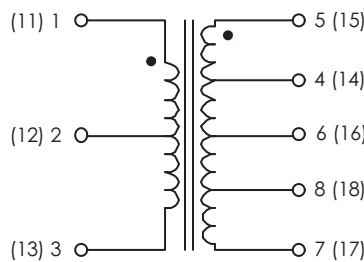
**SCHEMATIC “6”**



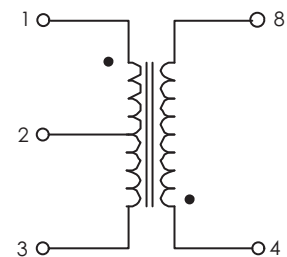
**SCHEMATIC “7”**



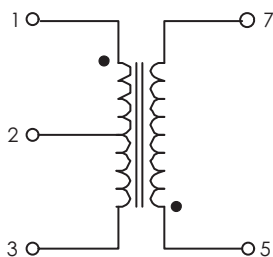
**SCHEMATIC “8”**



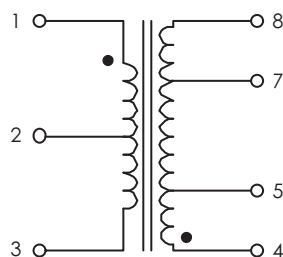
**SCHEMATIC “9”**



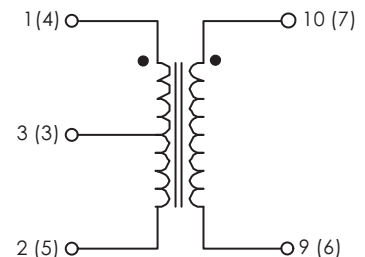
**SCHEMATIC “10”**



**SCHEMATIC “11”**



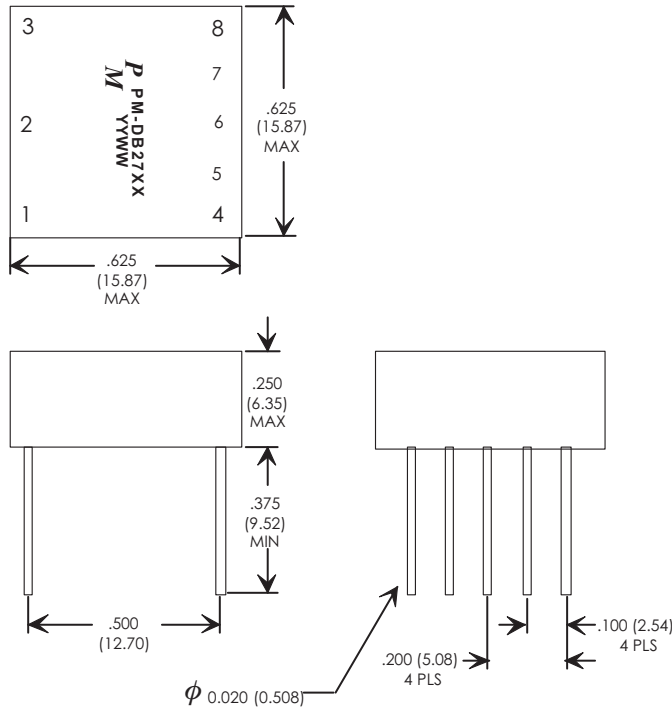
**SCHEMATIC “12”**



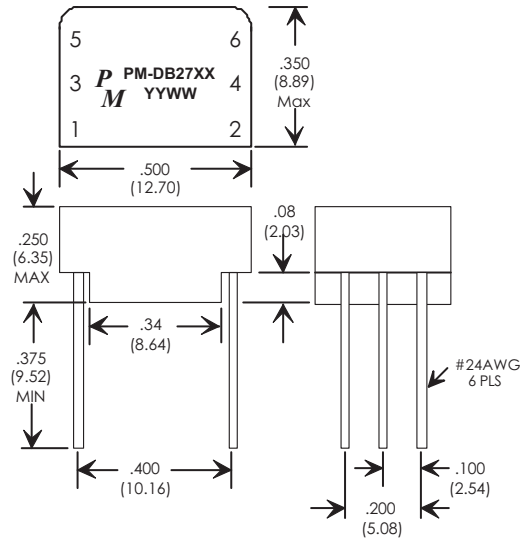
Specifications subject to change without notice.

**MIL-STD-1553**  
**DATABUS INTERFACE TRANSFORMERS**  
**LOW PROFILE SINGLE**  
(Add "+" to end of P/N for RoHS Compliance)

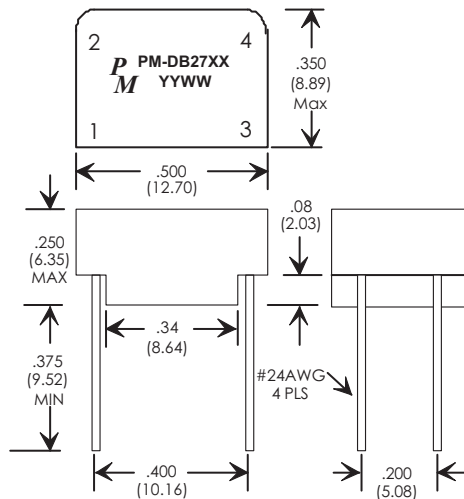
**FIGURE # A**



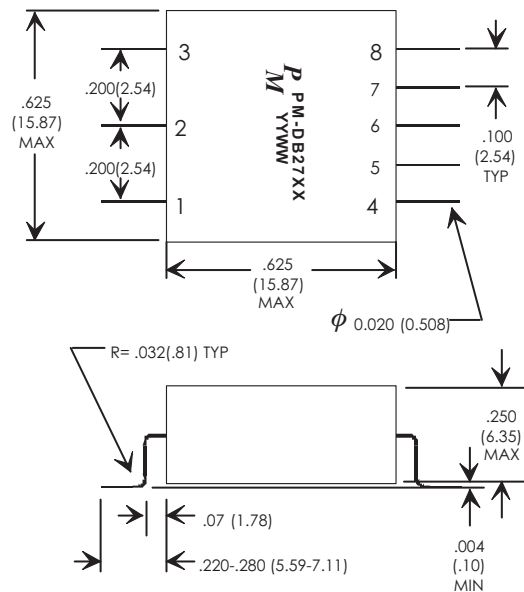
**FIGURE # B**



**FIGURE # C**



**FIGURE # D**

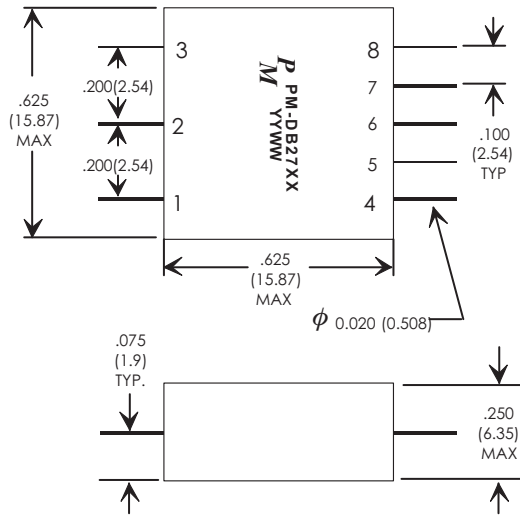


Specifications subject to change without notice.

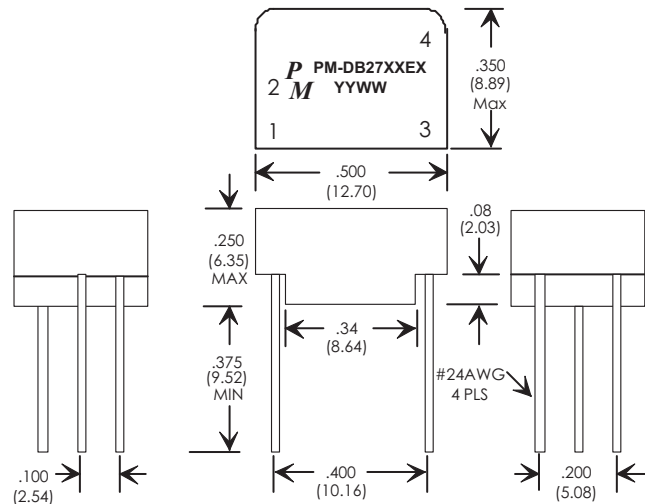
**MIL-STD-1553**  
**DATABUS INTERFACE TRANSFORMERS**  
**LOW PROFILE SINGLE**

(Add "+" to end of P/N for RoHS Compliance)

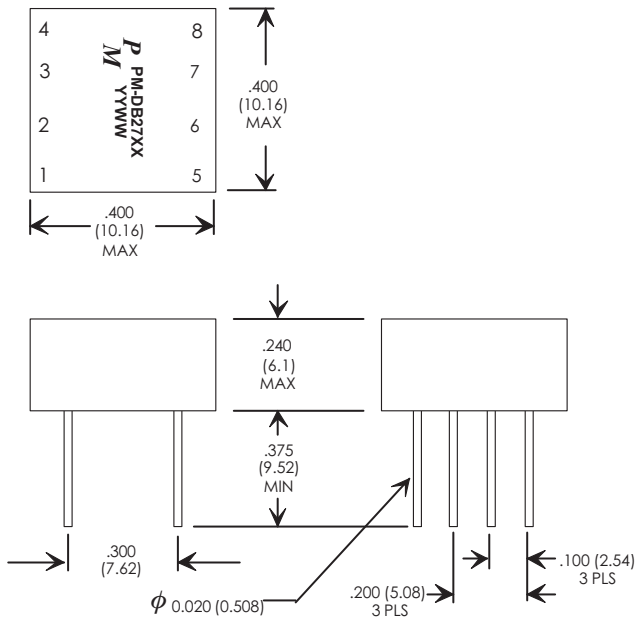
**FIGURE # E**



**FIGURE # F**



**FIGURE # G**

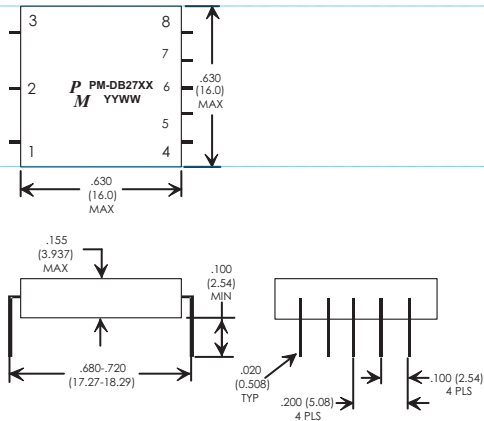


Specifications subject to change without notice.

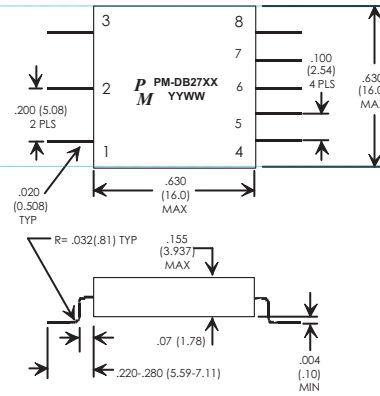


**MIL-STD-1553**  
**DATABUS INTERFACE TRANSFORMERS**  
**LOW PROFILE SINGLE**  
(Add "+" to end of P/N for RoHS Compliance)

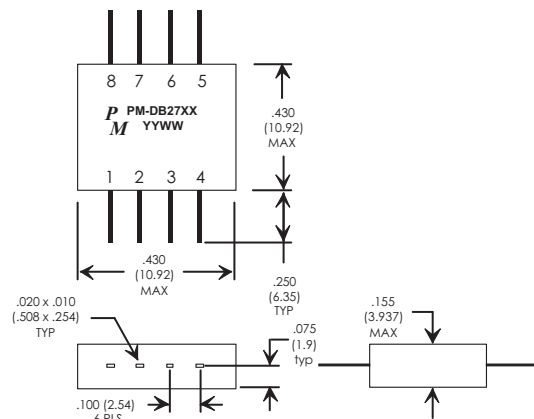
**FIGURE # K**



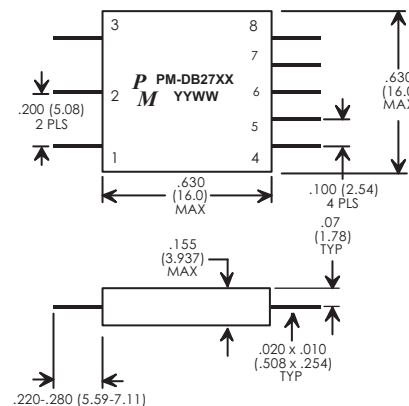
**FIGURE # L**



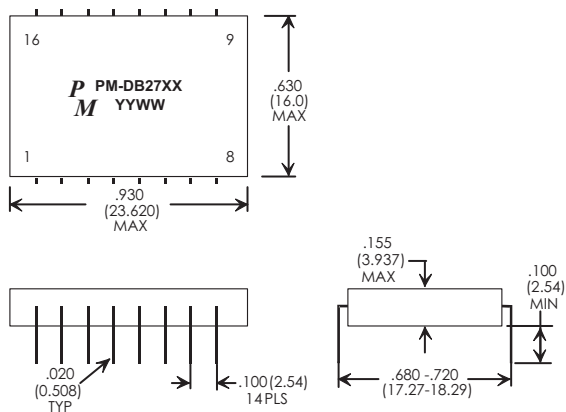
**FIGURE # M**



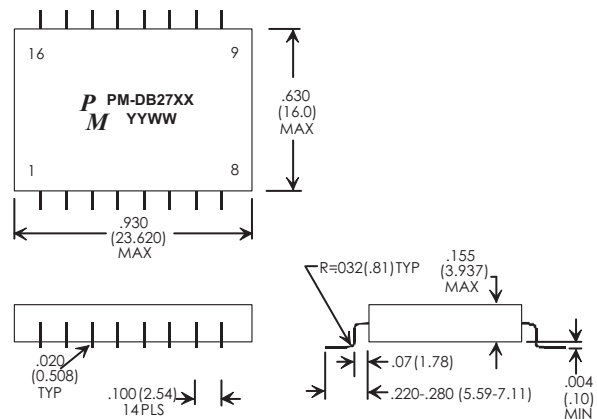
**FIGURE # N**



**FIGURE # R**



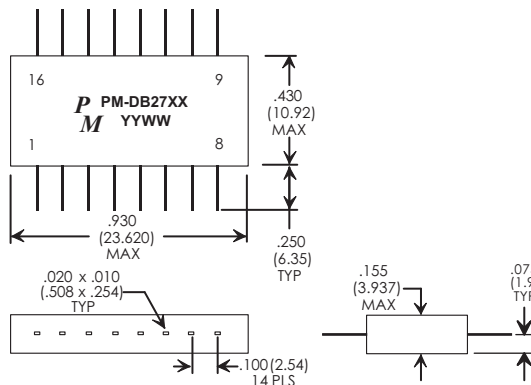
**FIGURE # S**



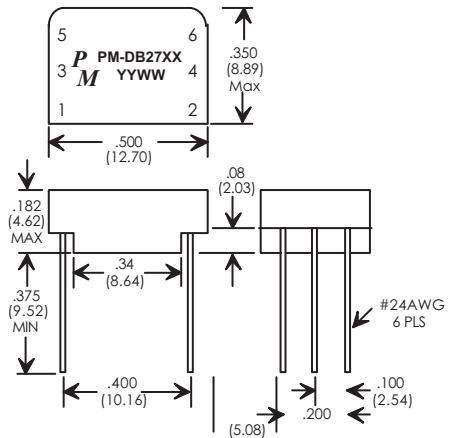
Specifications subject to change without notice.

**MIL-STD-1553**  
**DATABUS INTERFACE TRANSFORMERS**  
**LOW PROFILE SINGLE & DUAL**  
(Add “+” to end of P/N for RoHS Compliance)

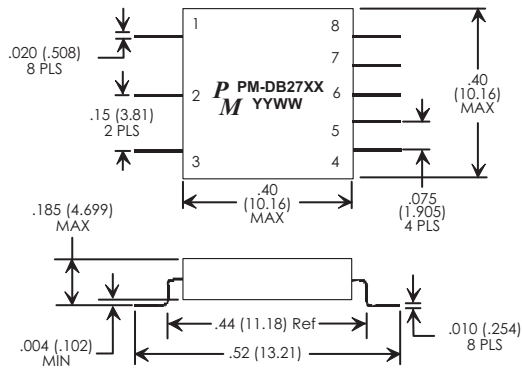
**FIGURE # T**



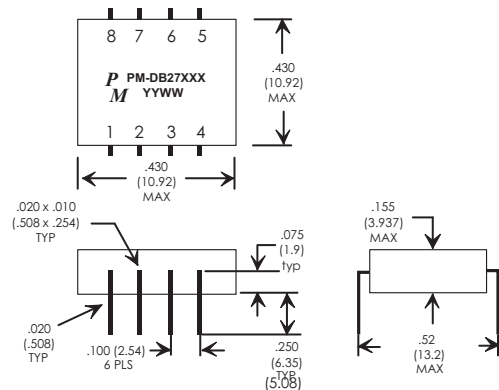
**FIGURE # U**



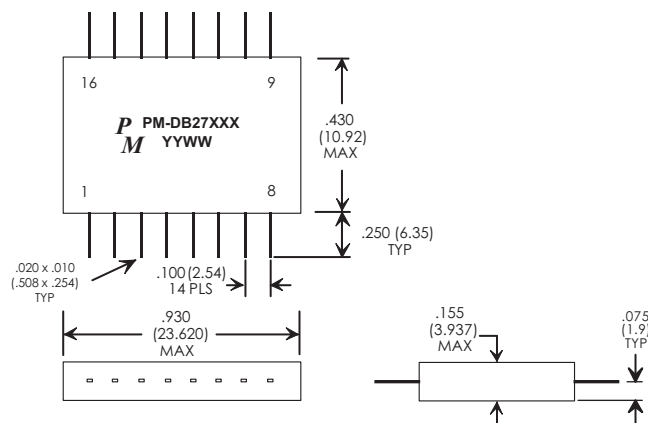
**FIGURE # V**



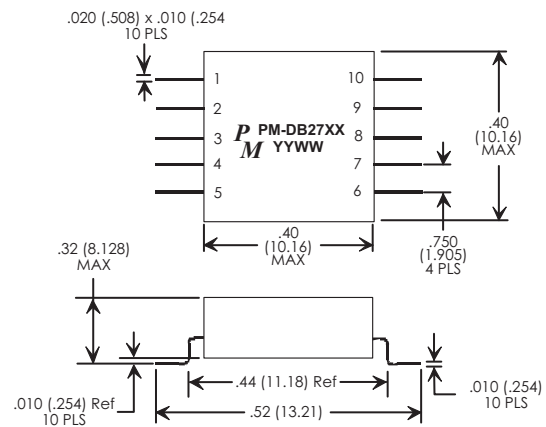
**FIGURE # W**



**FIGURE # X**



**FIGURE # Y**



Specifications subject to change without notice.



**MIL-STD-1553  
DATABUS INTERFACE TRANSFORMERS  
CROSS REFERENCE**

(Add “+” to end of P/N for RoHS Compliance)

**CROSS REFERENCE LISTING**

<u>PREMIER PART#</u>	<u>X-REF NAME/PART#</u>	<u>PREMIER PART#</u>	<u>X-REF NAME/PART#</u>
	<b><u>BETA</u></b>		<b><u>BETA</u></b>
PM-DB2701	B-2202	PM-DB2745L	LPB-5015
PM-DB2702	B-2203	PM-DB2741L	LPB-5003
PM-DB2703	B-2204	PM-DB2742L	LPB-5002
PMDB-2704	B-2205	PM-DB2743L	LPB-5004
PM-DB2705	B-2206	PM-DB2744L	LPB-5006
PM-DB2706	B-2207		
PM-DB2707	B-2208	PM-DB2745M	LPB-5014
PM-DB2708	B-2709	PM-DB2741M	LPB-5010
PM-DB2709	B-2210	PM-BD2742M	LPB-5009
PM-DB2710	B-2385	PM-BD2743M	LPB-5011
PM-DB2711	B-2386	PM-BD2744M	LPB-5013
PM-DB2712	B-2387		
PM-DB2713	B-2388	PM-DB2742D	TLP-1215
PM-DB2714	B-2389	PM-DB2743D	TLP-1212
PM-DB2715	B-2390	PM-DB2745D	TLP-1205
PM-DB2716	B-2342		
PM-DB2717	B-2343	PM-DB2742S	TLP-1015
PM-DB2718	B-2344	PM-DB2743S	TLP-1012
PM-DB2719	B-2345	PM-DB2745S	TLP-1005
PM-DB2720	B-2391		
PM-DB2701	B-3221	PM-DB2790S	MLP-2033
PM-DB2702	B-3222	PM-DB2791S	MLP-2005
PM-DB2703	B-3223	PM-DB2795S	MLP-2205
PM-DB2710	B-3224		
PM-DB2725	B-3225	PM-DB2742T	TLP-1115
PM-DB2725	B-3226	PM-DB2743T	TLP-1112
PM-DB2727	B-3227	PM-DB2745T	TLP-1105
PM-DB2728	B-3228		
PM-DB2729	B-3229	PM-DB2761	TSM-2033
PM-DB2730	B-3230	PM-DB2762	TSM-2005
PM-DB2731	B-3231	PM-DB2763	TSM-2012
		PM-DB2764	TSM-2015
		PM-DB2765	TSM-2233
		PM-DB2766	TSM-2205
		PM-DB2767	TSM-2212
		PM-DB2768	TSM-2215

Specifications subject to change without notice.

23351 Madero, Mission Viejo, CA 92691-2730 • TEL: (949) 859-8800 • FAX: (949) 859-9643 • E-MAIL: info@holtic.com

[www.holtic.com](http://www.holtic.com)



**MIL-STD-1553**  
**DATABUS INTERFACE TRANSFORMERS**  
**REVISION HISTORY**

(Add “+” to end of P/N for RoHS Compliance)

**REVISION HISTORY**

P/N	Rev	Date	Description of Change
DS1553_Trans	B	12/16/08	Added PM-DB2785S, PM-DB2790S, PM-DB2791S, PM-DB2795S, PM-DB2798S, PM-DB27100, PM-DB27101, PM-DB27200, PM-DB27255 part numbers.
	C	11/12/10	Added PM-DB2761, PM-DB2762, PM-DB2763, PM-DB2764, PM-DB2765, PM-DB2766, PM-DB2767 & PM-DB2768 part numbers, schematic and physical dimensions. Updated cross ref. list. Reformatted various tables.
	D	04/21/11	Typographical error in physical dimensions for Figure #V corrected.
	E	09/09/11	Repositioned dimension of “S” package closer to the location of the measurement.

Specifications subject to change without notice.

23351 Madero, Mission Viejo, CA 92691-2730 • TEL: (949) 859-8800 • FAX: (949) 859-9643 • E-MAIL: info@holtic.com

[www.holtic.com](http://www.holtic.com)