

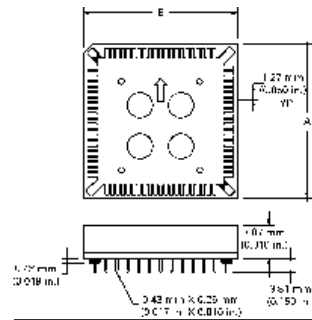
[Home](#) > [Products](#) > [Datasheet](#)

## PLCC Socket

### PLCC84PT2



Through-hole PLCC Sockets



#### Features Selected

|                         |                  |
|-------------------------|------------------|
| <b>Mounting Style</b>   | Through hole     |
| <b># of Positions</b>   | 84               |
| <b>Insulator Type</b>   | Standard Profile |
| <b>Frame Type Style</b> | Standard Outline |
| <b>Alignment Peg</b>    | no               |
| <b>Packaging Type</b>   | Tube             |

#### Other Properties

|                                      |  |
|--------------------------------------|--|
| <b>Product Style</b>                 | PLCC   |
| <b>Inner Clip/Contact Plating</b>    | 150 µin. Tin over Nickel                         |
| <b>Tail Length</b>                   | 3.30 mm (0.130 in)                               |
| <b>Contact Style</b>                 | SAF  |
| <b>Insulator Material</b>            | Glass-reinforced polyphenylene sulfide, UL 94V-0 |
| <b>Contact Base Material</b>         | Copper alloy                                     |
| <b>Inner Clip/Contact Base Metal</b> | Phosphor Bronze Alloy                            |

[Customer drawing](#)

[Product spec](#)

[Sample request](#)

#### PRODUCT SEARCH BY

[Part Number](#)

[Product Type](#)

[Industry Standard](#)

[Product Trade Name](#)

[Cross Reference](#)

[Alphabetic List](#)

[Application Tooling](#)

[Catalog Keyword](#)

[Document Search](#)

#### QUICK LINKS

[Basics+](#)

[High Speed](#)

[Wejtap](#)

#### LIBRARY

[Product Literature](#)

[Technical Library](#)

|                                    |  |
|------------------------------------|--|
| <b>Contact Resistance</b>          | 30 m ohms for through mount, 20 m ohms for surface mount |
| <b>Current Rating</b>              | 1 Amp  |
| <b>Voltage Rating</b>              | 600 V AC   |
| <b>Insertion Force</b>             | 2.21 N (228 gf) max.                                     |
| <b>Withdrawal Force</b>            | 0.17 N (18 gf) min.                                      |
| <b>Durability (Mating Cycles)</b>  | 25 cycles  |
| <b>Continuous Use Temperature</b>  | 220°C  |
| <b>Heat Deflection Temperature</b> | 260°C  |
| <b>Dim A</b>                       | 35.99 mm   |
| <b>Dim A (in.)</b>                 | 1.417 in.  |
| <b>Dim B</b>                       | 35.99 mm   |
| <b>Dim B (in.)</b>                 | 1.417 in.  |
| <b>Dim C</b>                       | 25.40 mm   |
| <b>Dim C (in.)</b>                 | 1.000 in.  |
| <b>Dim D</b>                       | 30.48 mm   |
| <b>Dim D (in.)</b>                 | 1.200 in.  |
| <b>Literature</b>                  | 950530-008   |

---

[Back](#)

[to top of page](#)

---