

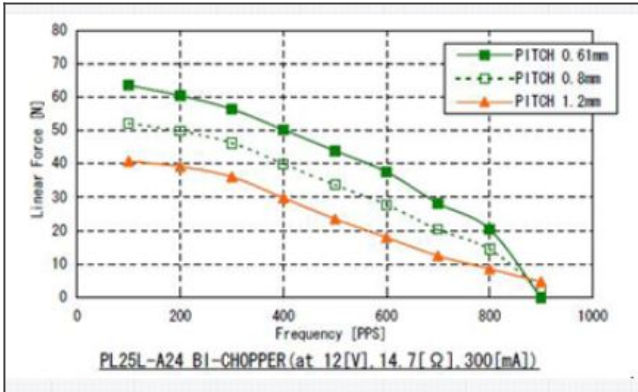
PL25L-A24 product picture



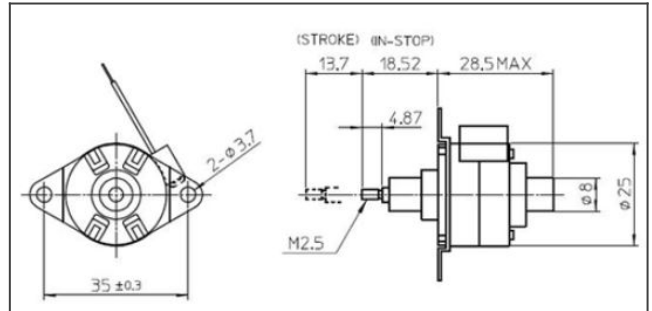
pl25l product picture



PL25L-A24 graph

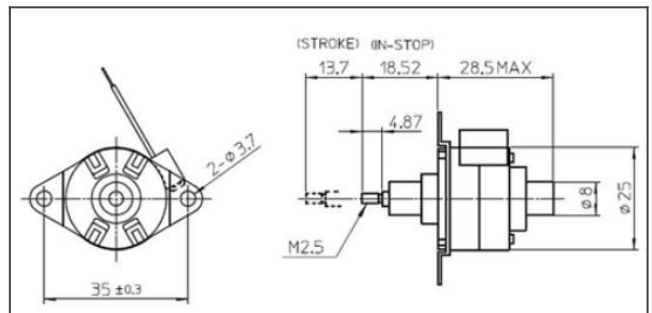


PL25L-A24 product drawing

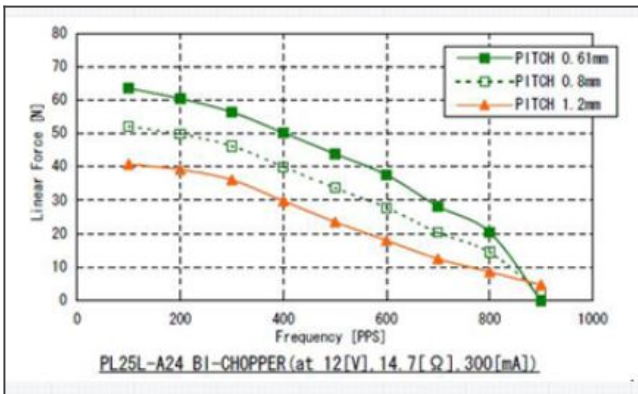


PL

pl25l product drawing



pl25l graph



Detailed Specifications

Motor Size:	25
Number of Steps per Rotation:	24 step
Screw Pitch:	1.2
Pitch / Step (at 2phase on):	0.05
Drive Method:	2-2 PHASE
Drive Circuit:	Bipolar Chopper
Drive Voltage:	12
Current / Phase:	300
DC Resistance:	14.7
Drive IC:	UDN2916B-V
Magnet Material:	Nd-Fe-B bonded magnet(MS70)
Insulation Resistance (M):	100
Dielectric Strength:	500
Class of Insulation:	CLASS B
Operating Temp Upper:	65
Storage Temp Lower:	-30
Storage Temp Upper:	80
Operating Hum. Lower:	20
Operating Hum. Upper:	90

PL