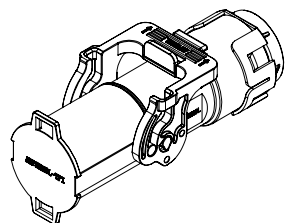


THIS DRAWING IS SUPPLIED FOR INFORMATION ONLY. DESIGN FEATURES, SPECIFICATIONS AND PERFORMANCE DATA SHOWN HEREON ARE THE PROPERTY OF THE AMPHENOL CORPORATION. NO RIGHTS OF REPRODUCTION ARE IMPLIED. ALL DIMENSIONS ARE SUBJECT TO NORMAL MANUFACTURING VARIATIONS.

CUSTOMER DRAWING

REVISIONS					
REV#	ECN#	REVISION ACTION	REV.BY:	APPR.BY:	DATE
01	--	INITIAL RELEASE	Star	JL	11/04/2021



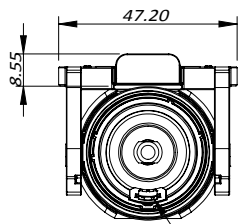
订购信息 Ordering Information

PL18 X - 50 1 - 2 - G74

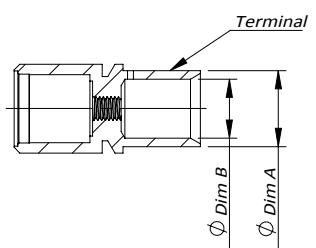
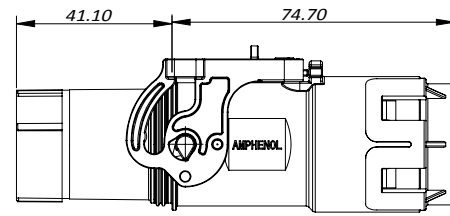
Key and Color
 "X", Orange
 "Y", Black
 "U", Yellow
 "V", Green
 "W", Red
 "T", Blue

HVIL
 "0", NO HVIL
 "1", With HVIL

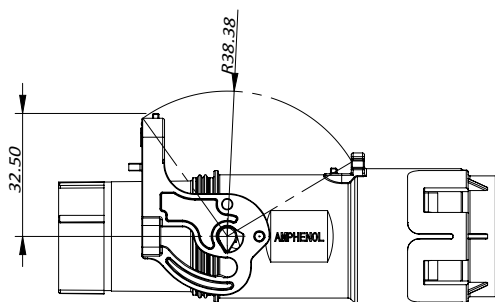
Cable:
 Coroflex 9-2611/95mm2



HVIL Contact



Terminal



规格参数(Spec.):

- 工作温度 Operating temperature: -40°C ~ +125°C.
- 带高压互锁 Electrical interlock (HVIL).
- 额定电流 Current rating:
Power: 95mm², 300A; HVIL: 5A.
- 额定电压 Operating voltage:
Power: 1000 VDC; Signal: 60 VDC.
- 耐电压 Dielectric withstanding voltage:
A. 与插座对插后, Pin与铁壳之间
When mated, between pin and metal shell: 5000 VDC.
B. 与插座对插后, Pin与HVIL之间
When mated, between pin and HVIL: 5000 VDC.
C. 与插座对插后, HVIL与铁壳之间
When mated, between HVIL and metal shell: 500 VDC.
D. 与插座对插前, 两个HVIL端子之间耐压
Before mating, between two HVIL terminals: 500 VDC.
- 防护等级 Protection class: Mated-IP6k9k & IP67, unmated-IP2X.
- 电磁屏蔽 360° full Shielding.
- 机械寿命 Mating cycle: 100 Min.
- 带CPA的摇杆系统 Latch system with CPA.
- 绝缘材料满足UL94 V-0 Inner insulation material satisfy UL94V-0.
- 镀灰锌/镍合金, 符合RoHS, 满足500H中性盐雾实验
Gray Zinc/Nickel(ZnNi)Plating. RoHS compliant, Rated at 500 hours salt spray.

Standard Part List:

Model No.	Overall-diameter Nominal(mm)	Dia Primary Insulation(mm)	Inside-diameter of terminal(mm): "B"	Outside-diameter of terminal(mm): "A"
PL18(X)-50X-2-G74	20.50 ± 0.40	16.500 ± 0.70	15.40 ± 0.20	20.4 ± 0.30



Amphenol Technical Products International Asia.

第三角投影 THIRD ANGLE PROJECTION	页面 SHEET	幅面 SIZE	版次 REV.	比例 SCALE	PART NAME:
	1 OF 2	A4	01		PL14mm G2 straight plug
签名 SIGNATURE	日期 DATE	UNLESS OTHERWISE SPECIFIED			DWG NO:
制图 DRAWN	Star	11/04/2021	1) All dimensions are in metric(mm). 2) Tolerances are as follows:		
审核 CHECKED			1.PL DEC ± 1.00 2.PL DEC ± 0.50 3.PL DEC ± 0.20		
批准 APPROVAL			Angles ±1°		
					CUST PART #
					CUST REV.

THIS DRAWING IS SUPPLIED FOR INFORMATION ONLY. DESIGN FEATURES, SPECIFICATIONS AND PERFORMANCE DATA SHOWN HEREON ARE THE PROPERTY OF THE AMPHENOL CORPORATION. NO RIGHTS OF REPRODUCTION ARE IMPLIED. ALL DIMENSIONS ARE SUBJECT TO NORMAL MANUFACTURING VARIATIONS.

1	2	3	4	5	6	7	8																																																												
型号	Kit Package P/N	Bulk Package P/N	描述	REVISIONS																																																															
PL18X-500-95-2-G74	AC-HA020191	AC-HA020191-2	PwrLok Plug PL18X-500-95-2-G74	REV#	ECN#	REVISION ACTION	REV.BY:	APPR.BY:	DATE																																																										
PL18Y-500-95-2-G74	AC-HA020192	AC-HA020192-2	PwrLok Plug PL18Y-500-95-2-G74	01	--	INITIAL RELEASE	Star	JL	11/04/2021																																																										
PL18U-500-95-2-G74	AC-HA020193	AC-HA020193-2	PwrLok Plug PL18U-500-95-2-G74																																																																
PL18V-500-95-2-G74	AC-HA020194	AC-HA020194-2	PwrLok Plug PL18V-500-95-2-G74																																																																
PL18W-500-95-2-G74	AC-HA020195	AC-HA020195-2	PwrLok Plug PL18W-500-95-2-G74																																																																
PL18T-500-95-2-G74	AC-HA020196	AC-HA020196-2	PwrLok Plug PL18T-500-95-2-G74																																																																
PL18X-501-95-2-G74	AC-HA020197	AC-HA020197-2	PwrLok Plug PL18X-501-95-2-G74																																																																
PL18Y-501-95-2-G74	AC-HA020198	AC-HA020198-2	PwrLok Plug PL18Y-501-95-2-G74																																																																
PL18U-501-95-2-G74	AC-HA020199	AC-HA020199-2	PwrLok Plug PL18U-501-95-2-G74																																																																
PL18V-501-95-2-G74	AC-HA020200	AC-HA020200-2	PwrLok Plug PL18V-501-95-2-G74																																																																
PL18W-501-95-2-G74	AC-HA020201	AC-HA020201-2	PwrLok Plug PL18W-501-95-2-G74																																																																
PL18T-501-95-2-G74	AC-HA020202	AC-HA020202-2	PwrLok Plug PL18T-501-95-2-G74																																																																
				<table border="1" style="width: 100%; border-collapse: collapse;"> <thead> <tr> <th style="width: 10%;">ITEM</th> <th style="width: 60%;">DESCRIPTION</th> <th style="width: 10%;">QTY</th> <th style="width: 20%;">REMARK</th> </tr> </thead> <tbody> <tr> <td>13</td> <td>PL500 G2 1 POS plug protection cap</td> <td style="text-align: center;">1</td> <td>Order P/N AC-CP001600</td> </tr> <tr> <td>12</td> <td>PL500 G2 Insulation Sleeve Assy</td> <td style="text-align: center;">1</td> <td></td> </tr> <tr> <td>11</td> <td>PL500 G2 Terminal Assy</td> <td style="text-align: center;">1</td> <td></td> </tr> <tr> <td>10</td> <td>PL500 G2 Outer Copper Ring for Straight Plug</td> <td style="text-align: center;">1</td> <td></td> </tr> <tr> <td>9</td> <td>PL500 G2 Inner Copper Ring</td> <td style="text-align: center;">1</td> <td></td> </tr> <tr> <td>8</td> <td>PL500 G2 Tail Cap for straight plug</td> <td style="text-align: center;">1</td> <td></td> </tr> <tr> <td>7</td> <td>PL500 G2 cable sealing for straight plug</td> <td style="text-align: center;">1</td> <td></td> </tr> <tr> <td>6</td> <td>PL500 G2 Metal Gasket</td> <td style="text-align: center;">1</td> <td></td> </tr> <tr> <td>5</td> <td>PL500 G2 Coil Spring for straight Plug</td> <td style="text-align: center;">1</td> <td></td> </tr> <tr> <td>4</td> <td>PL500 G2 Lock Housing2</td> <td style="text-align: center;">1</td> <td></td> </tr> <tr> <td>3</td> <td>PL500 G2 Lock Housing1</td> <td style="text-align: center;">2</td> <td></td> </tr> <tr> <td>2</td> <td>PL500 G2 Shell Plug Assy</td> <td style="text-align: center;">1</td> <td></td> </tr> <tr> <td>1</td> <td>PL500 G2 Dust Cap for Plug</td> <td style="text-align: center;">1</td> <td></td> </tr> <tr> <td colspan="2" style="text-align: center;">MATERIALS LIST</td> <td colspan="2"></td> </tr> </tbody> </table>				ITEM	DESCRIPTION	QTY	REMARK	13	PL500 G2 1 POS plug protection cap	1	Order P/N AC-CP001600	12	PL500 G2 Insulation Sleeve Assy	1		11	PL500 G2 Terminal Assy	1		10	PL500 G2 Outer Copper Ring for Straight Plug	1		9	PL500 G2 Inner Copper Ring	1		8	PL500 G2 Tail Cap for straight plug	1		7	PL500 G2 cable sealing for straight plug	1		6	PL500 G2 Metal Gasket	1		5	PL500 G2 Coil Spring for straight Plug	1		4	PL500 G2 Lock Housing2	1		3	PL500 G2 Lock Housing1	2		2	PL500 G2 Shell Plug Assy	1		1	PL500 G2 Dust Cap for Plug	1		MATERIALS LIST			
								ITEM	DESCRIPTION	QTY	REMARK																																																								
								13	PL500 G2 1 POS plug protection cap	1	Order P/N AC-CP001600																																																								
								12	PL500 G2 Insulation Sleeve Assy	1																																																									
								11	PL500 G2 Terminal Assy	1																																																									
								10	PL500 G2 Outer Copper Ring for Straight Plug	1																																																									
								9	PL500 G2 Inner Copper Ring	1																																																									
								8	PL500 G2 Tail Cap for straight plug	1																																																									
								7	PL500 G2 cable sealing for straight plug	1																																																									
								6	PL500 G2 Metal Gasket	1																																																									
								5	PL500 G2 Coil Spring for straight Plug	1																																																									
								4	PL500 G2 Lock Housing2	1																																																									
								3	PL500 G2 Lock Housing1	2																																																									
2	PL500 G2 Shell Plug Assy	1																																																																	
1	PL500 G2 Dust Cap for Plug	1																																																																	
MATERIALS LIST																																																																			
<div style="display: flex; justify-content: space-between; align-items: center;"> <div style="text-align: center;"> </div> <div style="text-align: right;"> <p>Amphenol Technical Products International Asia.</p> <p>第三角投影 THIRD ANGLE PROJECTION</p> <p>页 幅 版 比 SHEET SIZE REV. SCALE</p> <p>2 OF 2 A4 01</p> </div> </div> <table border="1" style="width: 100%; border-collapse: collapse;"> <tr> <td style="width: 20%;">签名 SIGNATURE</td> <td style="width: 15%;">日期 DATE</td> <td rowspan="4" style="width: 30%; vertical-align: top;"> <p>UNLESS OTHERWISE SPECIFIED</p> <p>1) All dimensions are in metric(mm).</p> <p>2) Tolerances are as follows:</p> <p>1.PL DEC ± 1.00</p> <p>2.PL DEC ± 0.50</p> <p>3.PL DEC ± 0.20</p> <p style="text-align: right;">Angles ±1°</p> </td> <td style="width: 35%;">PART NAME:</td> </tr> <tr> <td>制图 DRAWN</td> <td>Star</td> <td>11/04/2021</td> <td>PL14mm G2 straight plug</td> </tr> <tr> <td>审核 CHECKED</td> <td></td> <td></td> <td>DWG NO:</td> </tr> <tr> <td>批准 APPROVAL</td> <td></td> <td></td> <td>PL18X-50X-2-G74</td> </tr> <tr> <td colspan="3"></td> <td>CUST PART #</td> <td>CUST REV.</td> </tr> </table>				签名 SIGNATURE	日期 DATE	<p>UNLESS OTHERWISE SPECIFIED</p> <p>1) All dimensions are in metric(mm).</p> <p>2) Tolerances are as follows:</p> <p>1.PL DEC ± 1.00</p> <p>2.PL DEC ± 0.50</p> <p>3.PL DEC ± 0.20</p> <p style="text-align: right;">Angles ±1°</p>	PART NAME:	制图 DRAWN	Star	11/04/2021	PL14mm G2 straight plug	审核 CHECKED			DWG NO:	批准 APPROVAL			PL18X-50X-2-G74				CUST PART #	CUST REV.																																											
				签名 SIGNATURE	日期 DATE		<p>UNLESS OTHERWISE SPECIFIED</p> <p>1) All dimensions are in metric(mm).</p> <p>2) Tolerances are as follows:</p> <p>1.PL DEC ± 1.00</p> <p>2.PL DEC ± 0.50</p> <p>3.PL DEC ± 0.20</p> <p style="text-align: right;">Angles ±1°</p>	PART NAME:																																																											
				制图 DRAWN	Star			11/04/2021	PL14mm G2 straight plug																																																										
				审核 CHECKED					DWG NO:																																																										
				批准 APPROVAL				PL18X-50X-2-G74																																																											
							CUST PART #	CUST REV.																																																											
				<p style="text-align: center;">Note: Optional to be ordered separately</p>																																																															