

PKA70B1/4 ✓ ACTIVE

Alcoswitch | Alcoswitch PKA

TE Internal #: 1-1437624-5

Phenolic, Ribbed Knob Design, 6.35 mm [.25 in] Shaft Size, Product Diameter 24.9 mm [.98 in], Black, Line, Alcoswitch PKA, Switch Knobs

[View on TE.com >](#)



Switches > Switch Knobs



Primary Product Material: **Phenolic**

Knob Design: **Ribbed**

Shaft Size: **6.35 mm [.25 in]**

Product Diameter: **24.9 mm [.98 in]**

Primary Product Color: **Black**

Features

Configuration Features

Skirt	With
Spinner	Without
Spin Plate	Without
Knob Design	Ribbed

Body Features

Primary Product Material	Phenolic
Primary Product Color	Black

Dimensions

Shaft Size	6.35 mm [.25 in]
Product Diameter	24.9 mm [.98 in]

Identification Marking

Indicator Style	Line
Indicator Location	On Skirt



Product Compliance

[For compliance documentation, visit the product page on TE.com>](#)

EU RoHS Directive 2011/65/EU	Compliant
EU ELV Directive 2000/53/EC	Compliant
China RoHS 2 Directive MIIT Order No 32, 2016	No Restricted Materials Above Threshold
EU REACH Regulation (EC) No. 1907/2006	Current ECHA Candidate List: JUNE 2024 (241) Candidate List Declared Against: JUNE 2024 (241) Does not contain REACH SVHC
Halogen Content	Low Halogen - Br, Cl, F, I < 900 ppm per homogenous material. Also BFR/CFR/PVC Free
Solder Process Capability	Not applicable for solder process capability

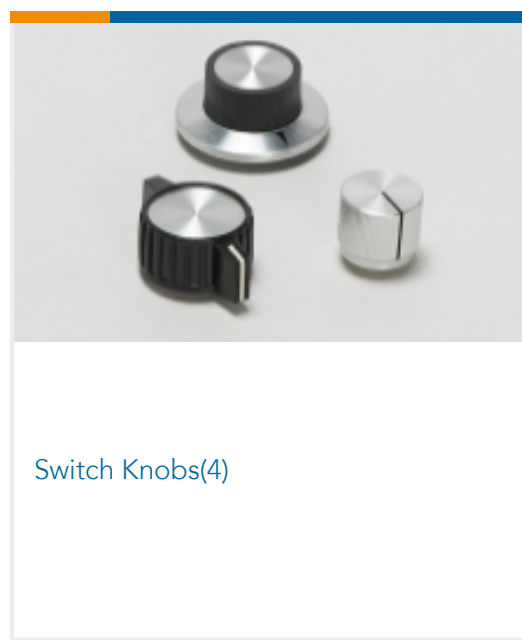
Product Compliance Disclaimer

This information is provided based on reasonable inquiry of our suppliers and represents our current actual knowledge based on the information they provided. This information is subject to change. The part numbers that TE has identified as EU RoHS compliant have a maximum concentration of 0.1% by weight in homogenous materials for lead, hexavalent chromium, mercury, PBB, PBDE, DBP, BBP, DEHP, DIBP, and 0.01% for cadmium, or qualify for an exemption to these limits as defined in the Annexes of Directive 2011/65/EU (RoHS2). Finished electrical and electronic equipment products will be CE marked as required by Directive 2011/65/EU. Components may not be CE marked. Additionally, the part numbers that TE has identified as EU ELV compliant have a maximum concentration of 0.1% by weight in homogenous materials for lead, hexavalent chromium, and mercury, and 0.01% for cadmium, or qualify for an exemption to these limits as defined in the Annexes of Directive 2000/53/EC (ELV). Regarding the REACH Regulation, the information TE provides on SVHC in articles for this part number is based on the latest European Chemicals Agency (ECHA) 'Guidance on requirements for substances in articles' posted at this URL: <https://echa.europa.eu/guidance-documents/guidance-on-reach>

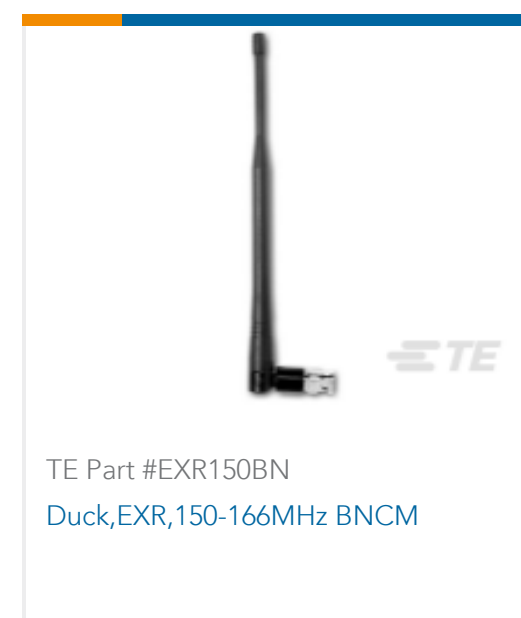
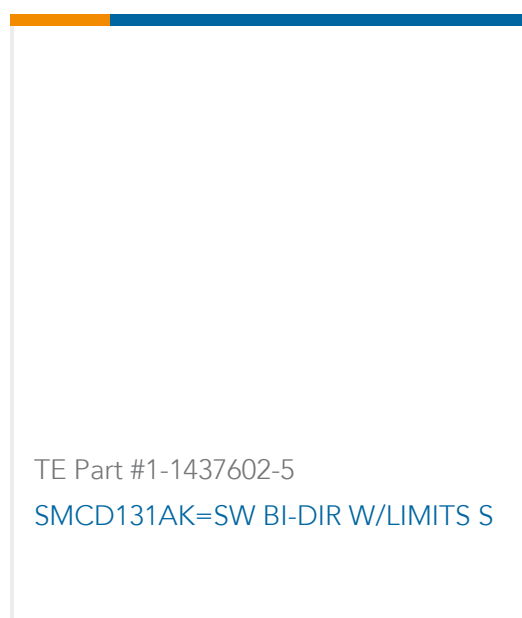
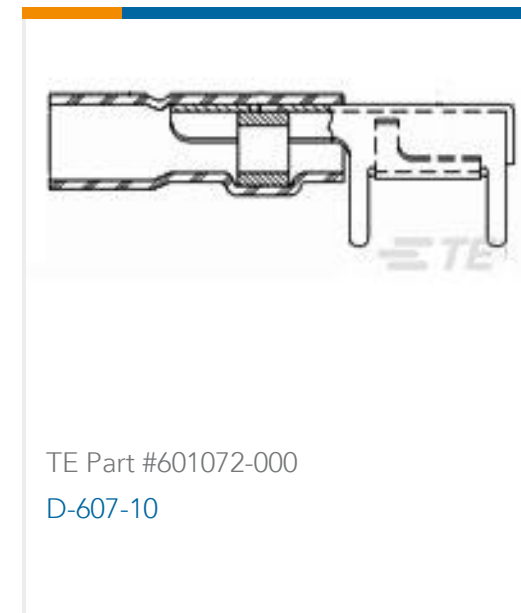
Compatible Parts



Also in the Series | [Alcoswitch PKA](#)



Customers Also Bought



Documents

Product Drawings

[PKA70B1/4=KNOB PLASTIC 1/4 IN](#)

English

CAD Files

[Customer View Model](#)

[ENG_CVM_1-1437624-5_D.3d_igs.zip](#)

English

[Customer View Model](#)



[ENG_CVM_1-1437624-5_D.3d_stp.zip](#)

English

Customer View Model

[ENG_CVM_1-1437624-5_D.2d_dxf.zip](#)

English

3D PDF

English

By downloading the CAD file I accept and agree to the [Terms and Conditions](#) of use.