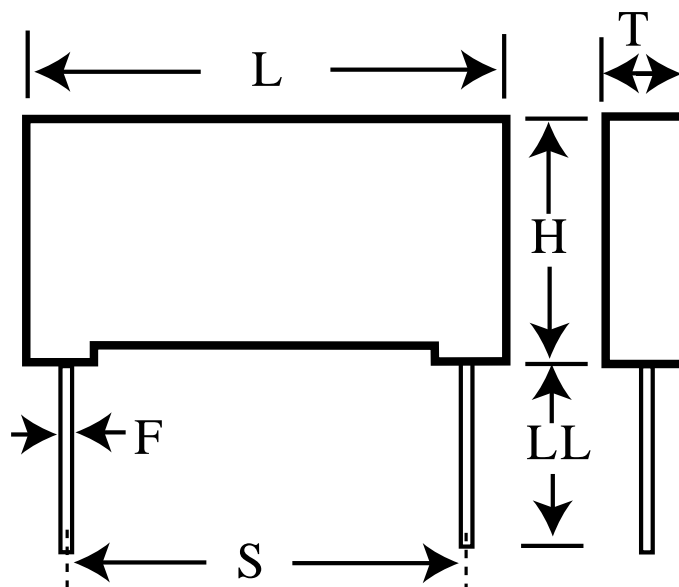


PHE426HJ6220JR17T0

aka F426JU224J250L PHE426HJ6220JJ06R17T0

Capacitor, film, 0.22 uF, 5% Tol, 250V@85C, Lead Spacing=5mm



Dimensions (mm)

ID	Dimension	Tolerance
L	7.2	max
H	13	max
T	7.2	max
S	5	+/-0.4
LL	17	nom
F	0.5	nom

Specifications

Manufacturer:	KEMET
Brand:	Rifa
Application:	Pulse
Sub Application:	High Frequency
Capacitance:	0.22 uF
Tolerance:	5%
Temperature Range:	-55/+105C
Climate Category:	55/105/56/B
Voltage DC @ 85C:	250V
Voltage DC @ 100C:	201V
Voltage DC @ 105C:	185V
Voltage AC:	160VAC
Voltage AC Temperature:	85C
Approval UL:	Yes
Approval ENEC:	No
Approval CUL:	No
Approval CSA:	No
Dielectric:	Metallized Polypropylene
Construction:	Non Inductive
Dissipation Factor @ 1 KHz:	0.05%
Dissipation Factor @ 10 KHz:	0.1%
Insulation Resistance:	100 GOhm
Inductance:	6 nH
Maximum dVdT:	40v/s
Body Type:	Radial Box
Package Kind:	T&R
Package Size:	360
Package Quantity:	800
Miscellaneous Electrical:	IEC 60384-16, 1.1; Rthha [85C/2.m/s] = 230 C/W series(PHE426)