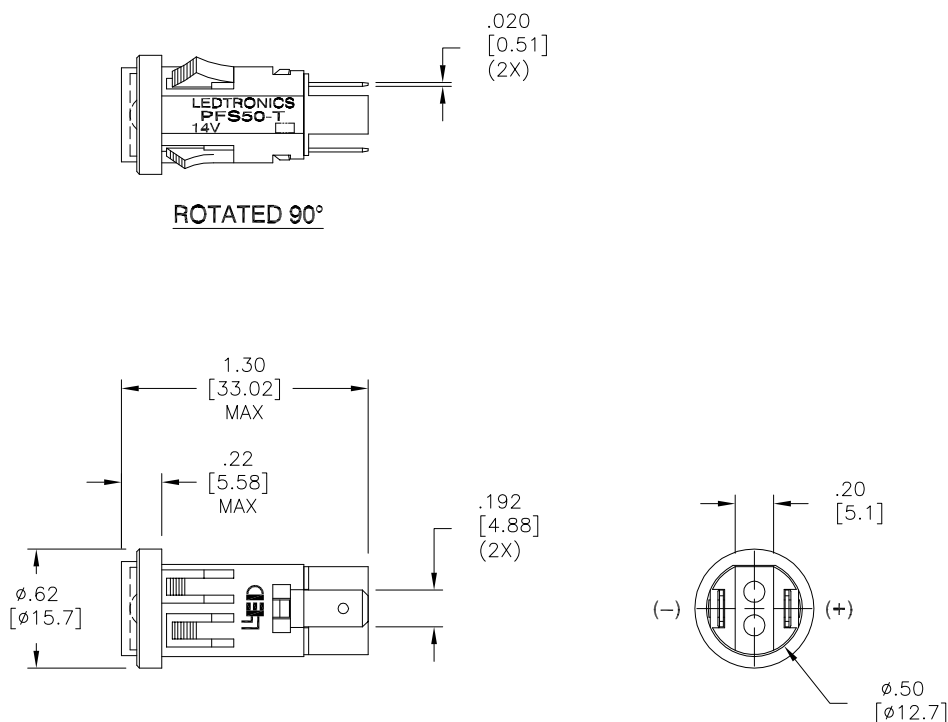


LTR	REVISION	DATE	APPD
A	011918-MM01: ADDED PART NUMBERS	01-19-18	MM



NOTES:

1. SLEEVE MATERIAL: NYLON 66 (UL94V-1 MIN / UL94V-0 PREF)
2. HEADER MATERIAL: NYLON 66 (UL94V-1 MIN / UL94V-0 PREF)
3. LENS MATERIAL: GE LEXAN 101-112
4. TERMINAL MATERIAL: BRASS S.A.E. CA 360, FEDERAL QQ-B-626 ALLOY 360
TERMINAL FINISH: TIN PLATE MIL-T-10727 TYPE I, DULL FINISH, .0001-.00025 THICK.



PFS50-0AG-014V-T	AQUA GREEN	14Vdc	0.015	-	520	30°
PFS50-0PB-014V-T	SUPER BLUE	14Vdc	0.015	-	463	25°
PFS50-0UR-014V-T	ULTRA RED	14Vdc	0.020	0.900cd	652	25°
PFS50-0UY-014V-T	SUPER YELLOW	14Vdc	0.020	1.800cd	596	30°
PFS50CG5-14V-T	HI-EFF GREEN	14Vdc	0.020	0.145cd	563	25°
PFS50CR6-14V-T	ULTRA RED	14Vdc	0.020	-	654	40°
LEDTRONICS PART NO.	COLOR EMITTED	INPUT VOLTAGE V (typ)	CURRENT (A)	MAXIMUM CANDELA	λP nm	LED FULL ANGLE
ELECTRICAL CHARACTERISTICS						

REVISION NOTIFICATION	
<input type="checkbox"/>	DLC
<input type="checkbox"/>	UL/ETL
<input type="checkbox"/>	MADE IN USA
<input type="checkbox"/>	CUSTOMER _____
<input type="checkbox"/>	OTHER _____
REDLINE CHECKLIST	
<input type="checkbox"/>	REDLINE(YES)
<input type="checkbox"/>	DATE: _____
<input type="checkbox"/>	INITIATED BY: _____
<input type="checkbox"/>	ECR REQUIRED YES <input type="checkbox"/> NO <input type="checkbox"/>
<input type="checkbox"/>	WORK ORDER# _____

LED[®]
LEDTRONICS,™ INC.
 23105 KASHIWA COURT
 TORRANCE, CA 90505

-PROPRIETARY-
 This document contains Proprietary information of LEDTRONICS, INC. It may not be copied, used or disclosed for any purpose without the prior express written consent of LEDTRONICS, INC.
 .XXX ± .010 TOLERANCE PER ANSI-Y14.5
 .XX ± .025 (UNLESS OTHERWISE STATED)
 ANGLES ± 0°,30'
 FRACT. ± 1/32

TITLE					
PFS50CXX-14V-T PFS50-0XX-014V-T					
DWG NO	SCALE	SHEET	DATE		
PFS50-14VDC-T	1:1	1 OF 1	05-21-09		
CODE IDENT NO.	DWG BY GP	CHK BY	QA EE	MFG LD	R&D LUV
8Z410	05-21-09		01-19-18	01-19-18	01-19-18