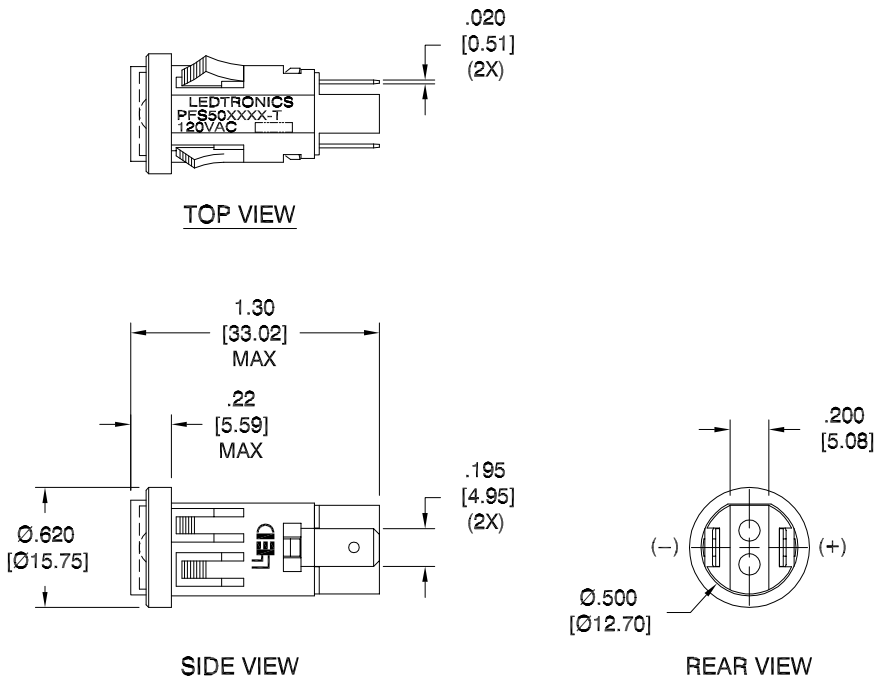


LTR	REVISION	DATE	APPD
A	050418-GP01: REMOVED P/N's	05-10-18	GP



NOTES:

1. ALL DIMENSIONS ARE IN INCHES [MILLIMETERS].
2. MOUNTING DIAMETER: Ø1/2" (12.7mm)
3. LENS MATERIAL: GE LEXAN 101-112
4. SLEEVE MATERIAL / COLOR: NYLON 66 (UL94V-1 MIN / UL94V-0 PREF) / BLACK
5. HEADER MATERIAL / COLOR: NYLON 66 (UL94V-1 MIN / UL94V-0 PREF) / BLACK
6. TERMINAL MATERIAL: BRASS S.A.E. CA 360, FEDERAL QQ-B-626 ALLOY 360
 FINISH: TIN PLATE MIL-T-10727 TYPE I, DULL FINISH, .0001-.00025 THICK.

REVISION NOTIFICATION	
<input type="checkbox"/>	DLC
<input type="checkbox"/>	UL/ETL
<input type="checkbox"/>	MADE IN USA
<input type="checkbox"/>	CUSTOMER _____
<input type="checkbox"/>	OTHER
REDLINE CHECKLIST	
<input type="checkbox"/>	REDLINE(YES)
<input type="checkbox"/>	DATE: _____
<input type="checkbox"/>	INITIATED BY: _____
<input type="checkbox"/>	ECR REQUIRED YES <input type="checkbox"/> NO <input type="checkbox"/>
<input type="checkbox"/>	WORK ORDER# _____

ELECTRICAL-OPTICAL CHARACTERISTICS (Ta = 25°C)

PFS50-0AG-120A-T	AQUA GREEN	120Vac	0.006-0.008 A	2.500cd	520	180°
PFS50-0U0-120A-T	SUPER ORANGE	120Vac	0.006-0.008 A	-	610	180°
PFS50-0UR-120A-T	ULTRA RED	120Vac	0.006-0.008 A	0.450cd	652	180°
PFS50-0UY-120A-T	SUPER YELLOW	120Vac	0.006-0.008 A	0.900cd	595	180°
PFS50CG5-120VAC-T	HI-EFF GREEN	120Vac	0.006-0.008 A	0.087cd	563	180°
PFS50CR6-120VAC-T	ULTRA RED	120Vac	0.006-0.008 A	0.135cd	654	180°
PFS50CY5-120VAC-T	YELLOW	120Vac	0.006-0.008 A	0.030cd	584	180°
LEDTRONICS PART NO.	COLOR EMITTED	INPUT VOLTAGE, V	CURRENT (A)	MAXIMUM CANDELA	λP nm	VIEWING ANGLE (FULL BEAM WIDTH @ 50% INTENSITY)

 LEDTRONICS,™ INC. 23105 KASHIWA COURT TORRANCE, CA 90505	-PROPRIETARY- This document contains Proprietary information of LEDTRONICS,™ INC. It may not be copied, used or disclosed for any purpose without the prior express written consent of LEDTRONICS,™ INC.		TITLE PFS50-0XX-120A-T PFS50CXX-120VAC-T			
	.XXX ± .010 TOLERANCE PER ANSI-Y14.5 .XX ± .025 (UNLESS OTHERWISE STATED) ANGLES ± 0°,30' FRACT. ± 1/32		DWG NO	SCALE	SHEET	DATE
	PFS50-120VAC-T		1:1	1 OF 1	06-04-07	
CODE IDENT NO.	DWG BY GP	CHK BY	QA EE	MFG LD	R&D KS	
8Z410	06-04-07		05-17-18	05-16-18	05-16-18	