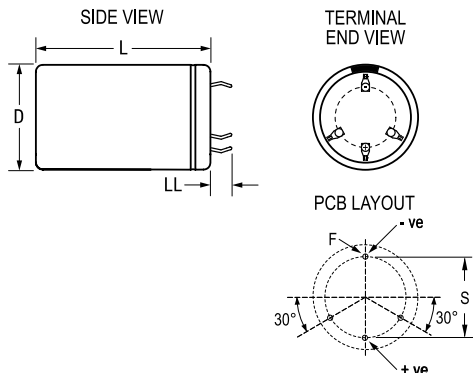


KEMET Part Number: PEH534YDB3150M4
(A561EC151M450C)

PEH534, Aluminum Electrolytic, 150 uF, 20%, 450 VDC, -40/+105°C



General Information	
Series:	PEH534
Dielectric:	Aluminum Electrolytic
Description:	Snap-In, Aluminum Electrolytic
RoHS:	Yes
Lead:	4 Pin
AEC-Q200:	No
Notes:	Add 0.5mm To D And 1mm To L For Sleeving.
Shelf Life:	156 Weeks

Dimensions	
D	35mm +1mm
L	25mm +/-2mm
S	22.5mm +/-0.1mm
LL	6.3mm +/-1mm
F	2mm +/-0.1mm

Specifications	
Capacitance:	150 uF
Capacitance Tolerance:	20%
Voltage DC:	450 VDC
Temperature Range:	-40/+105°C
Rated Temperature:	105°C
Life:	3000 Hrs (Rated Voltage And Ripple Current At 105C), 4000 Hrs (Rated Voltage At 105C)
Resistance:	570 mOhms (100Hz 20C), 330 mOhms (100kHz 20C)
Ripple Current:	0.9 Amps (100Hz 105C), 5.9 Amps (20kHz 40C)
Leakage Current:	203 uA (5min 20°C)

Packaging Specifications	
Weight:	32 g
Packaging:	Bulk, Bag
Packaging Quantity:	200

Statements of suitability for certain applications are based on our knowledge of typical operating conditions for such applications, but are not intended to constitute - and we specifically disclaim - any warranty concerning suitability for a specific customer application or use. This Information is intended for use only by customers who have the requisite experience and capability to determine the correct products for their application. Any technical advice inferred from this Information or otherwise provided by us with reference to the use of our products is given gratis, and we assume no obligation or liability for the advice given or results obtained.