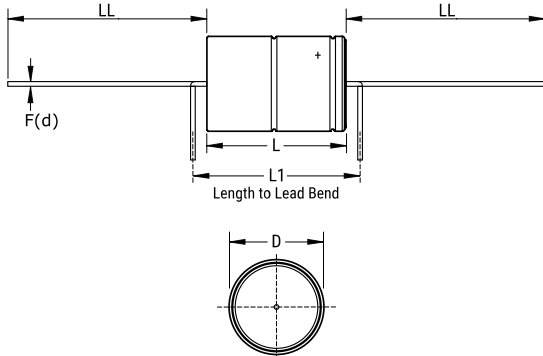


PEG226, Aluminum Electrolytic, 2,200 uF, -10/+30%, 40 VDC, -40/+150°C



Note: '()' correspond to the letters used in the product bulletin

Dimensions	
D	20mm +/-0.5mm
L	34.7mm +/-1mm
L1	41mm MIN
LL	40mm +/-2mm
F	1mm +/-0.03mm

Packaging Specifications	
Weight:	20 g
Sleeving:	Yes
Packaging:	Bulk, Bag
Packaging Quantity:	125

General Information	
Series:	PEG226
Dielectric:	Aluminum Electrolytic
Style:	Axial
Description:	Vibration Resistant Extremely High Ripple Axial Aluminum Electrolytic
RoHS:	Yes
Lead:	Wire Leads
Qualifications:	AEC-Q200
AEC-Q200:	Yes
Notes:	L1 is KEMETs recommendation for minimum distance between symmetrical Lead bend. Available only for Customer specific part numbers. Lead bend dimensions must be specified and confirmed per article. Dimensions D And L Include Sleeving.
Shelf Life:	156 Weeks

Specifications	
Capacitance:	2,200 uF
Capacitance Tolerance:	-10/+30%
Voltage DC:	40 VDC
Temperature Range:	-40/+150°C
Rated Temperature:	150°C
Life:	2000 Hrs
Resistance:	41 mOhms (100Hz 20C), 17 mOhms (100kHz 20C), 7.9 mOhms (5-100kHz 150C)
Ripple Current:	25.7 Amps (5kHz 125C, With Heat Sink), 16.2 Amps (5kHz 140C, With Heat Sink), 7.3 Amps (5kHz 150C, With Heat Sink), 8.9 Amps (5kHz 125C), 11.2 Amps (>=5kHz 125C Max)
Leakage Current:	264 uA (5min 20°C)