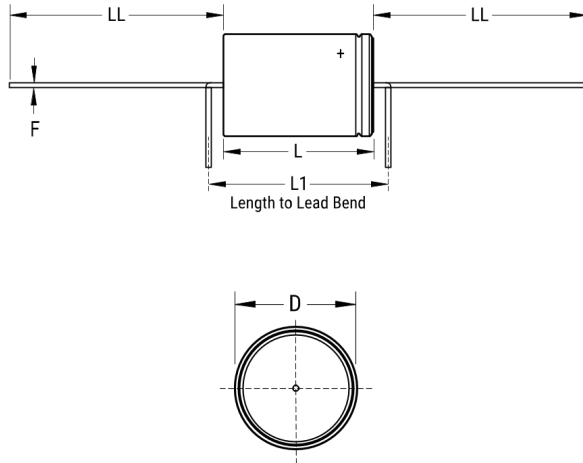


## PEG124VB1220QL1

Obsolete

PEG124, Aluminum, Aluminum Electrolytic, 2.2 uF, -10/+30%, 400 VDC, -40/+105°C



Click [here](#) for the 3D model.

### Dimensions

D	10mm +/-0.5mm
L	29mm +/-1mm
L1	35mm MIN
LL	27mm +3/-2mm
F	0.8mm +/-0.03mm

### Packaging Specifications

Sleeving	true
Packaging	Bulk, Bag

### General Information

Series	PEG124
Dielectric	Aluminum Electrolytic
Style	Axial
Description	Long Life Axial Aluminum Electrolytic
Features	Long Life
RoHS	Yes
Lead	Wire Leads
AEC-Q200	No
Halogen Free	true
Typical Component Weight	4 g
Miscellaneous	Life Calculation Based On Maximum Ripple Current, Please Contact KEMET For More Information.
Notes	L1 is KEMETs recommendation for minimum distance between symmetrical Lead bend. Available only for Customer specific part numbers. Lead bend dimensions must be specified and confirmed per article. Dimensions D And L Include Sleeving.
Shelf Life	156 Weeks

### Specifications

Capacitance	2.2 uF
Capacitance Tolerance	-10/+30%
Voltage DC	400 VDC
Temperature Range	-40/+105°C
Rated Temperature	105°C
Life	8000 Hrs
ESR	25000 mOhms (100Hz 20C), 12000 mOhms (100kHz 20C)
Ripple Current	0.042 Amps (100Hz 105C), 0.27 Amps (5kHz 60C), 0.11 Amps (5kHz 105C)
Leakage Current	3 uA (5min 20°C)
Inductance	6 nH (ESL)

Statements of suitability for certain applications are based on our knowledge of typical operating conditions for such applications, but are not intended to constitute - and we specifically disclaim - any warranty concerning suitability for a specific customer application or use. This information is intended for use only by customers who have the requisite experience and capability to determine the correct products for their application. Any technical advice inferred from this information or otherwise provided by us with reference to the use of our products is given gratis, and we assume no obligation or liability for the advice given or results obtained.