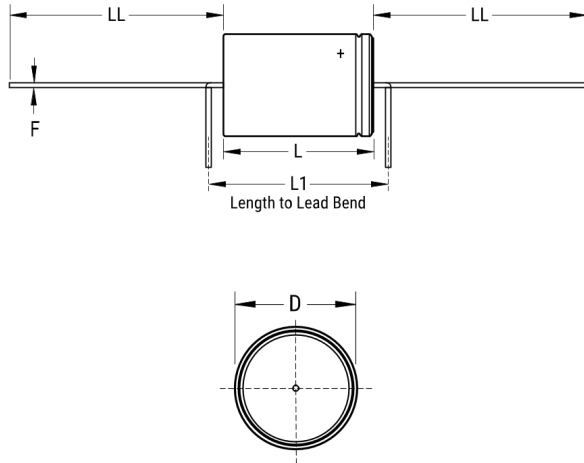


PEG124MD3100QL1

Obsolete

PEG124_125C, Aluminum, Aluminum Electrolytic, 100 uF, -10/+30%, 63 VDC, -40/+125°C



Click [here](#) for the 3D model.

Dimensions

D	13mm +/-0.5mm
L	29mm +/-1mm
L1	35mm MIN
LL	42mm +3/-2mm
F	0.8mm +/-0.03mm

Packaging Specifications

Packaging	Bulk, Bag
Packaging Quantity	200

General Information

Series	PEG124_125C
Dielectric	Aluminum Electrolytic
Style	Axial
Description	Long Life Axial Aluminum Electrolytic
Features	Long Life
RoHS	Yes
Lead	Wire Leads
AEC-Q200	No
Halogen Free	true
Typical Component Weight	6 g
Miscellaneous	Life Calculation Based On Maximum Ripple Current, Please Contact KEMET For More Information.
Notes	L1 is KEMET's recommendation for minimum distance between symmetrical Lead bend. Available only for Customer specific part numbers. Lead bend dimensions must be specified and confirmed per article.

Specifications

Capacitance	100 uF
Capacitance Tolerance	-10/+30%
Voltage DC	63 VDC
Temperature Range	-40/+125°C
Rated Temperature	125°C
Life	2500 Hrs
ESR	740 mOhms (100Hz 20C), 260 mOhms (100kHz 20C)
Ripple Current	0.355 Amps (100Hz 125C), 3 Amps (5kHz 60C), 1 Amps (5kHz 125C)
Leakage Current	19 uA (5min 20°C)
Inductance	8 nH (ESL)

Statements of suitability for certain applications are based on our knowledge of typical operating conditions for such applications, but are not intended to constitute - and we specifically disclaim - any warranty concerning suitability for a specific customer application or use. This information is intended for use only by customers who have the requisite experience and capability to determine the correct products for their application. Any technical advice inferred from this information or otherwise provided by us with reference to the use of our products is given gratis, and we assume no obligation or liability for the advice given or results obtained.