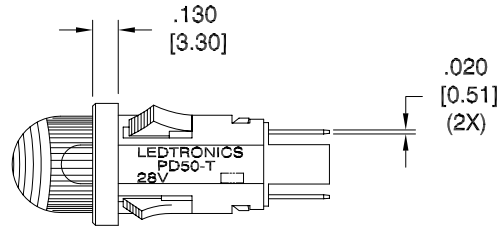
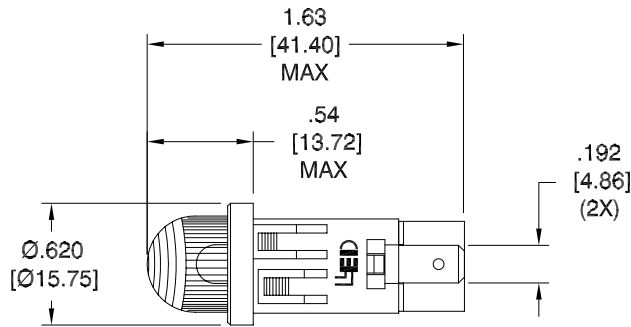


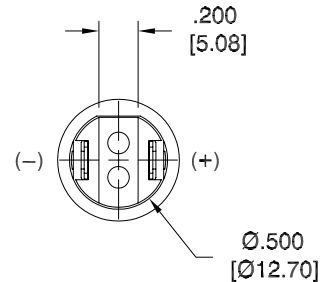
LTR	REVISION	DATE	APPD
-	RELEASED	06-24-16	



TOP VIEW



SIDE VIEW



REAR VIEW



NOTES:

1. ALL DIMENSIONS ARE IN INCHES [MILLIMETERS].
2. MOUNTING DIAMETER: Ø1/2" (12.7mm)
3. LENS MATERIAL: LEXAN 101-112 (UL 94V-2)
4. SLEEVE MATERIAL: BLACK, NYLON 66 (UL94V-1 MIN / UL94V-0 PREF)
5. HEADER MATERIAL: BLACK, NYLON 66 (UL94V-1 MIN / UL94V-0 PREF)
6. TERMINAL MATERIAL: BRASS S.A.E. CA 360, FEDERAL QQ-B-626 ALLOY 360
FINISH: TIN PLATE MIL-T-10727 TYPE I, DULL FINISH, .0001-.00025 THICK.

REVISION NOTIFICATION	
<input type="checkbox"/> DLC	
<input type="checkbox"/> UL/ETL	
<input type="checkbox"/> MADE IN USA	
<input type="checkbox"/> CUSTOMER _____	
<input type="checkbox"/> OTHER	
REDLINE CHECKLIST	
<input type="checkbox"/> REDLINE(YES)	
<input type="checkbox"/> DATE: _____	
<input type="checkbox"/> INITIATED BY: _____	
<input type="checkbox"/> ECR REQUIRED YES <input type="checkbox"/> NO <input type="checkbox"/>	
<input type="checkbox"/> WORK ORDER# _____	

ELECTRICAL-OPTICAL CHARACTERISTICS (Ta = 25°C)

PD50-0AG-028V-T	AQUA GREEN	24/28Vdc@(28Vdc)	0.015 A	5.000cd	520	-	180°
PD50-0CW-028V-T	COOL WHITE	24/28Vdc@(28Vdc)	0.015 A	3.000cd	-	8000K	180°
PD50-0PB-028V-T	SUPER BLUE	24/28Vdc@(28Vdc)	0.014 A	-	463	-	180°
PD50-0UR-028V-T	ULTRA RED	24/28Vdc@(28Vdc)	0.020 A	0.900cd	652	-	180°
PD50-0UY-028V-T	SUPER YELLOW	24/28Vdc@(28Vdc)	0.020 A	1.800cd	595	-	180°
LEDTRONICS PART NO.	COLOR EMITTED	INPUT VOLTAGE, V	CURRENT (A)	MAXIMUM CANDELA	λP nm	COLOR TEMP. (K)	VIEWING ANGLE (FULL BEAM WIDTH @ 50% INTENSITY)



-PROPRIETARY-
This document contains Proprietary information of LEDTRONICS, INC. It may not be copied, used or disclosed for any purpose without the prior express written consent of LEDTRONICS, INC.
 .XXX ± .010 TOLERANCE PER ANSI-Y14.5
 .XX ± .025 (UNLESS OTHERWISE STATED)
 ANGLES ± 0°,30'
 FRACT. ± 1/32

TITLE							
PD50-0XX-028V-T							
DWG NO		SCALE		SHEET		DATE	
PD50-28VDC-T		1:1		1 OF 1		06-24-16	
CODE IDENT NO.	DWG BY GP	CHK BY LUV	QA JH	MFG	R&D LUV		
8Z410	06-24-16	06-24-16	06-24-16		06-24-16		