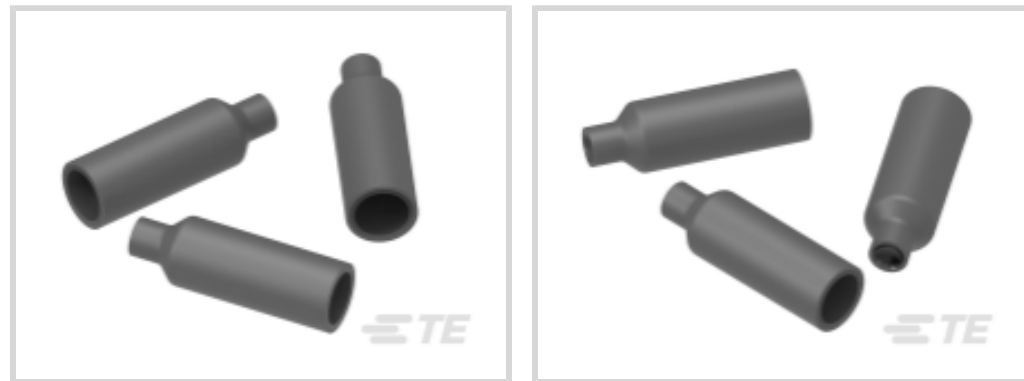




Wire Protection & Management > Heat Shrink Shapes > Heat Shrink Caps



Wall Type: **Dual Wall**

Operating Temperature Range: -55 – 110 °C [-67 – 230 °F]

Features

Product Type Features

Wall Type	Dual Wall
-----------	-----------

Body Features

Lining Type	Encapsulant
Shrink Ratio	3:1
Primary Product Material	Crosslinked Polyolefin
Flexibility	Semi-Rigid
Primary Product Color	Black

Dimensions

Recovered Wall Thickness (Nominal)	1.57 mm[.062 in]
Recovered Inside Diameter (Max)	1.52 mm[.06 in]
Expanded Inside Diameter (Min)	4.8 mm[.189 in]
Compatible Cable Diameter Range	4.8 mm[.18 in]
Wall Thickness	Thin
Product Length	25.4 mm[1 in]

Usage Conditions

Flammability Requirement	Non-Flame-Retardant
Fluid Resistance Type	Brake Fluid, Chemicals/Solvents, Hydraulic Fluid, Lubricating Oil, Water
Resistance Properties	Splash Protection
Operating Temperature Range	-55 – 110 °C[-67 – 230 °F]



Operation/Application

Mechanical Resistance	Abrasion, Fluids, Strain Relief, Vibration
-----------------------	--

Industry Standards

UL Rating	Recognized
-----------	------------

Product Compliance

[For compliance documentation, visit the product page on TE.com>](#)

EU RoHS Directive 2011/65/EU	Compliant
EU ELV Directive 2000/53/EC	Compliant
China RoHS 2 Directive MIIT Order No 32, 2016	No Restricted Materials Above Threshold
EU REACH Regulation (EC) No. 1907/2006	Current ECHA Candidate List: JUNE 2024 (241) Candidate List Declared Against: JUNE 2024 (241) Does not contain REACH SVHC
Halogen Content	Low Halogen - Br, Cl, F, I < 900 ppm per homogenous material. Also BFR/CFR/PVC Free
Solder Process Capability	Not applicable for solder process capability

Product Compliance Disclaimer

This information is provided based on reasonable inquiry of our suppliers and represents our current actual knowledge based on the information they provided. This information is subject to change. The part numbers that TE has identified as EU RoHS compliant have a maximum concentration of 0.1% by weight in homogenous materials for lead, hexavalent chromium, mercury, PBB, PBDE, DBP, BBP, DEHP, DIBP, and 0.01% for cadmium, or qualify for an exemption to these limits as defined in the Annexes of Directive 2011/65/EU (RoHS2). Finished electrical and electronic equipment products will be CE marked as required by Directive 2011/65/EU. Components may not be CE marked. Additionally, the part numbers that TE has identified as EU ELV compliant have a maximum concentration of 0.1% by weight in homogenous materials for lead, hexavalent chromium, and mercury, and 0.01% for cadmium, or qualify for an exemption to these limits as defined in the Annexes of Directive 2000/53/EC (ELV). Regarding the REACH Regulation, the information TE provides on SVHC in articles for this part number is based on the latest European Chemicals Agency (ECHA) 'Guidance on requirements for substances in articles' posted at this URL: <https://echa.europa.eu/guidance-documents/guidance-on-reach>

Compatible Parts






TE Part # 1-2376800-3
RBK-X1C, W/ AIR COOLING



TE Part # 1-2376800-4
RBK-X1C CE, W/ AIR COOLING



TE Part # 2234800-1
RBK-X1 STD



TE Part # 2234800-2
RBK-X1 CE STD



TE Part # 2326489-1
MODEL 105 TUNNEL OVEN, 36" ENTRY, STAND A



TE Part # 2375310-1
XB17 Belt Heater, 220V



TE Part # 2375310-2
XB17 Belt Heater, 110V



TE Part # 2375320-1
XB19 Belt Heater, STD



TE Part # 2375320-2
XB19 Belt Heater, 150mm (6") Version



TE Part # 2376800-1
RBK-X1C STD



TE Part # 2376800-2
RBK-X1C CE STD



TE Part # 2394980-1
MOD 105 TUN OVEN, 69" ENTRY, STARDARD



TE Part # 955018-000
CLTEQ-M105-TUNNEL-OVEN




TE Part # 714529-000
CLTEQ-M19-BELT-HTR

TE Part # 1-2375320-1
XB19 BELT HEATER, AUTO SHUT OFF

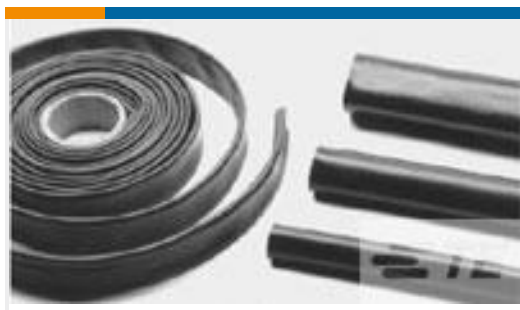
TE Part # 1-528018-1
IR-1891 SHUTTLE RETURN

Also in the Series | RAYCHEM PD Cap



Heat Shrink Caps(6)

Customers Also Bought



TE Part #CB5432-000
XFFR-04X4



TE Part #770252-1
UMN II PIN PTPBR LP 24-18



TE Part #5555799-1
MJ,TE,8P/8C,KEYED,TRAY PAC



TE Part #HD36-24-16SN-059
PLG,16P,AL,N, CBL CLMP BT, DRAIN,
12,S,MC



TE Part #HDP26-24-18SN
PLG, 18P, BLK, N, 8/12/16, S



TE Part #5510050002
PD-CAP-3/8-0



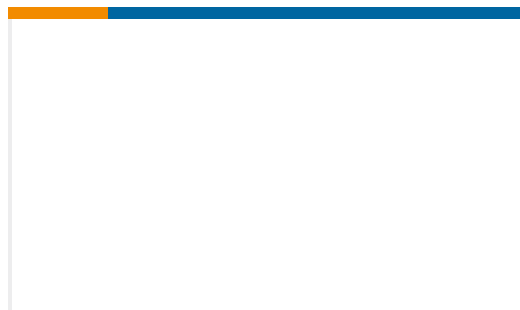
TE Part #5510320002
PD-CAP-1/8-0



TE Part #1060-12-0222-PS
PIN, SF, SIZE 12, 10, NI/NI, 100 PC



TE Part #DTV18S-BT-BK
BOOT, 18P, PLG, ST, BLK



TE Part #EG7019-000
THX-24C112-811-9-E628

Documents

Product Drawings

[PD-CAP-3/16-0](#)

English

Datasheets & Catalog Pages

[Measuring_Single_Wall_Tubing](#)

English

[PD Caps Pages from 9-1773447-9](#)

English

[Selecting_Correct_Tubing_1216](#)

English

[Semirigid, Encapsulant-Lined Heat-Shrinkable End Caps](#)

English

Product Specifications

[Application Specification](#)

English