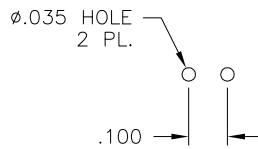
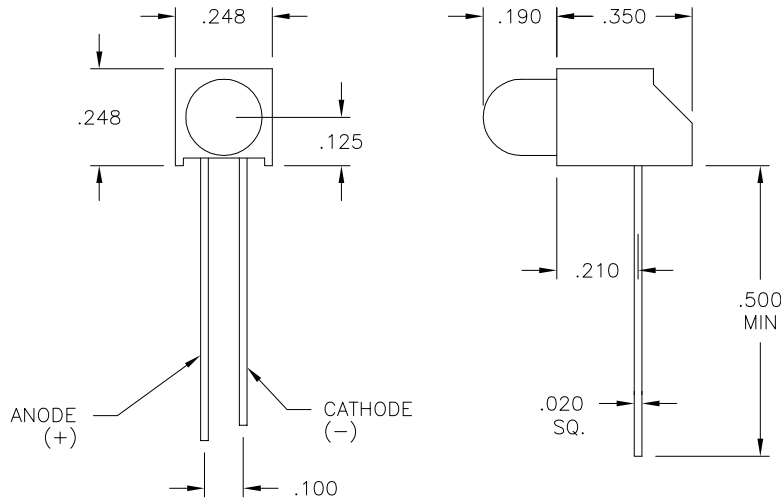
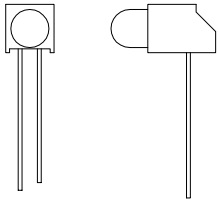


LTR	REVISION	DATE	APPD
-	RELEASED	04-22-96	
A	REVISED PER ECR 080398-GR02	08-04-98	SA

Actual Size



HOLE PATTERN

NOTES

1. LED SHALL SHOW NO SCRATCHES.
2. INSPECT LEADS TO BE PARALLEL AND STRAIGHT
3. TEST FOR COLOR AND POLARITY
4. ELECTRICAL TEST IN ACCORDANCE WITH TEST TABLE.
5. FINAL WEIGHT/COUNT OF ALL PARTS.
6. BASE MATERIAL RATED AT UL94V-0

LEDTRONICS PART NO.	L.E.D. RADIATION COLOR	ELECTRO-OPTICAL CHARACTERISTICS (T _a =25°C)				
		I _f =mA typ/max	I _v mcd min/typ	V _f =V typ/max	I _r max μA	λ _P nm
PCT200TR4	HI-EFF RED	20/30	12/38	2.0/2.8	100	635
PCT200TO4	ORANGE	20/30	23/39	2.0/2.8	100	610
PCT200TY4	YELLOW	20/30	8/25	2.1/2.8	100	585
PCT200TG4	HI-EFF GREEN	20/30	8/25	2.2/2.8	100	565

<p>LEDTRONICS, INC. 23105 KASHIWA COURT TORRANCE, CA 90505</p>	<p align="center">-PROPRIETARY- This document contains Proprietary information of LEDTRONICS, INC.. It may not be copied, used or disclosed for any purpose without the prior express written consent of LEDTRONICS, Inc..</p>		<p align="center">TITLE PCT200TX4</p>			
	<p>.XXX ± .010 TOLERANCE PER ANSI-Y14.5 .XX ± .025 (UNLESS OTHERWISE STATED) ANGLES ± 0°,30' FRACT. ± 1/32</p>		DWG NO	SCALE	SHEET	DATE
	CODE IDENT NO.	DWG BY	CHK BY	QA	MFG	CUSTOMER
8Z410	JCH		FJ	RA		
		SDPC0117		2:1	1 OF 1	04-22-96
				09-30-98	09-30-98	