



# ACTIVE OPTICAL CABLE ASSEMBLIES

## FEATURES

- Drop in replacement for PCIe® electrical cable

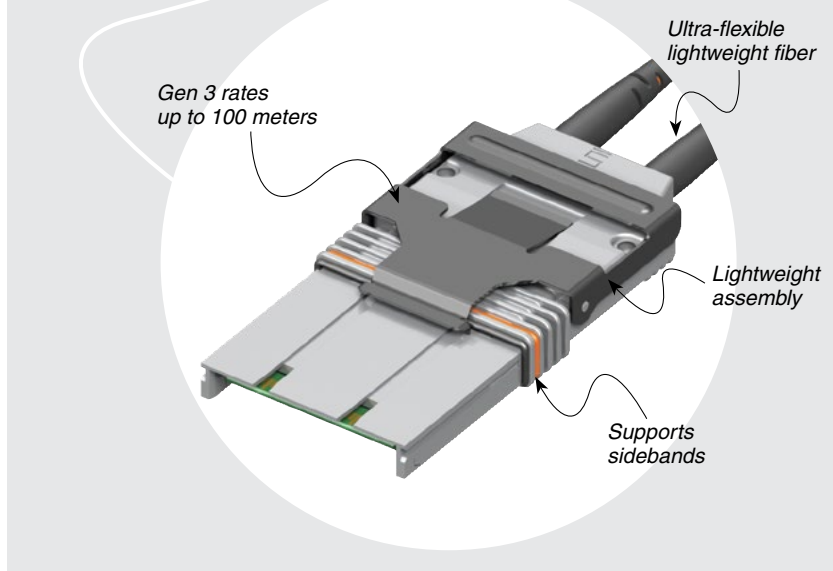
## SPECIFICATIONS

For complete specifications see [www.samtec.com?PCIEO](http://www.samtec.com?PCIEO)

**Fiber Type:**  
 1 m to 50 m = OM2  
 Over 50 m = OM3  
 All Half AOCs = OM3

## RECOGNITIONS

For complete scope of recognitions, see [www.samtec.com/quality](http://www.samtec.com/quality)



PCIEO	DATA RATE	CABLE LENGTH	OPTIONS
Full AOC With Host & Target	<p><b>-4G3</b> = x4 PCIe®, GEN 3</p> <p><b>-8G3</b> = x8 PCIe®, GEN 3</p> <p><b>-H8G3</b> = x4 PCIe® with, x8 PCIe® form factor, GEN 3</p> <p><b>-4AG3</b> = x4 PCIe® Host to x8 PCIe® Target, GEN 3</p> <p><b>-8AG3</b> = x8 PCIe® Host to x4 PCIe® Target, GEN 3</p>	<p><b>-000.5</b> = 500 mm</p> <p><b>to</b></p> <p><b>-100.0</b> = 100 m</p> <p>Standard lengths</p>	<p><b>-11</b> = 100 MHz Clock Frequency (Standard)</p> <p><b>-12</b> = 100 MHz Clock Frequency (No Sidebands)</p> <p><b>-15</b> = No Clock Output (Standard)</p> <p><b>-16</b> = No Clock Output (No Sidebands)</p>

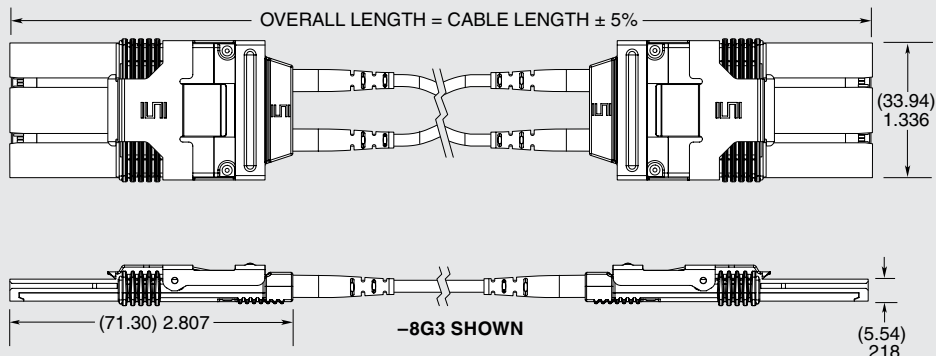
**Patents:** 7329054, 7824112, 7648287, 7766559, 8098993, additional patents pending

**Notes:**  
 Samtec PCIe® over Fiber systems are PCIe® compliant; however as with all PCIe® based systems, there is a risk of interoperability issues with specific systems. Samtec recommends discussing your system with our Optical Group prior to final design. Please contact [pcie@samtec.com](mailto:pcie@samtec.com).

PCI-SIG®, PCI Express® and the PCIe® design marks are registered trademarks and/or service marks of PCI-SIG.

MTP is a registered trademark of US Conec Ltd.

Some sizes, styles and options are non-standard, non-returnable.



Due to technical progress, all designs, specifications and components are subject to change without notice.

[WWW.SAMTEC.COM](http://WWW.SAMTEC.COM)

All parts within this catalog are built to Samtec's specifications. Customer specific requirements must be approved by Samtec and identified in a Samtec customer-specific drawing to apply.

