

PB7B2RS5M1CAL00Y500 ✓ ACTIVE

Alcoswitch | Alcoswitch PB7

TE Internal #: 2329362-8

Push Button Switches, Single Pole - Single Throw Configuration (Pole-Throw), General Purpose Push Button Switch, Single Actuator, Alcoswitch PB7

[View on TE.com >](#)



Switches > Push Button Switches



Configuration (Pole-Throw): **Single Pole - Single Throw**

Push Button Switch Product Type: **General Purpose Push Button Switch**

Number of Actuators: **Single**

Actuator Profile: **Flush**

Bushing Style: **Threaded**

Features

Product Type Features

Switch Connection Type	Long Leads
Push Button Switch Product Type	General Purpose Push Button Switch
Illuminated	Without
Actuator Style	Round

Configuration Features

Configuration (Pole-Throw)	Single Pole - Single Throw
Number of Actuators	Single
Snap Action	Without
Support Bracket	Without
Switch Feedback Type	Auditory
Operating Function	Momentary

Electrical Characteristics

Contact Current Rating	.12 A
Operating Voltage Range	32 VAC, 125 VAC



Body Features

Actuator Force	306 – 612 g[10.8 – 21.6 oz]
Case Material	Diallyl Phthalate (DAP)
Actuator Material	Polyamide
Product Orientation	Vertical
Actuator Profile	Flush
Bushing Style	Threaded
Bushing Thread Size	M12 x .75
Actuator Color	Yellow

Contact Features

Switch Contact Plating Material	Gold over Silver
---------------------------------	------------------

Housing Features

Process Sealed	Yes
----------------	-----

Industry Standards

IP Rating	IP68
-----------	------

Packaging Features

Packaging Method	Loose Piece
------------------	-------------

Product Compliance

[For compliance documentation, visit the product page on TE.com>](#)

EU RoHS Directive 2011/65/EU	Compliant with Exemptions
EU ELV Directive 2000/53/EC	Compliant with Exemptions
China RoHS 2 Directive MIIT Order No 32, 2016	Restricted Materials Above Threshold
EU REACH Regulation (EC) No. 1907/2006	Current ECHA Candidate List: JUNE 2024 (241) Candidate List Declared Against: JUNE 2024 (241) SVHC > Threshold: Pb (4% in Component Part) Article Safe Usage Statements: Do not eat, drink or smoke when using this product. Wash thoroughly after handling. Recycle if possible and dispose of the article by following all applicable governmental regulations relevant to your geographic location.
Halogen Content	Low Halogen - Br, Cl, F, I < 900 ppm per homogenous material. Also BFR/CFR/PVC Free
Solder Process Capability	Not reviewed for solder process capability

Product Compliance Disclaimer

This information is provided based on reasonable inquiry of our suppliers and represents our current actual knowledge based on the information they provided. This information is subject to change. The part numbers that TE has identified as EU RoHS compliant have a maximum concentration of 0.1% by weight in homogenous materials for lead, hexavalent chromium, mercury, PBB, PBDE, DBP, BBP, DEHP, DIBP, and 0.01% for cadmium, or qualify for an exemption to these limits as defined in the Annexes of Directive 2011/65/EU (RoHS2). Finished electrical and electronic equipment products will be CE marked as required by Directive 2011/65/EU. Components may not be CE marked. Additionally, the part numbers that TE has identified as EU ELV compliant have a maximum concentration of 0.1% by weight in homogenous materials for lead, hexavalent chromium, and mercury, and 0.01% for cadmium, or qualify for an exemption to these limits as defined in the Annexes of Directive 2000/53/EC (ELV). Regarding the REACH Regulation, the information TE provides on SVHC in articles for this part number is based on the latest European Chemicals Agency (ECHA) 'Guidance on requirements for substances in articles' posted at this URL: <https://echa.europa.eu/guidance-documents/guidance-on-reach>

Compatible Parts



TE Part # 2329387-4
PB OFF/ON FC BLK M1 TERM GRE
LED IP68



TE Part # 2329383-3
PB OFF/ON FC YLW M1 TERM. IP68



TE Part # 2329359-1
PN OFF/ON HC BLK M1 TERM IP68
500MM LHS




TE Part # 2329359-2
PN OFF/ON HC RED M1 TERM IP68
500MM LHS



TE Part # 2329361-3
PB OFF/ON RC YLW M1 TERM IP68
500MM L

Also in the Series | Alcoswitch PB7



Push Button Switches(30)

Customers Also Bought




TE Part #788153-2
One-Piece Connector, Sealed, CPC Series 1



TE Part #745253-6
20 DF SOCKET CONT L.P.



TE Part #2-320565-1
TERMINAL, PIDG R 16-14 8



TE Part #1658539-1
PIN CONT DUPL PLT STRIP HD-20



TE Part #81665-3
ECONOSEAL, FLANGE GASKET



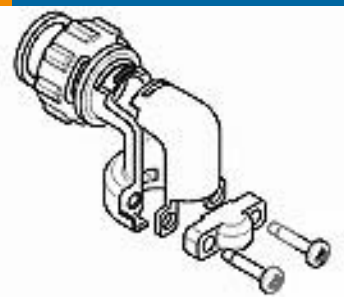
TE Part #2329359-9
PB ON/OFF HC GRE M1 TERM IP68 500MM LHS



TE Part #2329362-7
PB ON/OFF RC RED M1 TERM IP68 500MM LHS



TE Part #1-2329362-0
PB ON/OFF RC BLU M1 TERM IP68 500MM LHS



TE Part #1546347-2
R/A CABLE CLAMP KIT, SZ 11, CPC

Documents

Product Drawings

[PB ON/OFF RC YLW M1 TERM IP68 500MM LHS](#)

English

CAD Files

[3D PDF](#)

3D

Customer View Model

[ENG_CVM_CVM_2329362-8_A.2d_dxf.zip](#)

English

Customer View Model

[ENG_CVM_CVM_2329362-8_A.3d_igs.zip](#)

English

Customer View Model

[ENG_CVM_CVM_2329362-8_A.3d_stp.zip](#)

English

By downloading the CAD file I accept and agree to the [Terms and Conditions](#) of use.

Datasheets & Catalog Pages



[IP68 Sub Mini PB Data Sheet](#)

English